

# RP3117 - RP3117K

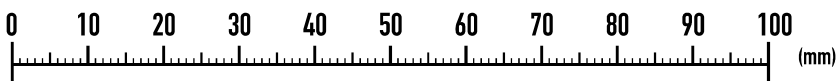
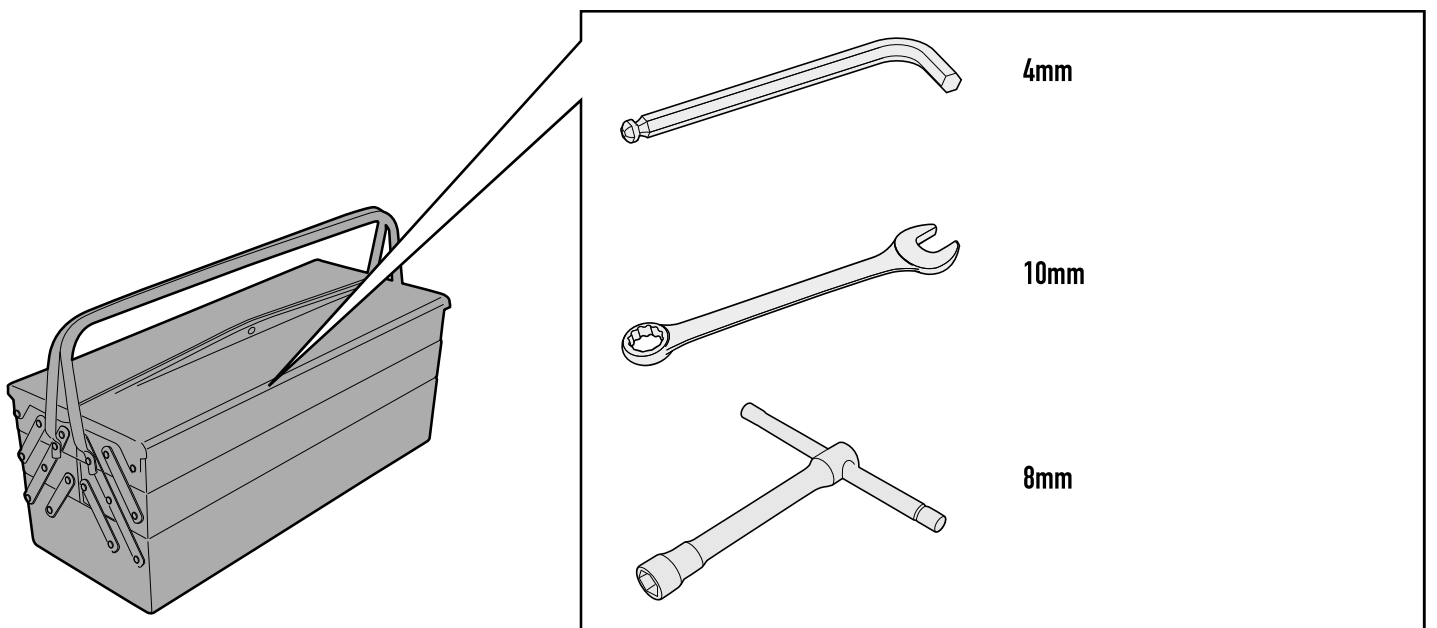
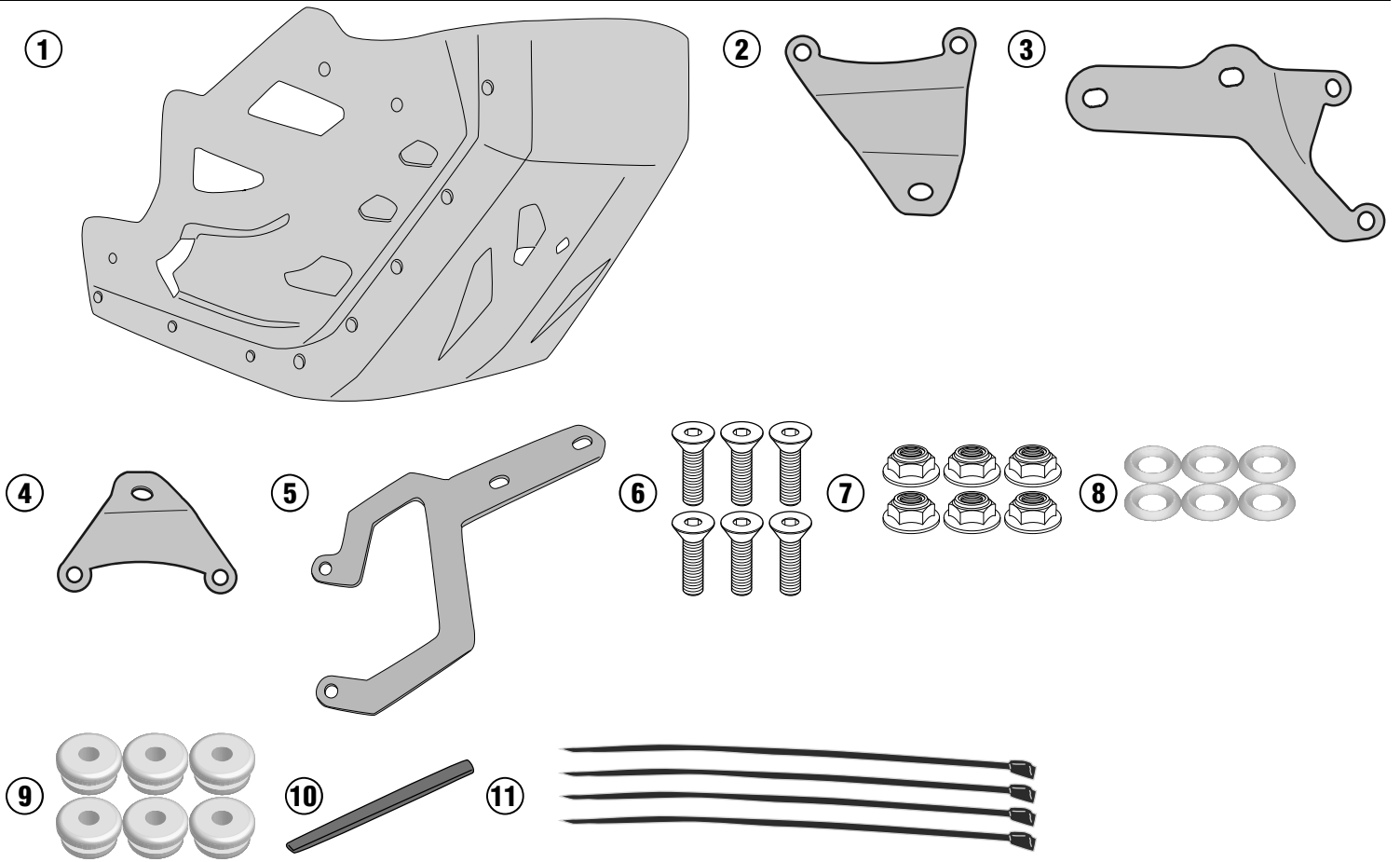
OIL CARTER PROTECTOR

## SUZUKI V-STROM 1050 (2020)

N°	Description	Features	Code	Quantity
1	Oil Carter Protector	-	RP3117V	1
2	Support	Fe360 Sp. 1,5mm	GL2715V	1 (Rear Left)
3	Support	Fe360 Sp. 1,5mm	GL2716V	1 (Front Left)
4	Support	Fe360 Sp. 1,5mm	GL2717V	1 (Rear Right)
5	Support	Fe360 Sp. 1,5mm	GL4415V	1 (Front Right)
6	Screw	TSPX M6x20 INOX	620TSPX	6
7	Bolt	Dado Auto Bloccante Flangiato Ribassato M6	6DADIABFL	6
8	Washer	INOX	200RON	6
9	Fairleader	-	Z269	6
10	Protective Rubber Pads	L. 135mm	Z2296	1
11	Clamp	-	Z2413	4
12	Original Parts	-	-	-

# RP3117 - RP3117K

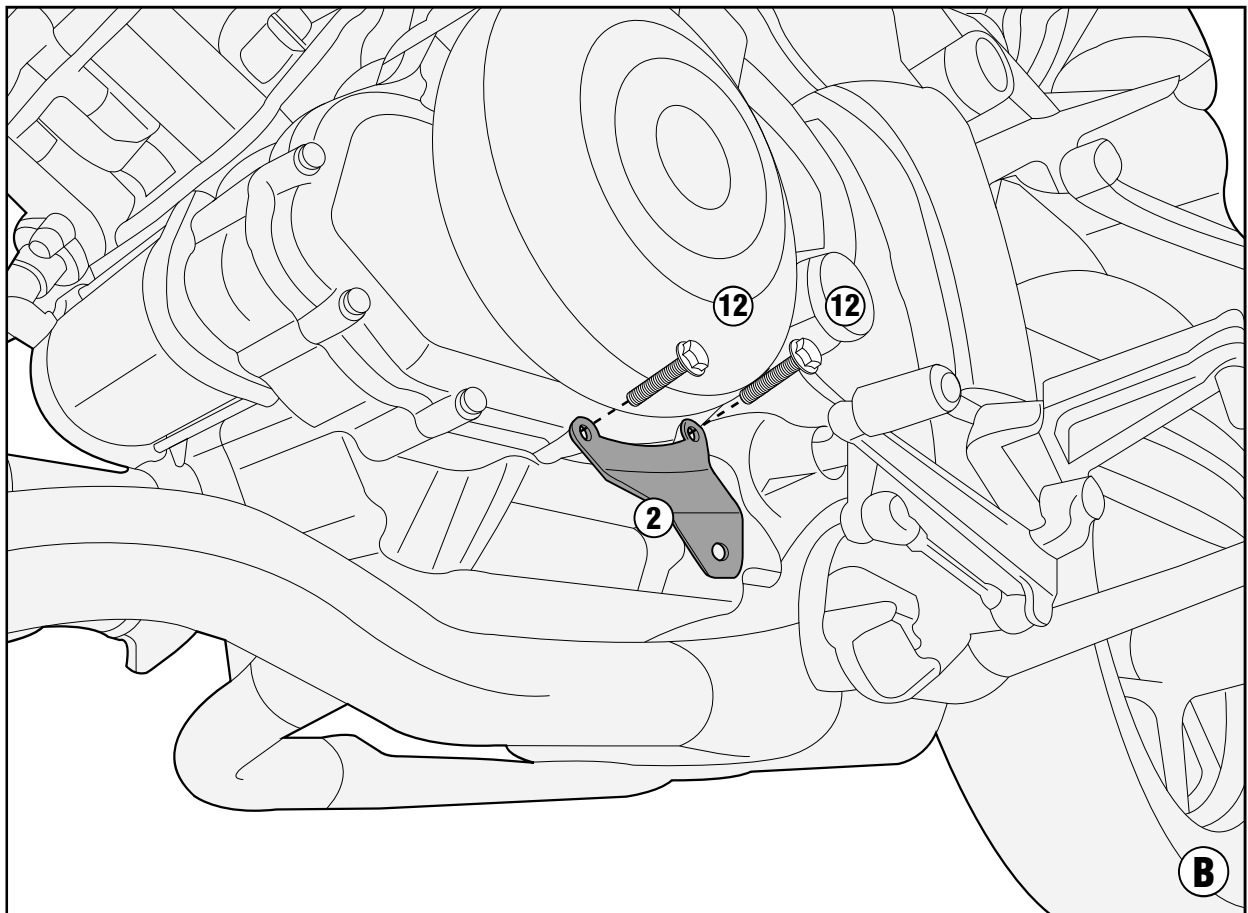
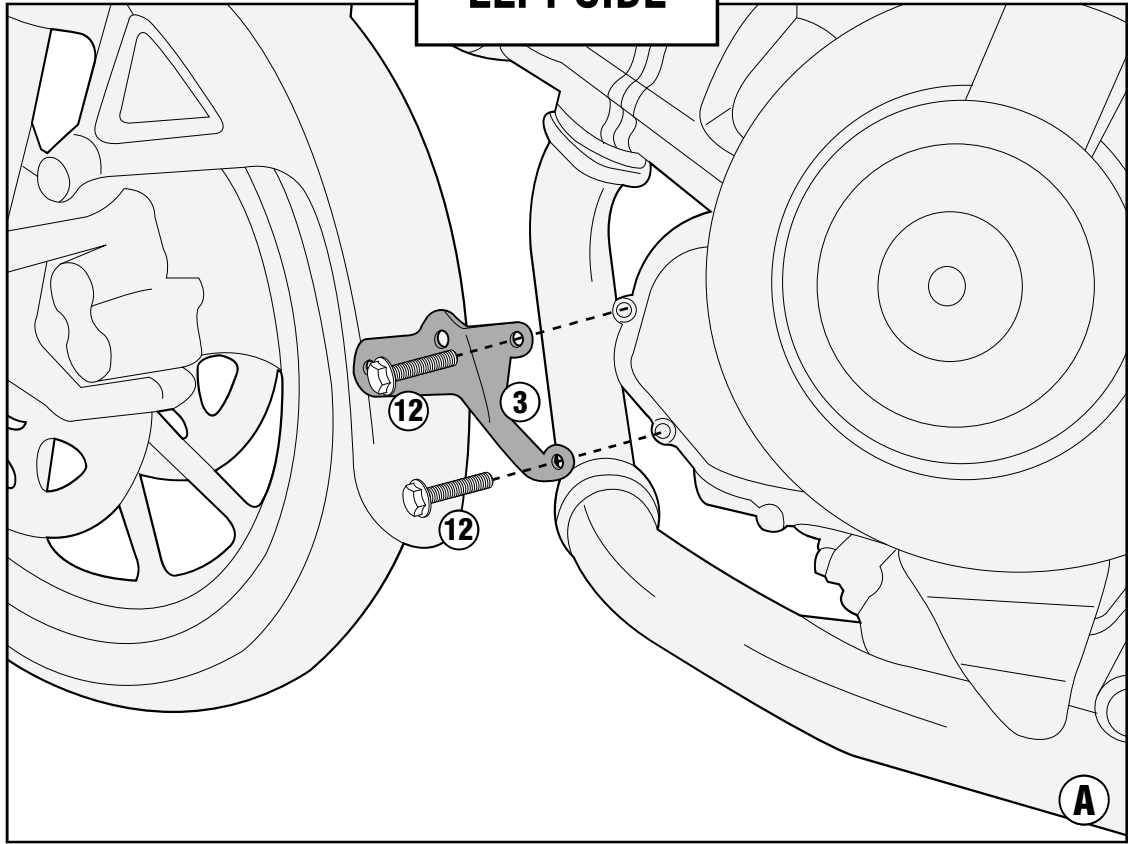
## SUZUKI V-STROM 1050 (2020)



# RP3117 - RP3117K

SUZUKI V-STROM 1050 (2020)

LEFT SIDE

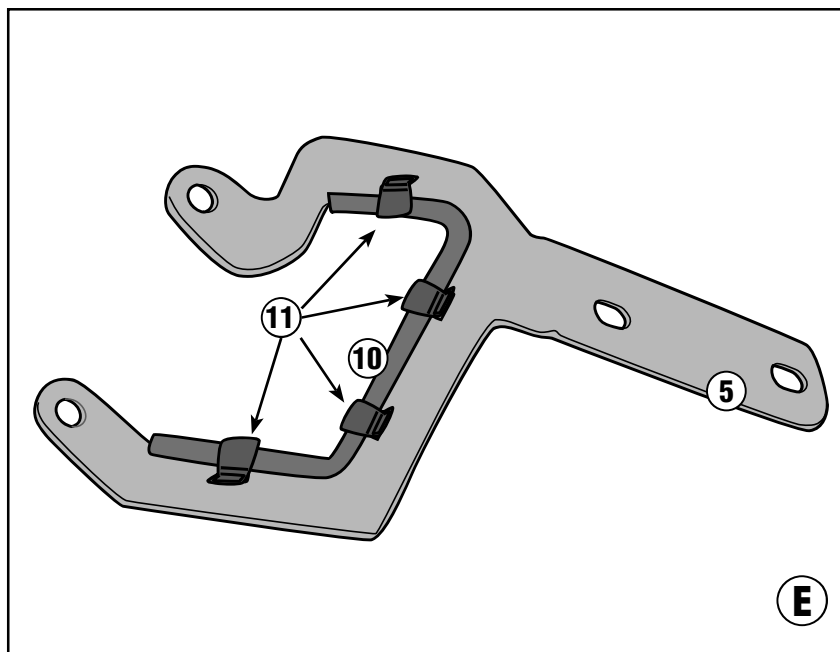
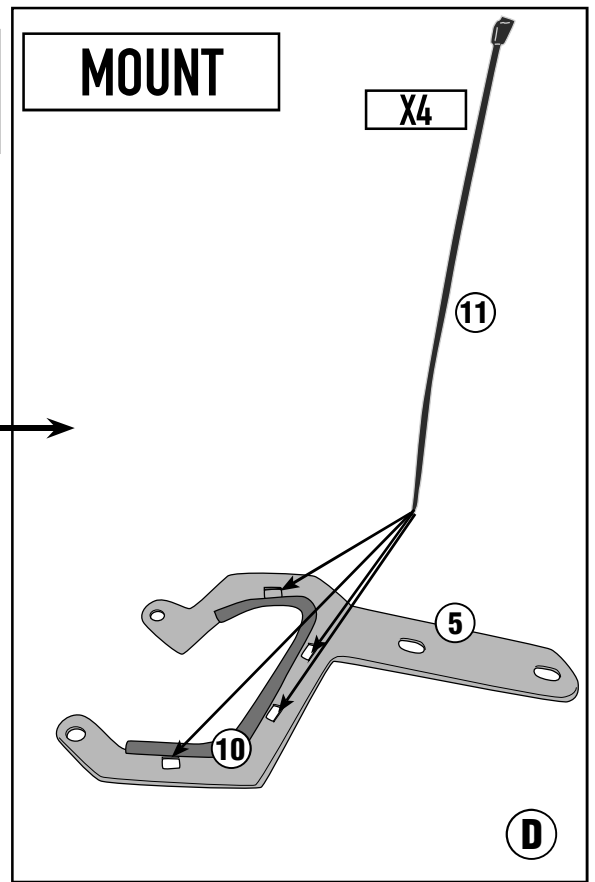
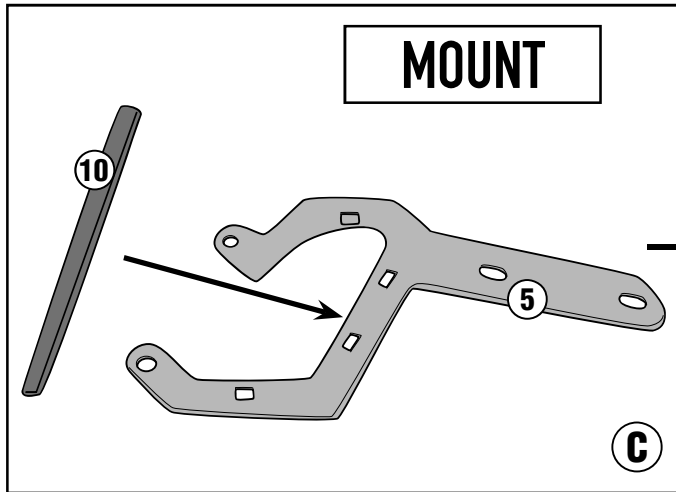


# RP3117 - RP3117K

SUZUKI V-STROM 1050 (2020)

RIGHT SIDE

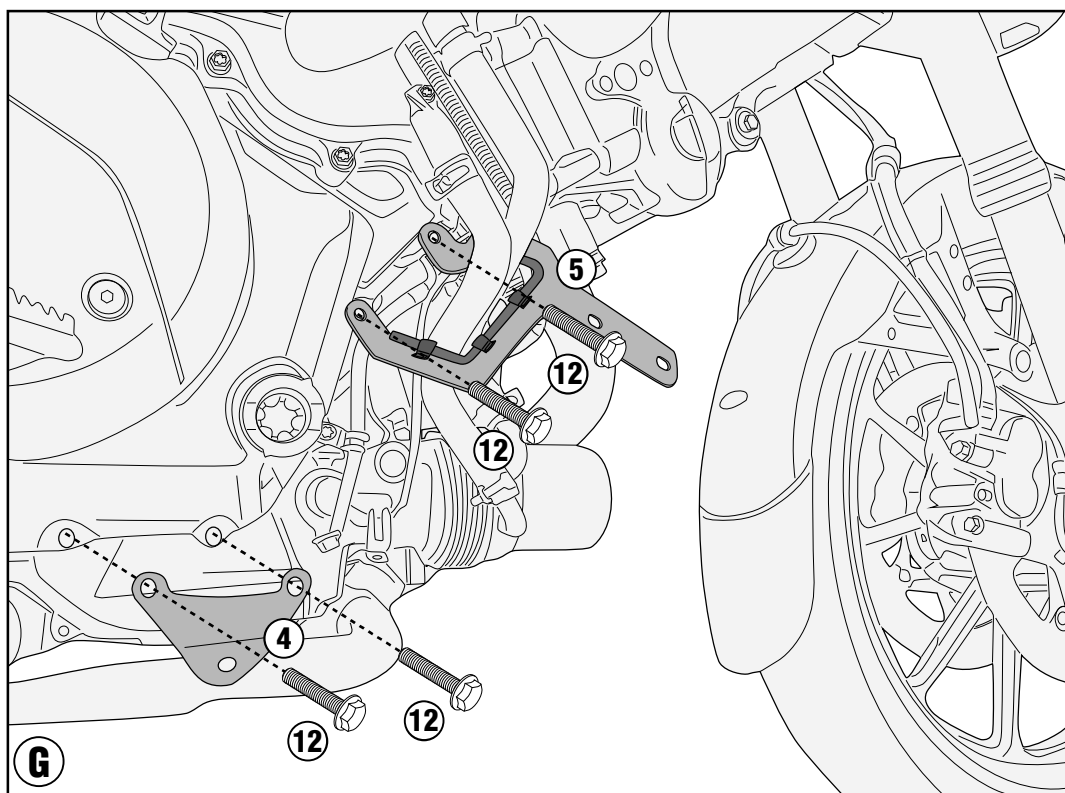
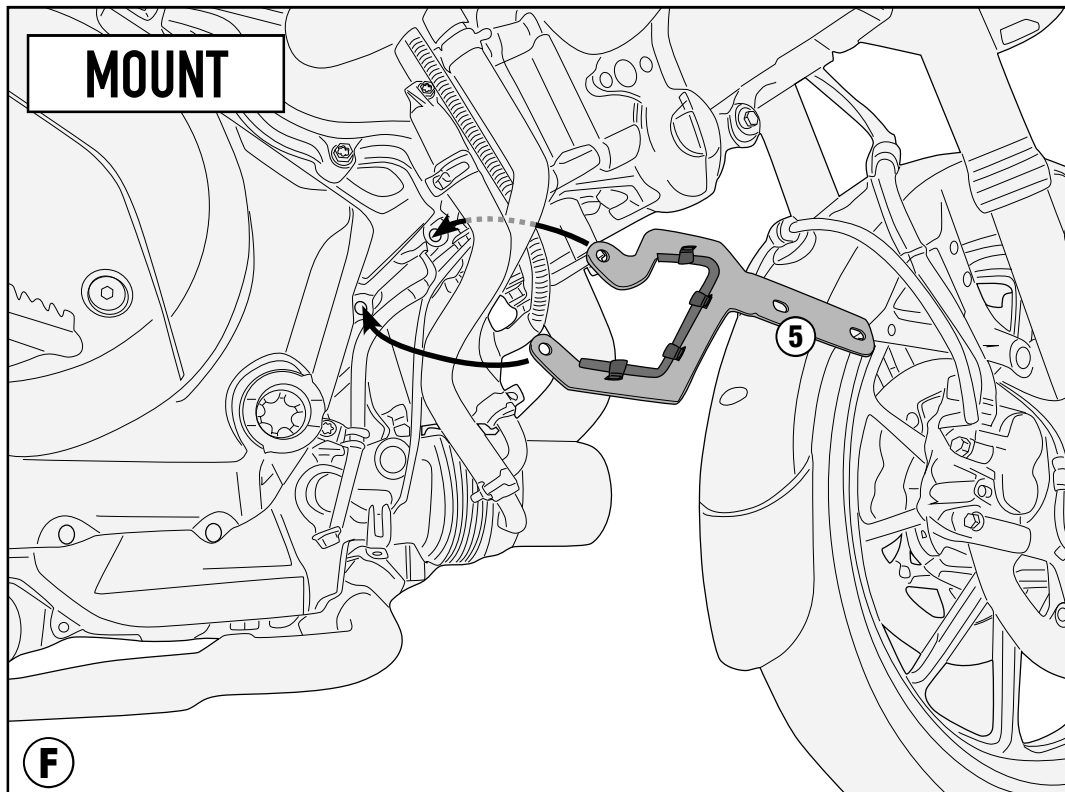
MOUNT



# RP3117 - RP3117K

SUZUKI V-STROM 1050 (2020)

## RIGHT SIDE



# RP3117 - RP3117K

SUZUKI V-STROM 1050 (2020)

