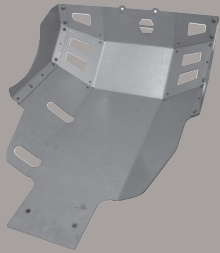












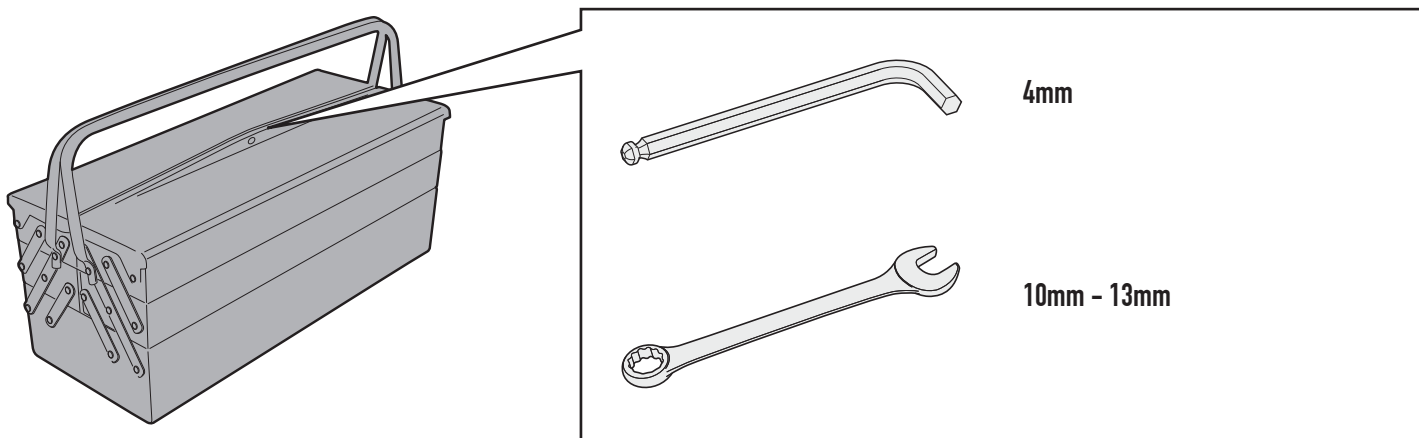
RP2119

OIL CARTER PROTECTOR

YAMAHA XT1200ZE SUPER TENERÉ (2014)

N°	Description	Features	Code	Quantity	
1	Oil Carter Protector			1	
2	Support		GL2207	1	
3	Support	Sp. 4mm	GL2663	1	
4	Screw	TCEI M8x25	825TCEI	2	
5	Screw	TE M8x20	820TE	2	
6	Screw	TBEI M8X20	820TBEI	2	
7	Bolt	Auto Bloccante Flangiato M8	8DADIAFLN	4	
8	Washer	Zigrinata Ø8	814RONZ	2	
9	Washer	Ø8x16	816RON	2	
10	Washer	Ø8x14	814RON	2	
11	Original Parts				
12	Spacer	Ø10x9.8 foro 8.2mm	V044	2	

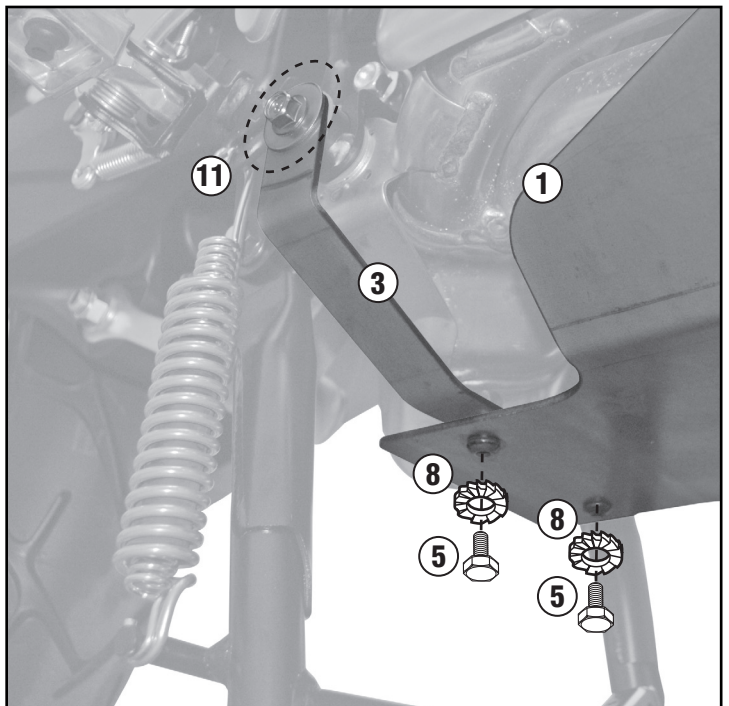
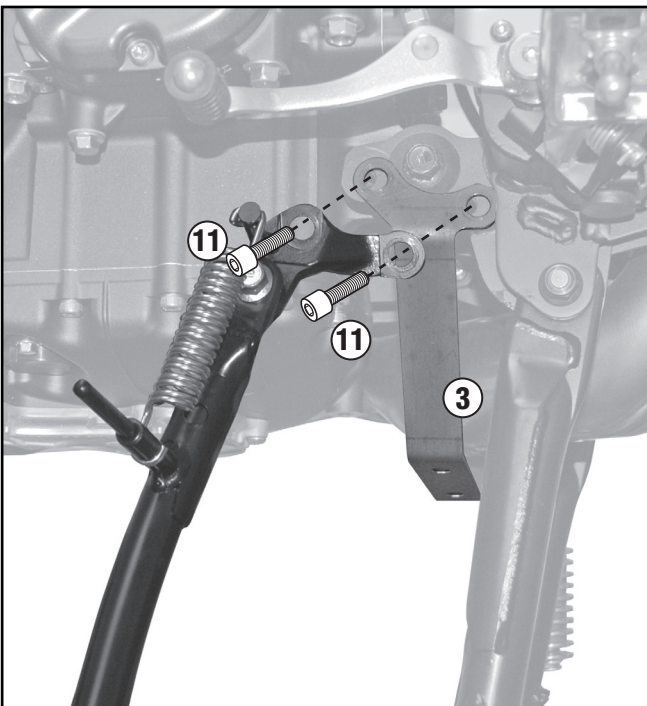
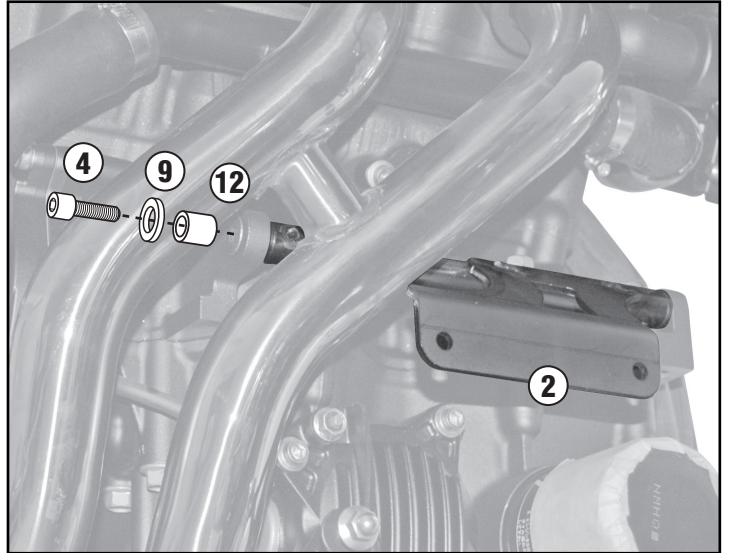
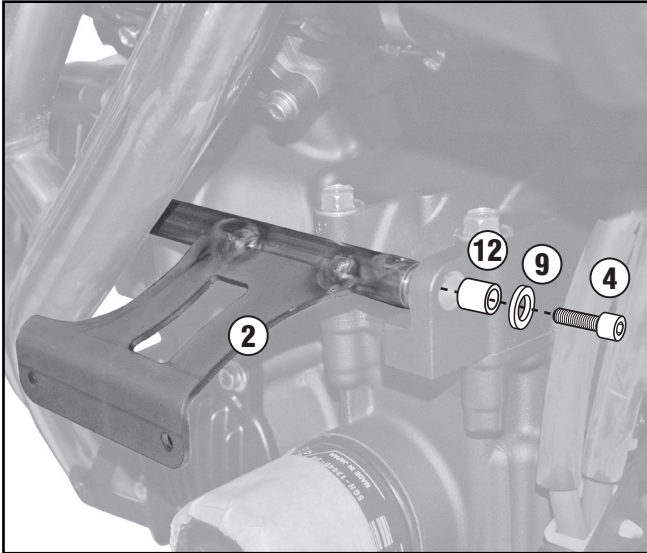
RP2119
OIL CARTER PROTECTOR
YAMAHA XT1200ZE SUPER TENERÉ (2014)



RP2119

OIL CARTER PROTECTOR

YAMAHA XT1200ZE SUPER TENERÉ (2014)



RP2119
OIL CARTER PROTECTOR
YAMAHA XT1200ZE SUPER TENERÉ (2014)

