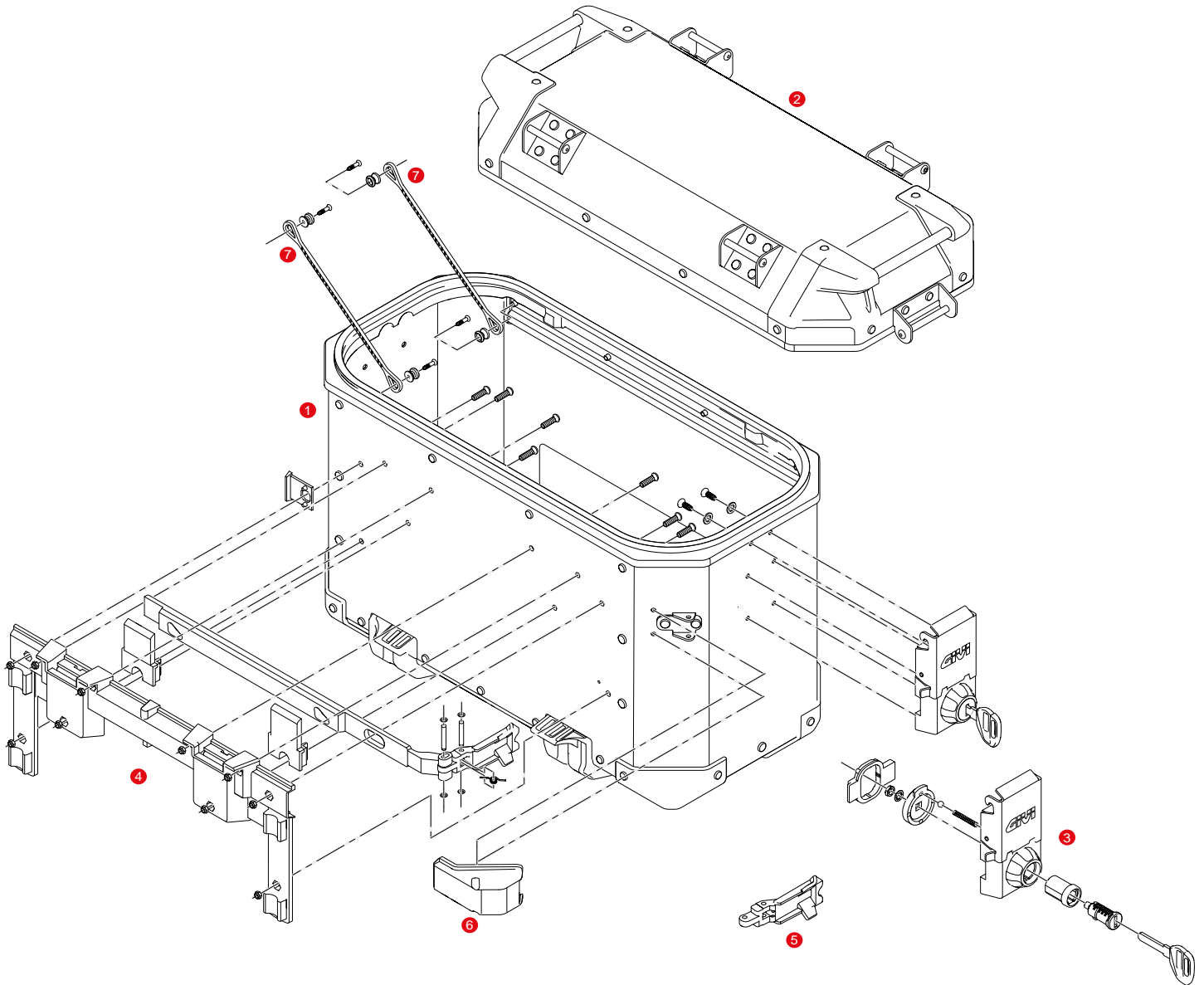


OBKN48A / OBKN48B / OBKN37A / OBKN37B TREKKER OUTBACK - SIDE-CASE



| | | |
|---|---------------------|----------------------------------------------------|
| 1 | ZOBK37ALFM ▲ | OBK37AL assembled Bottom Shell silver, left side |
| | ZOBK37BLFM ▲ | OBK37BL assembled Bottom Shell black, left side |
| | ZOBK37BRFM ▲ | OBK37BR assembled Bottom Shell black, right side |
| | ZOBK48BLFM ▲ | OBK48BL assembled Bottom Shell black, left side |
| | ZOBK48ARFM ▲ | OBK48AR assembled Bottom Shell silver, right side |
| | ZOBK48BRFM ▲ | OBK48BR assembled Bottom Shell black, right side |
| | ZOBKN37ALFM | OBKN37AL assembled Bottom Shell silver, left side |
| | ZOBKN37ARFM | OBKN37AR assembled Bottom Shell silver, right side |
| | ZOBKN37BLFM | OBKN37BL assembled Bottom Shell black, left side |
| | ZOBKN37BRFM | OBKN37BR assembled Bottom Shell black, right side |
| 2 | ZOBKN48ALFM | OBKN48AL assembled Bottom Shell silver, left side |
| | ZOBKN48ARFM | OBKN48AR assembled Bottom Shell silver, right side |
| | ZOBKN48BLFM | OBKN48BL assembled Bottom Shell black, left side |
| | ZOBKN48BRFM | OBKN48BR assembled Bottom Shell black, right side |
| | ZOBK37ALCM ▲ | OBK37AL assembled Top Shell silver, left side |
| | ZOBK37BLCM ▲ | OBK37BL assembled Top Shell black, left side |
| | ZOBK37BRCM ▲ | OBK37BR assembled Top Shell black, right side |
| | ZOBK48ALCM ▲ | OBK48AL assembled Top Shell silver, left side |

| | | |
|---|---------------------|-----------------------------------------------------------------------------|
| | ZOBK48BLCM ▲ | OBK48BL assembled Top Shell black, left side |
| | ZOBKN37ALCM | OBKN37AL assembled Top Shell silver, left side |
| | ZOBKN37ARCM | OBKN37AR assembled Top Shell silver, right side |
| | ZOBKN37BLCM | OBKN37BL assembled Top Shell black, left side |
| | ZOBKN37BRCM | OBKN37BR assembled Top Shell black, right side |
| | ZOBKN48ALCM | OBKN48AL assembled Top Shell silver, left side |
| | ZOBKN48BLCM | OBKN48BL assembled Top Shell black, left side |
| | ZOBKN48BRCM | OBKN48BR assembled Top Shell black, right side |
| 3 | Z4822SXMR | Left hinge stop |
| | Z4822DXMR | Right hinge stop |
| 4 | Z4810SXMR | Rear fitting system, left side |
| | Z4810DXMR | Rear fitting system, right side |
| | Z4827DXR | Replacement lever and arm Outback, right side |
| | Z4827SXR | Replacement lever and arm Outback, left side |
| 5 | Z4830R | Aluminium release lever for Trekker Outback 37 lt |
| | Z4831R | Aluminium release lever for Trekker Outback 48 lt |
| 6 | Z4812R | Angled cover |
| 7 | Z115R | Stop bag opening yarn, 2 pcs. |
| | SL101 | Security lock set including cylinder, 2 keys, bush and under lock platelets |
| | Z4912R | Trim |

FEATURES

