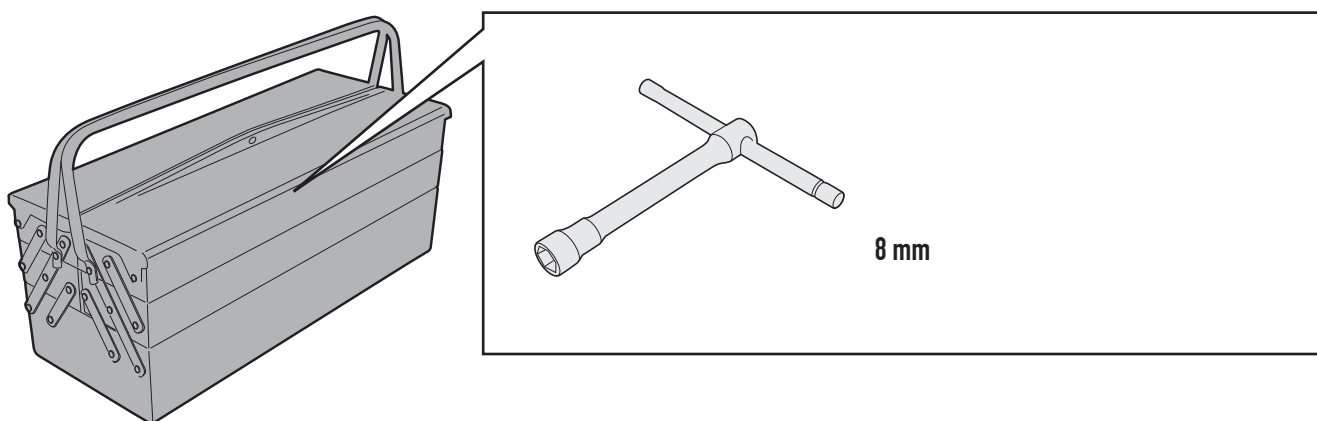


# GRT709

## SIDE BAGS 35+35LTRS

N°				
1	Side Bags 35+35Ltrs	-	GRT709	2(Right,Left)
2	Plate	-	Z7723	2(Right,Left)
3	Inner support	Sp.2mm	GL3813	8
4	Retaining clamp	16mm	Z9892	8
5	Retaining clamp	18mm TOP	Z9893	4
6	Retaining clamp	18mm LOW	Z9894	4
7	Adaptor	-	Z9895	4
8	Screw	TCEF M6x40	640TCEF	16
9	Washer	Ø6	6RON	16
10	Bolt	Dado Autobloccante M6 (H 8mm)	6DADIAU	16
Components Included In The PL/PLR/PL...CAM				
11		-	-	-

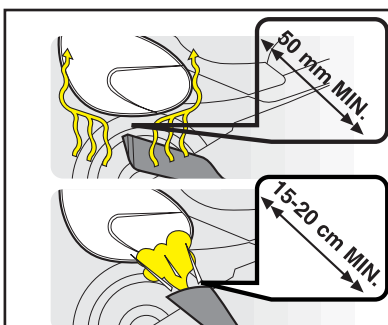


# GRT709

## SIDE BAGS 35+35LTRS



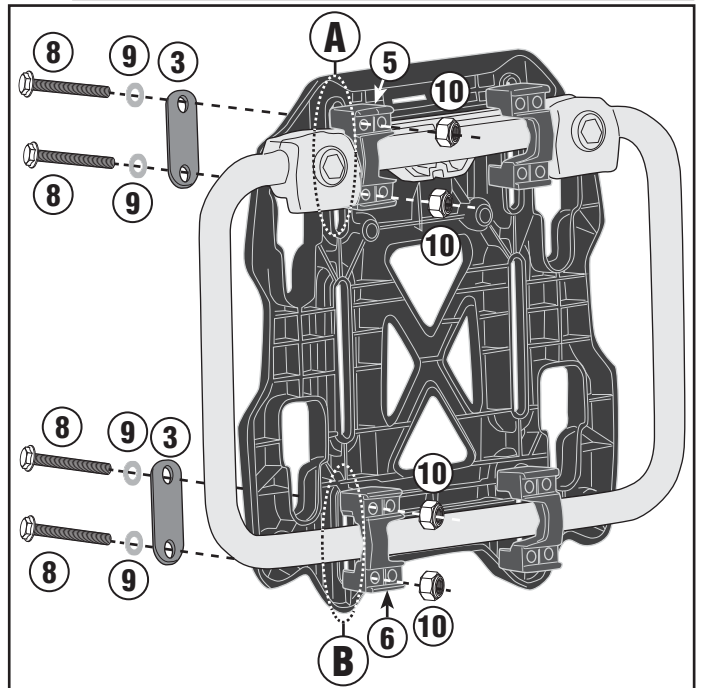
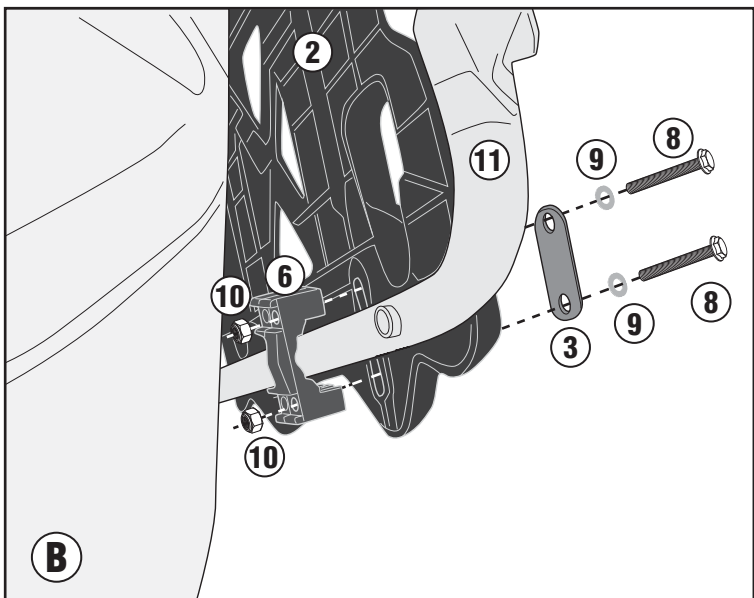
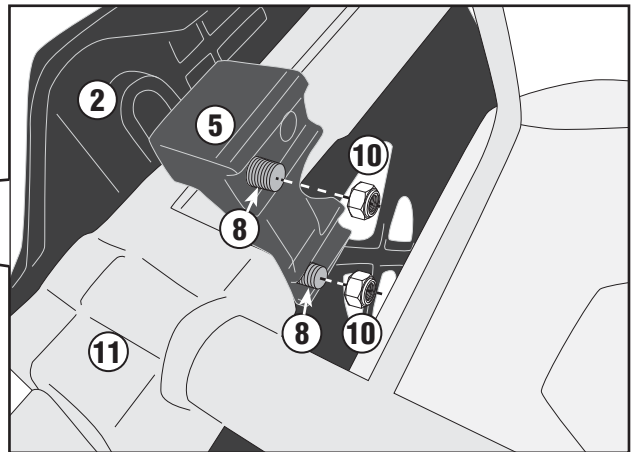
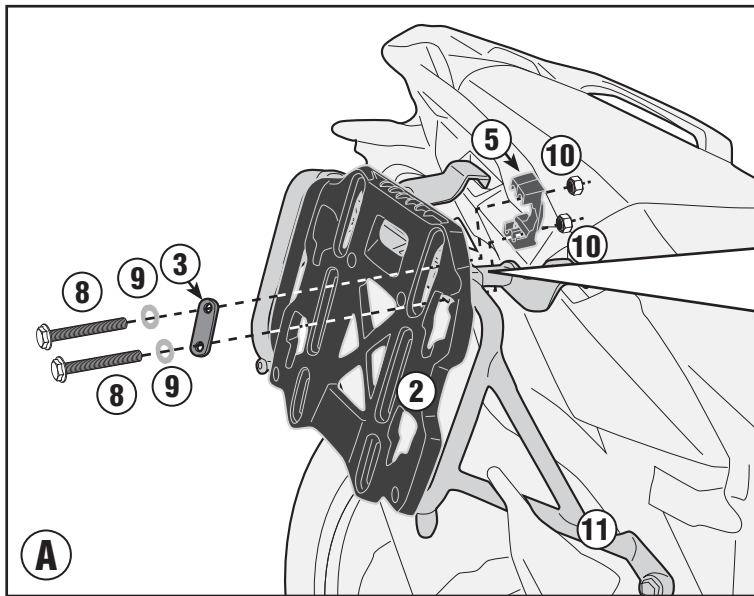
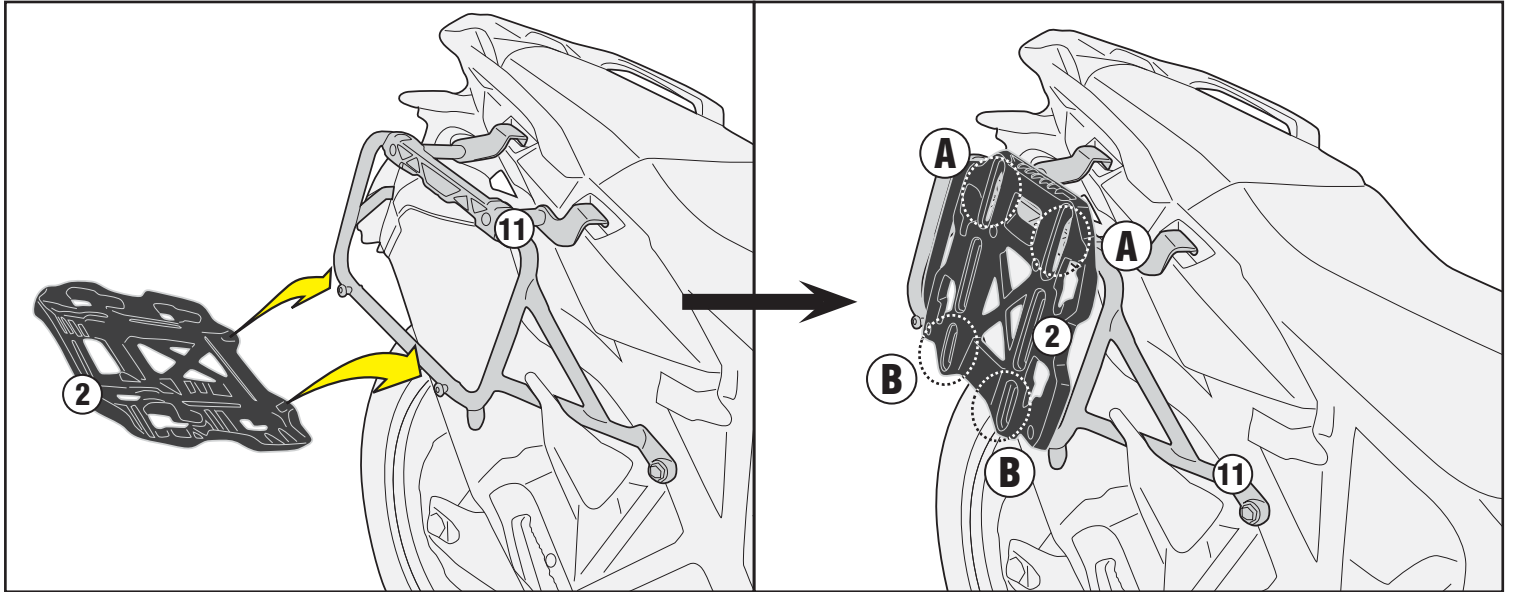
<b>SIZES</b> 	<b>VOLUME</b> <b>35+</b> <b>35lt</b>	<b>REMOVABLE DRY PACK</b> <b>IP65</b> 
<b>REFLECTIVE</b> 	<b>MODULAR</b> 	<b>SHOULDER STRAP</b> 
	<b>BELTS WITH CLIPS</b> 	<b>INNER POCKET</b> 



**WARNING:** Keep the bags a reasonable distance from the silencer. The heat and the exhaust could damage them.

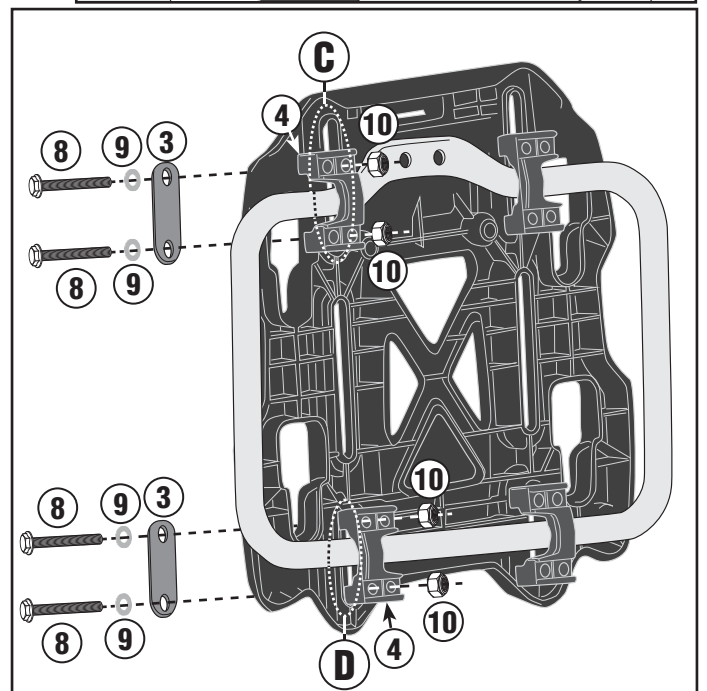
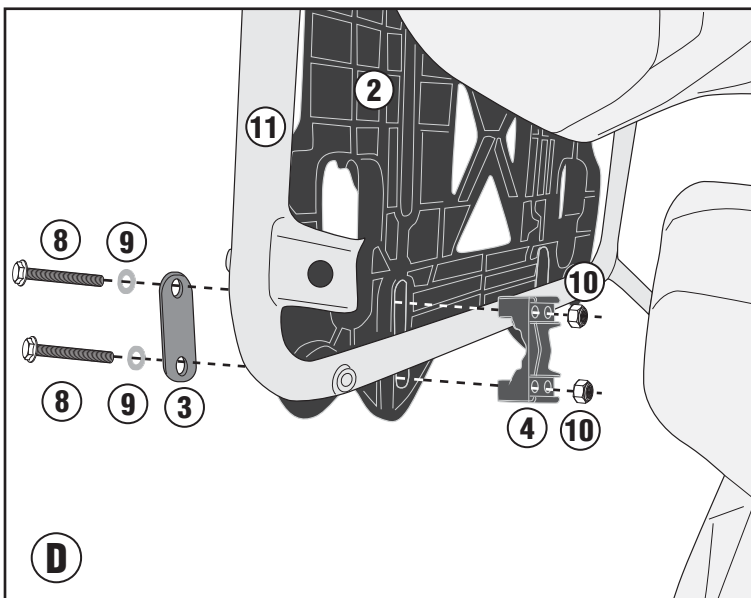
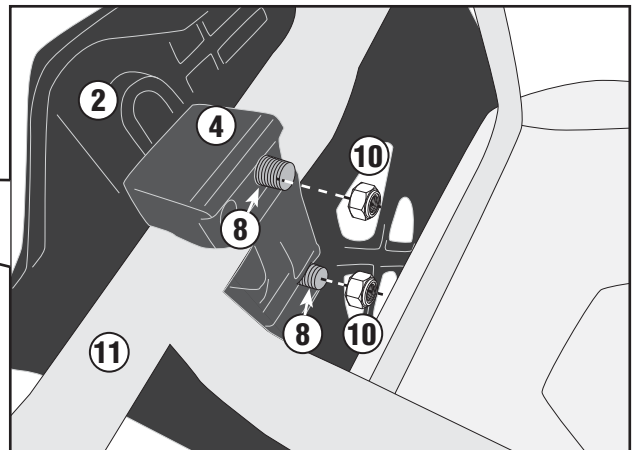
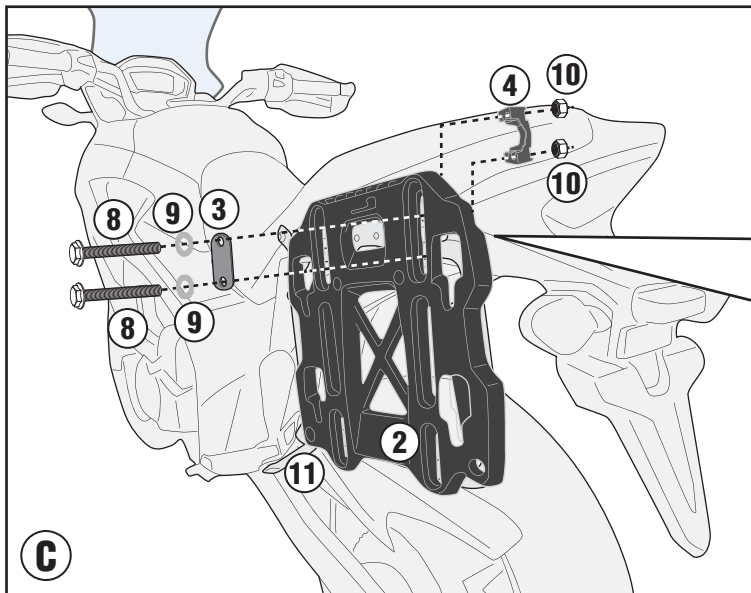
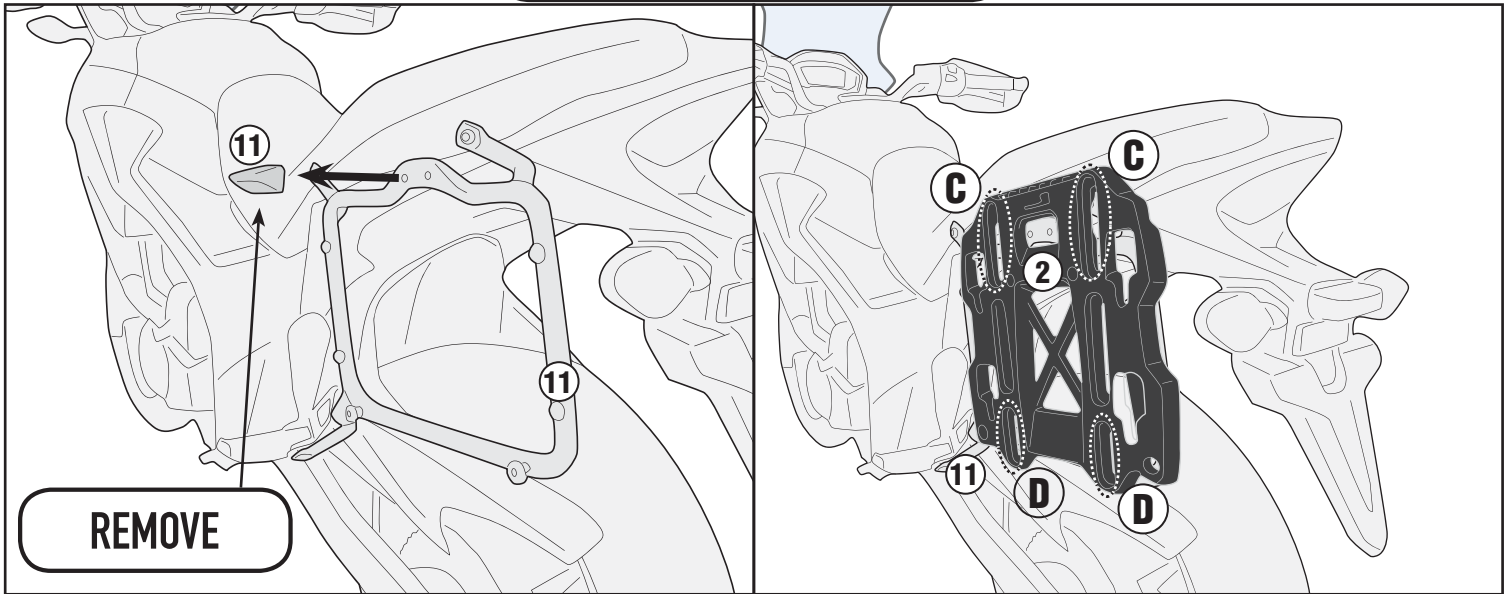
# GRT709

## MOUNTING ON PL...CAM

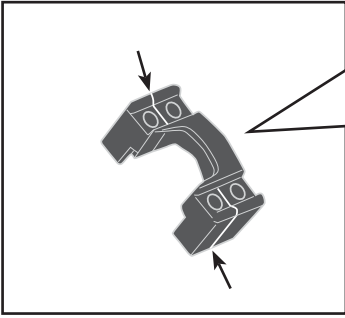


# GRT709

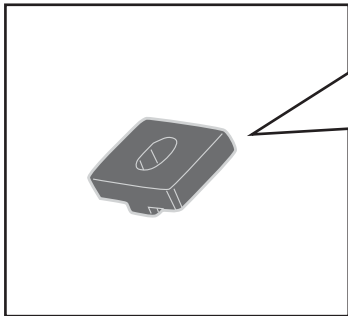
## MOUNTING ON PL/PLR



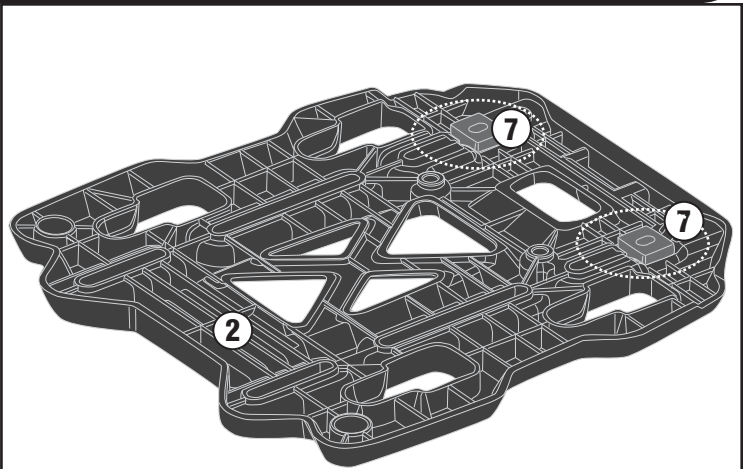
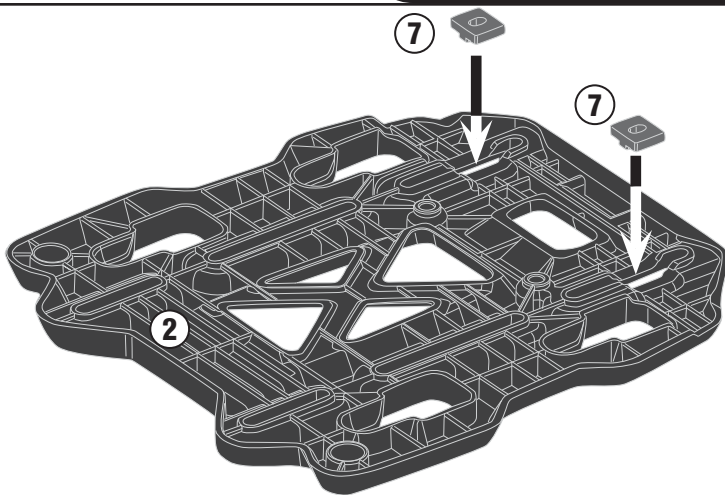
# GRT709



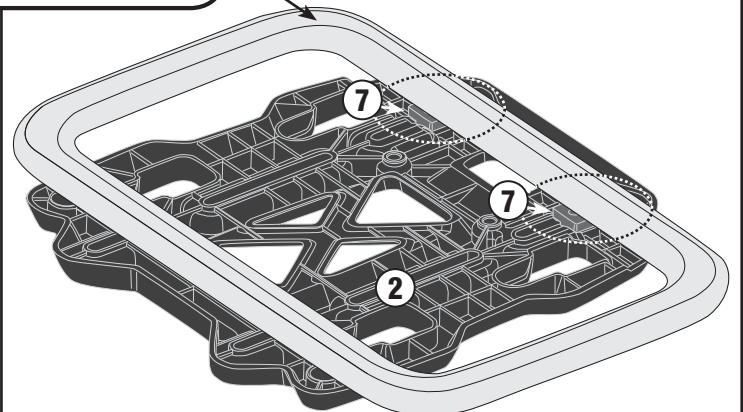
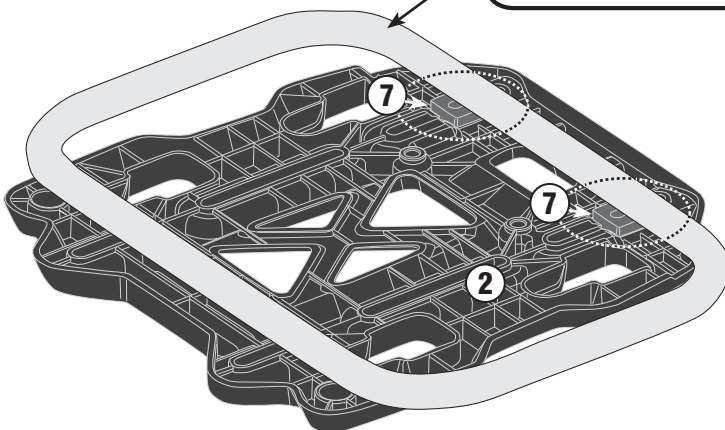
- Should the retaining clamp be incompatible with other components, remove the (pre-marked) excess with a hacksaw.



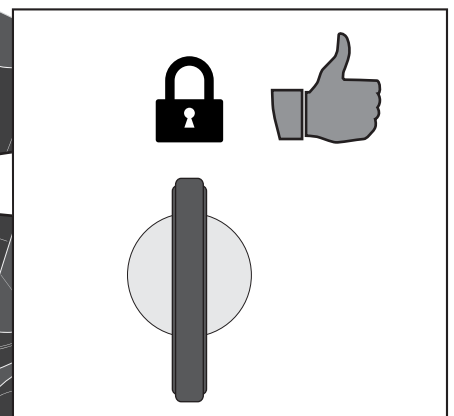
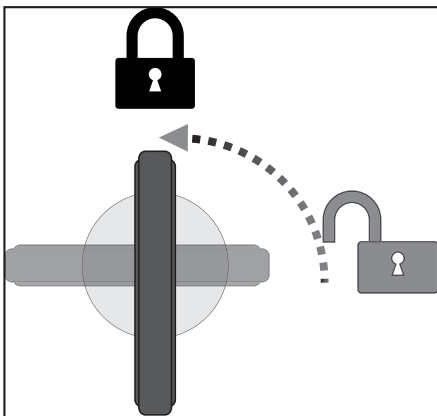
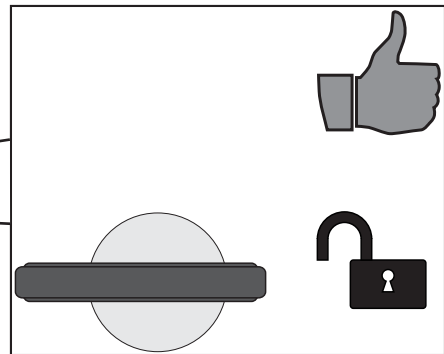
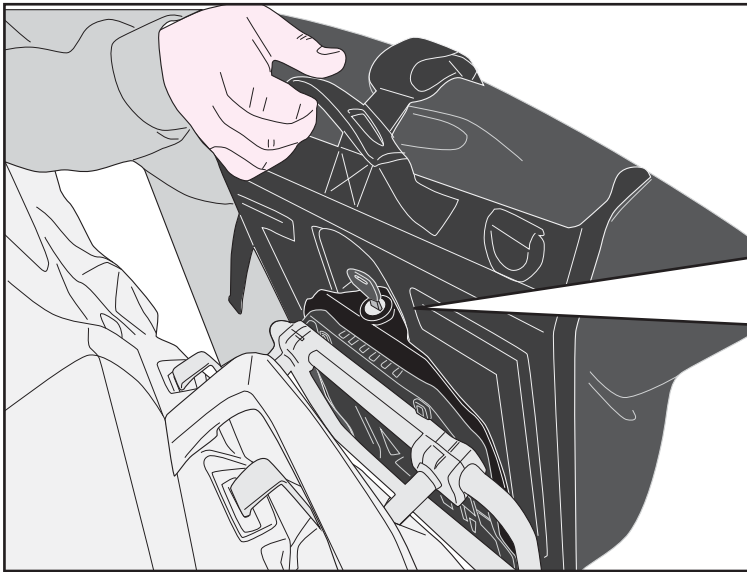
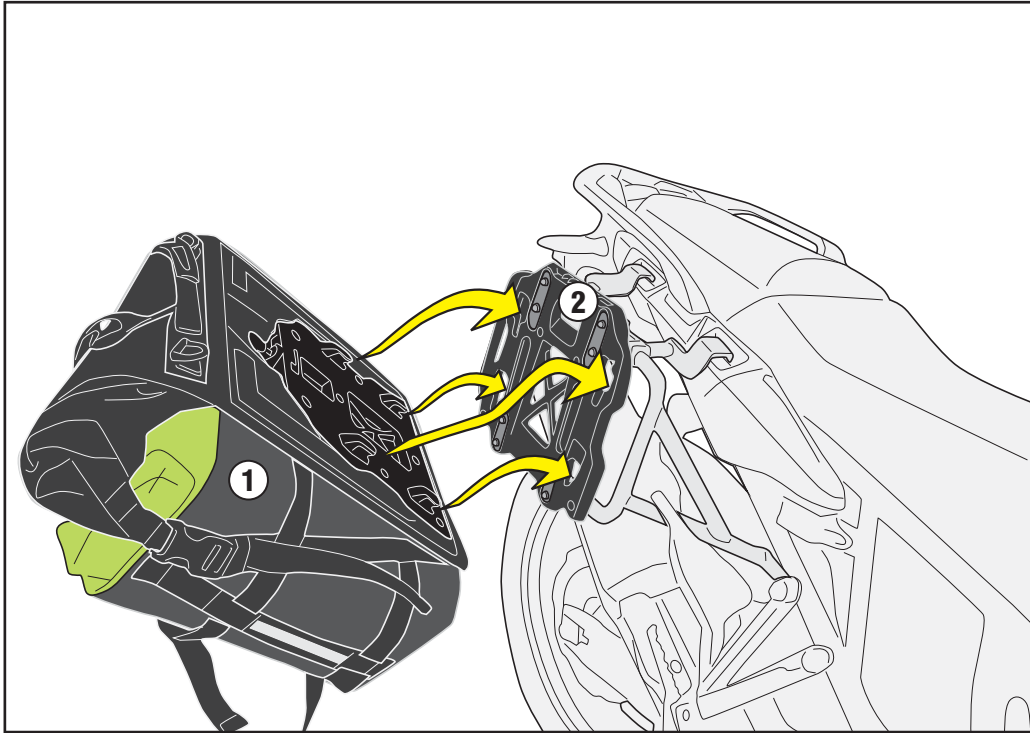
- Adapter to be used if the GRT709 is mounted on non-Givi frames and there is a need to eliminate any sagging between the elements.



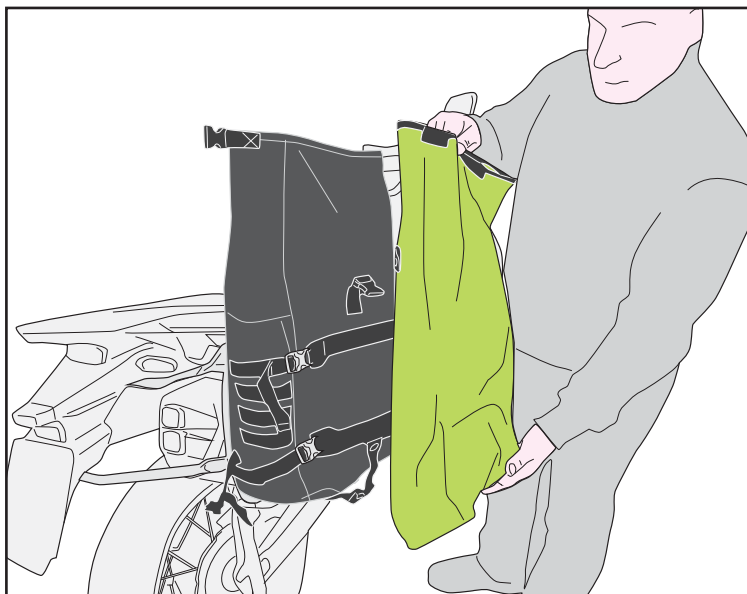
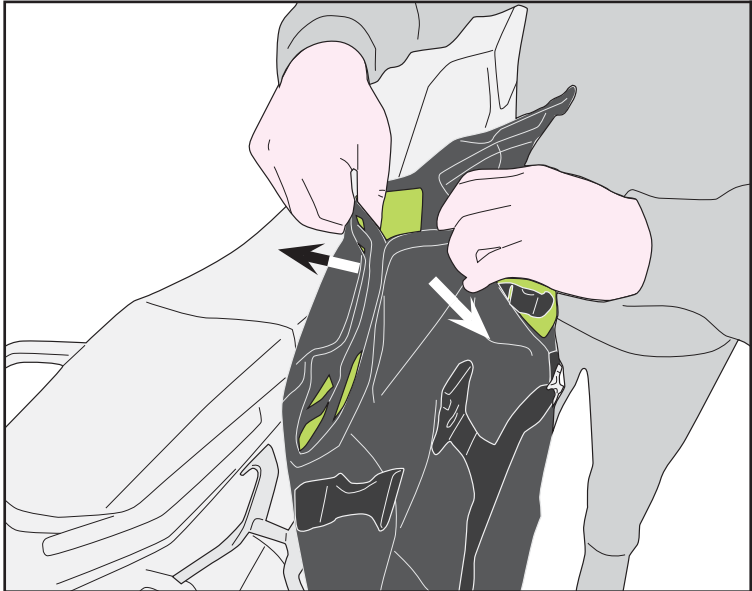
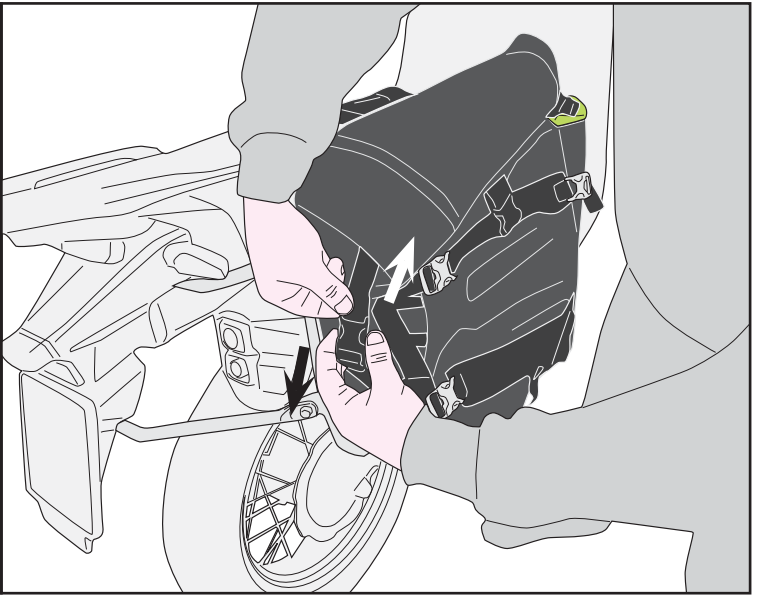
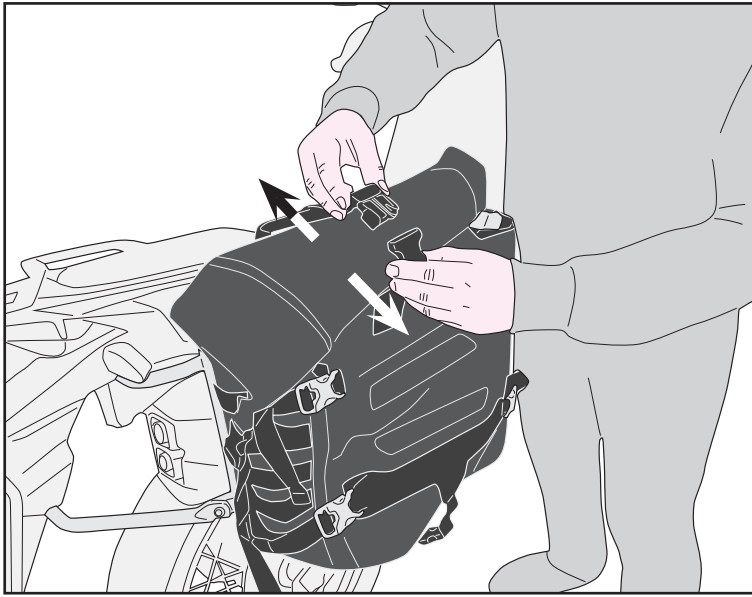
**OTHER FRAME (NOT GIVI)**



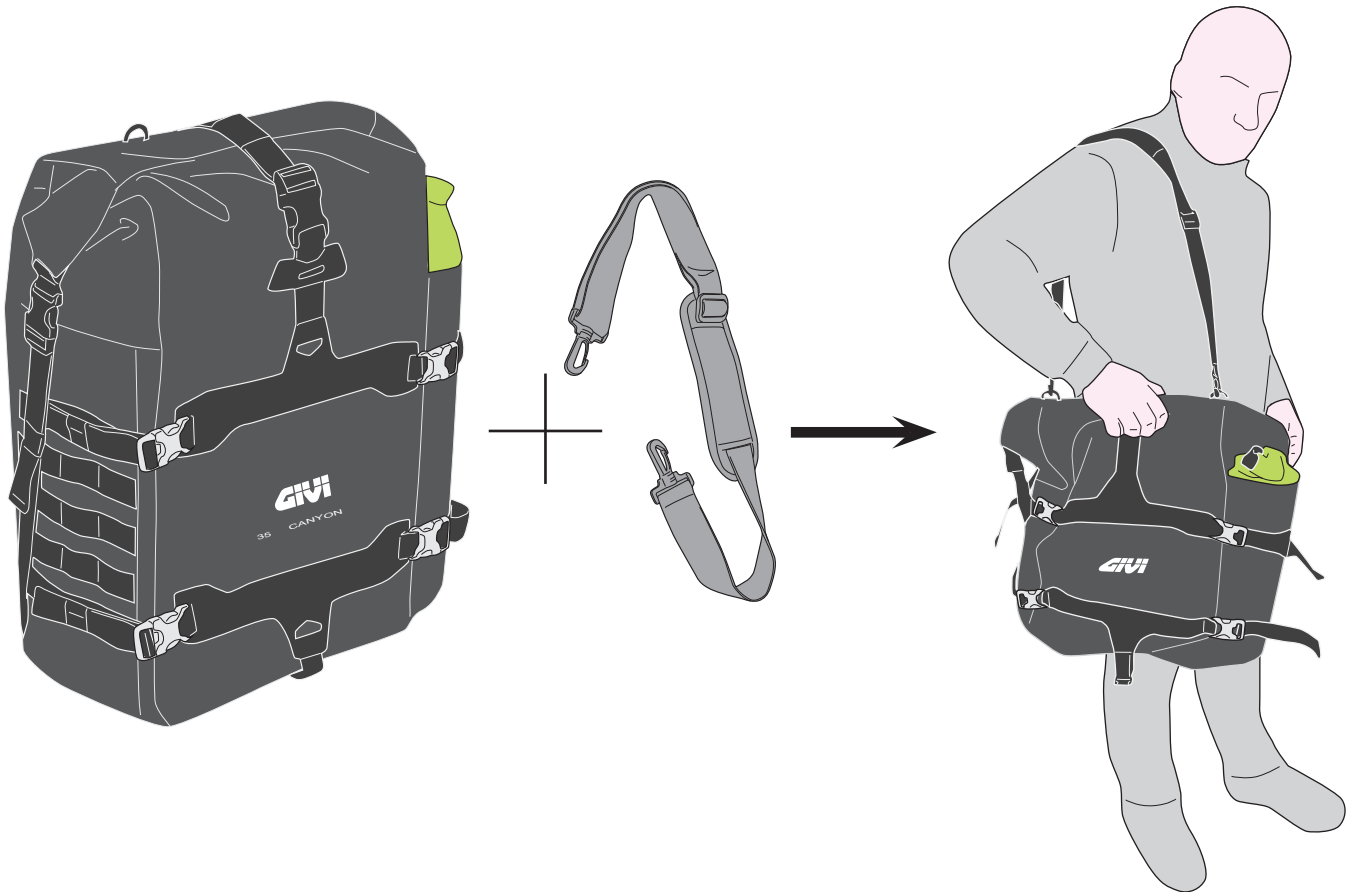
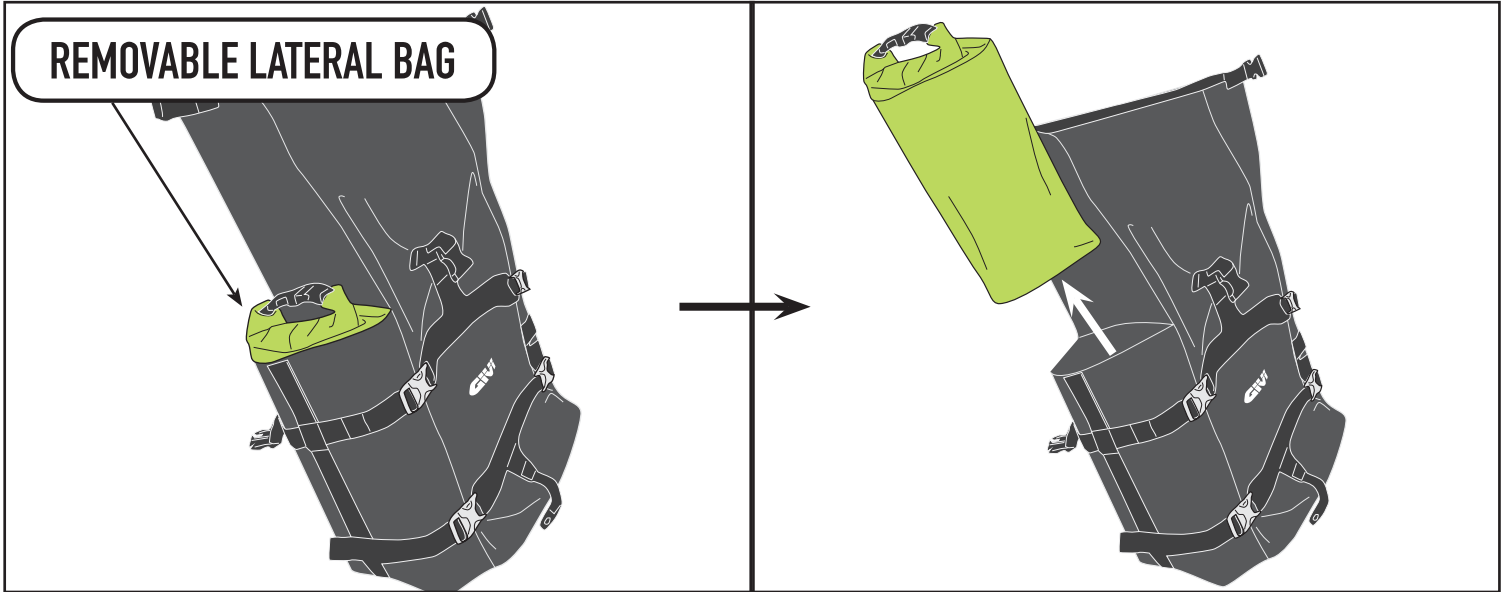
# GRT709



# GRT709



# GRT709



**- TO ENSURE WATER RESISTANCE, IT IS ESSENTIAL TO ROLL DOWN THE OPENING OF THE BAG 3 TIMES**



# GRT709

## MOLLE SYSTEM TOOLS

