

TEMPLATE FOR E450



art. E84

SPECIAL BACKREST

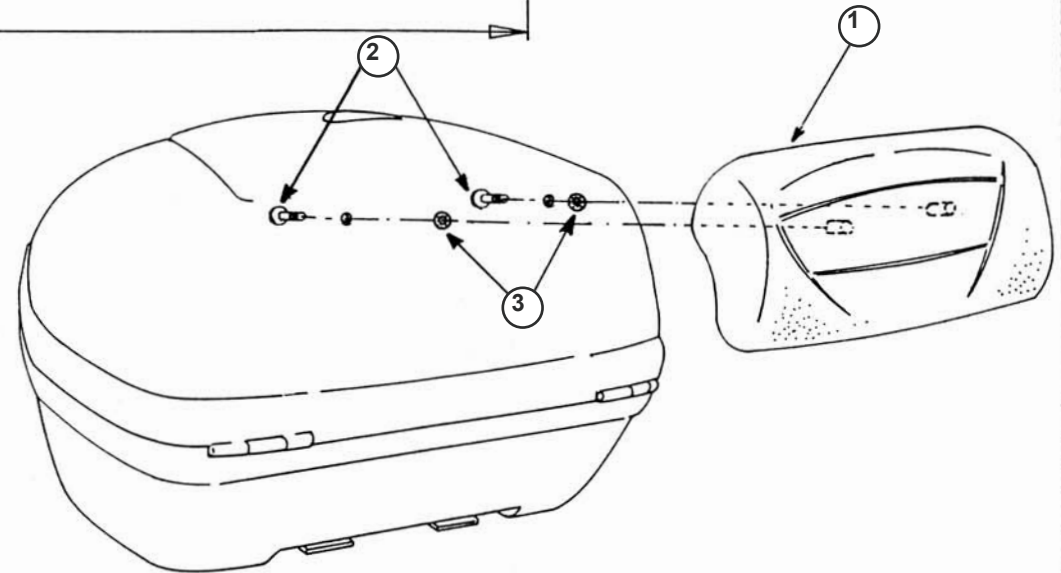
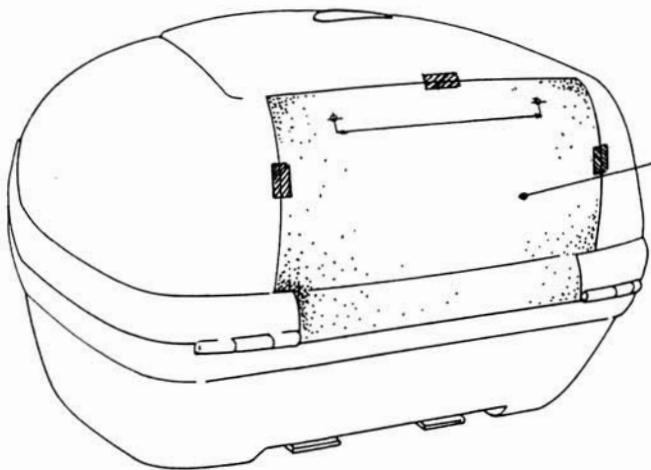
MOUNTING INSTRUCTIONS

Ø6,5mm

Ø6,5mm

BEFORE DRILLING HOLES CHECK THAT MEASURES ON TEMPLATE CORRESPOND

141mm



- INSTRUCTION FOR COVER DRILLING:

- CUT OUT ALONG THE DOTTED LINES AND PLACE THE TEMPLATE;

- DRILL IN THE TWO POINTS, BIT TO USE: DIAM 6,5mm, WE SUGGEST YOU TO DRILL FIRST WITH A SMALLER DIAM BIT.



N	DESCRIZIONE DEL KIT KIT DESCRIPTION DESCRIPTION DU KIT DESCRIÇÃO DO KIT	QUANTITÀ (QUANTITY) (QUANTITE) (QUANTIDADE)
1	SCHIENALINO (BACKREST) (DOSSERET) (ENCOSTO)	1
2	VITE TL M 6x 16 (SCREW M 6 x 16) (VIS M 6 x 16) (PARAFUSO M 6 x 16)	2
3	RONDELLA IN GOMMA Z267 RUBBER WASHER Z267 RONDELLE CAOUTCHOUC Z267 ARRUELA DE BORRACHA Z267	2

TEMPLATE FOR E35

GIVI

art. E84

SPECIAL BACKREST

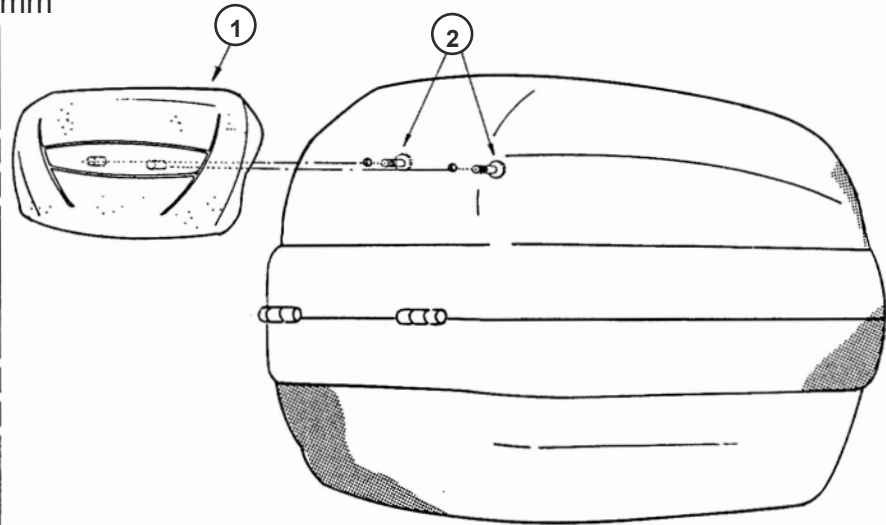
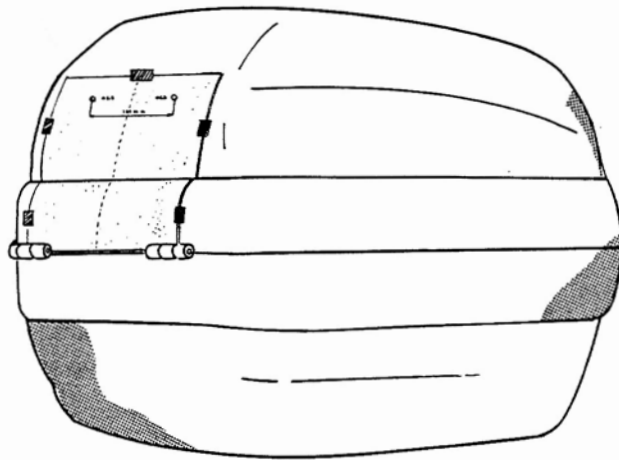
MOUNTING INSTRUCTIONS

Ø6,5mm

Ø6,5mm

BEFORE DRILLING HOLES CHECK THAT MEASURES ON TEMPLATE CORRESPOND

141mm



INSTRUCTION FOR COVER DRILLING:

- CUT OUT ALONG THE DOTTED LINES AND PLACE THE TEMPLATE;
- DRILL IN THE TWO POINTS, BIT TO USE: DIAM 6,5mm, WE SUGGEST YOU TO DRILL FIRST WITH A SMALLER DIAM BIT.

