

# E142B

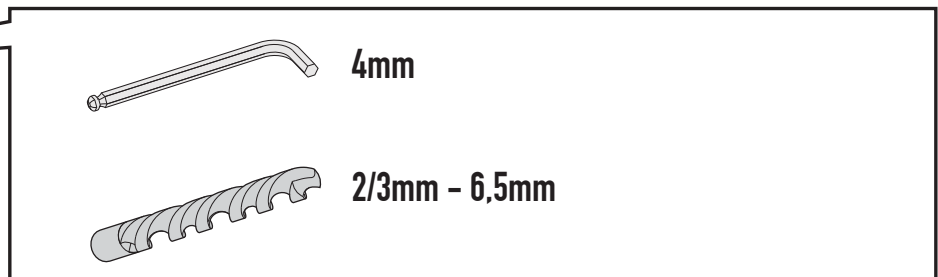
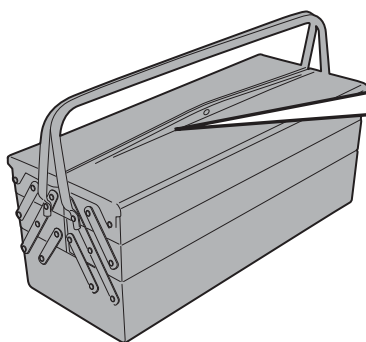
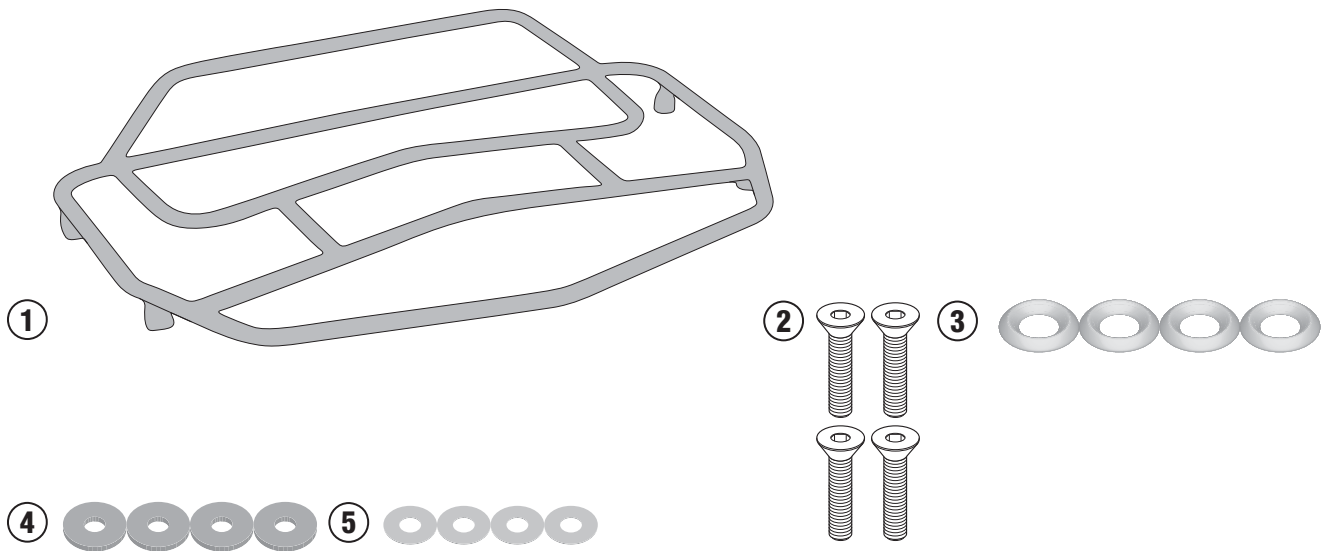
## CASE CARRIER FOR TRK52N - TRK52B

| N° |               |           |        |   |
|----|---------------|-----------|--------|---|
| 1  | Luggage Rack  | -         | E142BS | 1 |
| 2  | Vite          | TSP M6x16 | 616TSP | 4 |
| 3  | Washer        | -         | 200RON | 4 |
| 4  | Rubber Washer | -         | ORONG  | 4 |
| 5  | Washer        | -         | Z1979  | 4 |

- . Place the small carrier centrally on the lid, by matching the 2 rear feet to the transverse band (Fig. B);
- . Mark only the rear support points with a pencil (Fig. C);
- . Mark the center of the circle and drill with a small diameter tip. Enlarge the hole up to a diameter of 6.5mm;
- . Mount the small carrier, mark the 2 front feet and proceed as per the previous paragraph

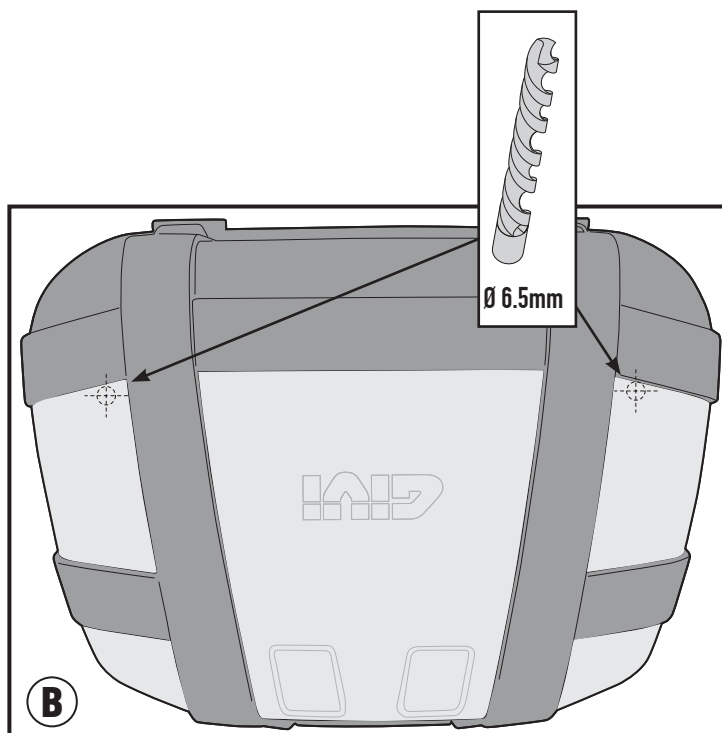
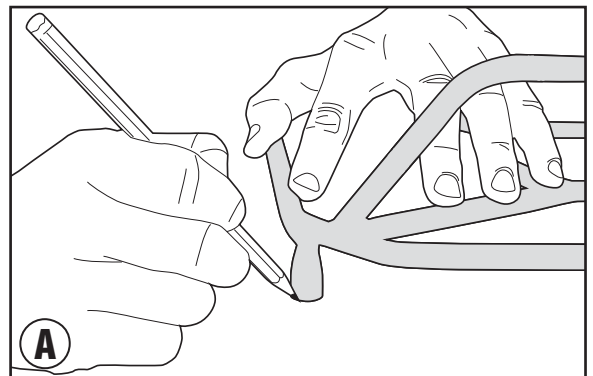
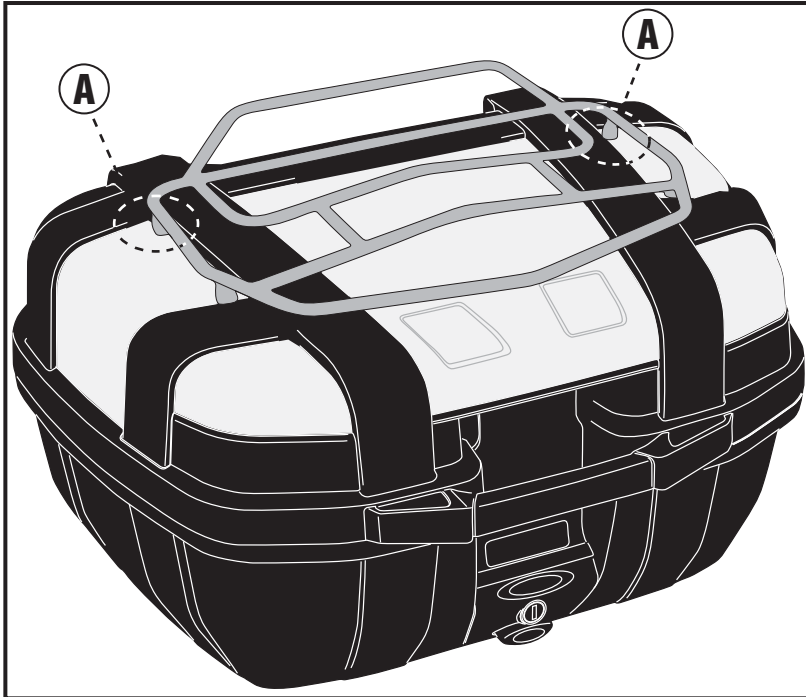
# E142B

## TRK52N - TRK52B



E142B

TRK52N - TRK52B



E142B

TRK52N - TRK52B

