

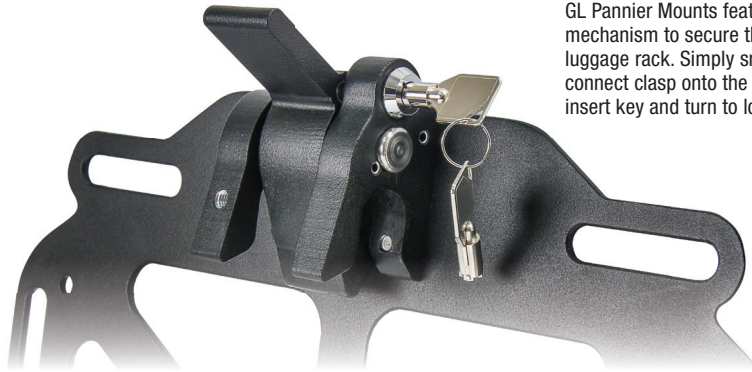


# GL PANNIER MOUNTS™

## MOUNTING AND INSTALLATION INSTRUCTIONS



NOTE: Failure to follow recommended mounting and installation instructions voids warranty. Manufacturer is not liable for any damage, injury or death that results from improper use and installation of products. By installing these products, user accepts all liabilities, terms and conditions outlined in the Liability & Warranty statement included here.



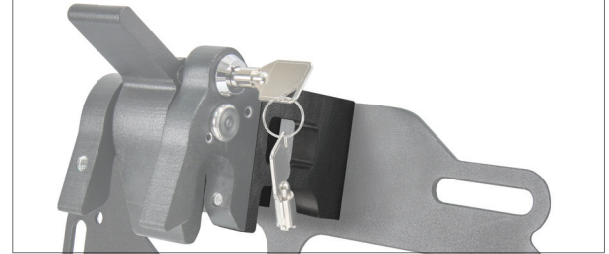
### KEY LOCK FOR EXTRA SECURITY

GL Pannier Mounts feature a locking mechanism to secure them to your luggage rack. Simply snap the quick-connect clasp onto the luggage rack, insert key and turn to lock.

### BMW R1200GS ADAPTER

GL Part No. PNMT-GSA

For the BMW R1200GS Adventure's OEM luggage rack, install the optional GSA Adapter blocks on the exhaust side GL Pannier Mount, between the mount plate and the quick-connect clasp.

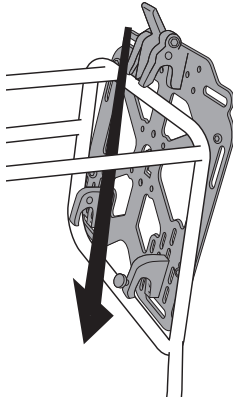


## PRE-FITTING

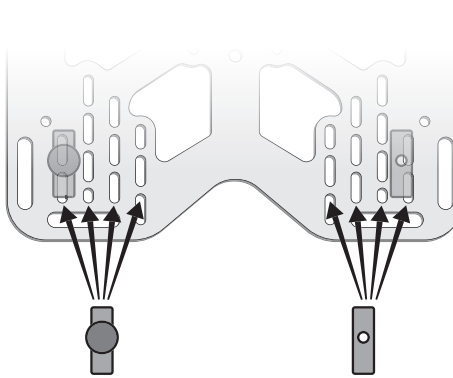
GL Pannier Mounts can be configured to fit an array of popular luggage rack designs by moving the location of the bottom mount hooks to one of four positions. Hooks can then be adjusted vertically for a snug, secure fit.

To determine bottom mount hook placements, test fit the GL Pannier Mounts starting with the pre-installed positions. Hooks can be moved to any of the four positions, and each of the two bottom hooks can be installed in the best location to avoid obstructions or contact with the motorcycle's exhaust system.

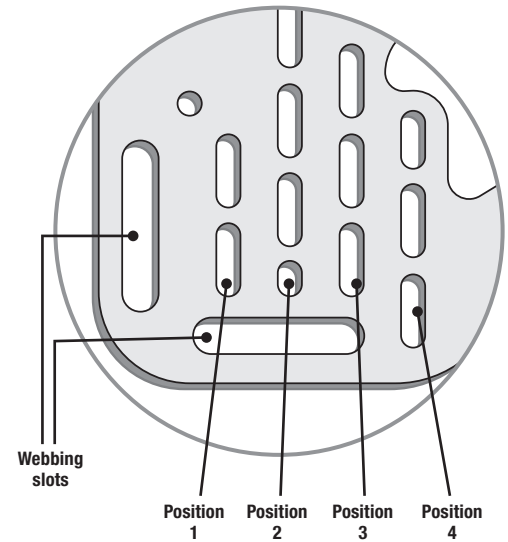
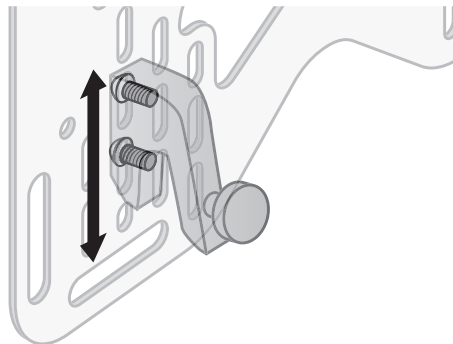
With hooks loosely fitted into their optimal positions, click the quick-connect clasp onto rack. Slide hooks in slots to create a solid, rattle-free fit.



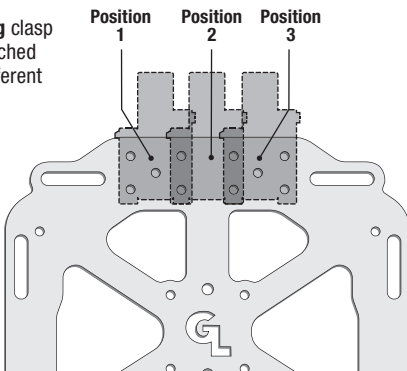
### HOOK POSITIONS



### VERTICAL ADJUSTMENT



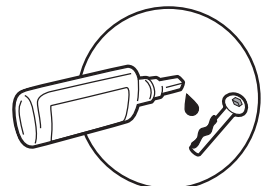
The locking clasp can be attached to three different positions



Use one of the four slot positions to locate mount hooks where they clear obstructions and hot exhaust. Adjust hooks vertically in slots for a tight fit when the quick-connect clasp is attached to the rack.

Insert thumbscrew in either bottom hook - whichever position avoids contact with exhaust or other obstructions. Loosen thumbscrew when connecting/disconnecting mounts and tighten to prevent hooks from sliding.

After hooks are properly positioned and adjusted, mark their locations and reinstall with blue medium-strength thread lock on bolts to prevent them from vibrating loose.

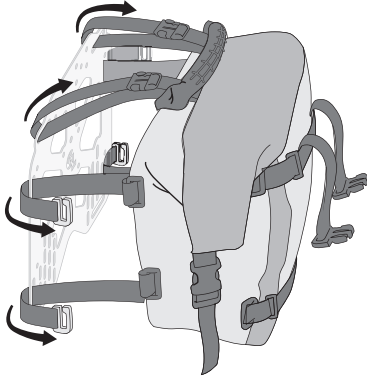


It is critical to ensure that no part of the Mounts makes contact with the bike's exhaust system. Position thumbscrew so it's accessible to finger tighten, and so it's not touching any part of the exhaust.

Although specifically designed for the GL Round The World Panniers and GL MotoTrek Panniers, GL Pannier Mounts are remarkably versatile. Pre-drilled holes provide easy installation of RotoPax® gas cans, water cans and accessories, and strap slots enable virtually any other gear, tools or bags to be secured to the GL Panniers with GL Pronghorn Straps.

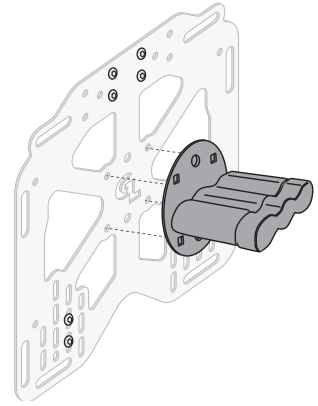
## MOTOTREKK® PANNIERS INSTALLATION

Simply thread anchor straps through the slots and tighten as indicated in your MotoTrek Panniers instructions.



## RotoPax® PANNIERS INSTALLATION

Bolt RotoPax® mount onto GL Pannier Mount using four pre-drilled holes, then attach gas can, water can or tool box. To save weight, the RotoPax mount without base plate can also bolt directly to GL Pannier Mounts using two pre-drilled holes.



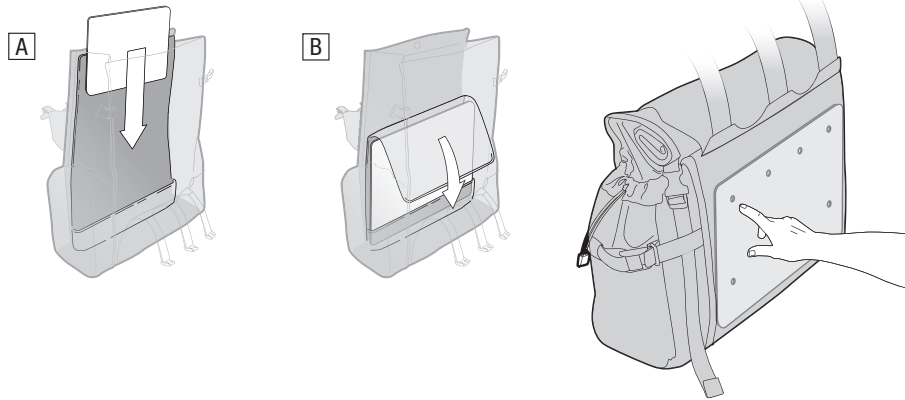
## ROUND THE WORLD PANNIERS INSTALLATION

RTW Panniers include frame sheets, with pre-drilled holes for your GL Pannier Mounts. If installing another manufacturer's mounting system, please refer to their instructions.

### 1 LOCATE PRE-DRILLED HOLES

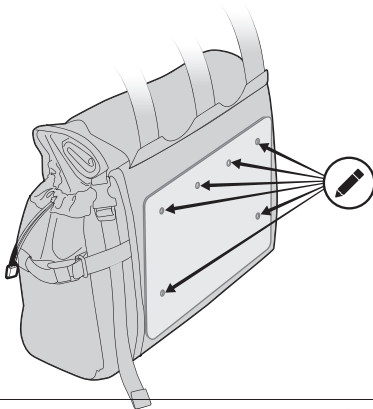
Insert framesheets into RTW Panniers (A) and secure in place by attaching framesheet cover inside Panniers (B).

On the wheel side of your RTW Panniers, use your hand to locate the pre-drilled holes on the enclosed framesheet. You will be able to feel the six slight indentations with your fingers.



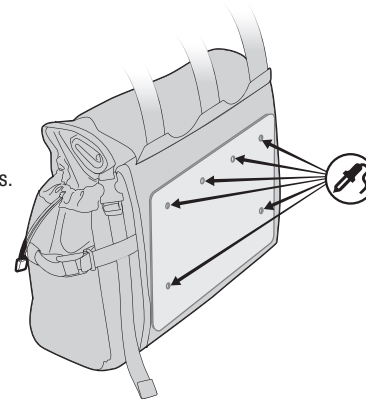
### 2

Use a ball point pen to mark hole locations where the mounting hardware passes through the Pannier. Repeat on second Pannier.



### 3 MELT HOLES IN RTW PANNIERS

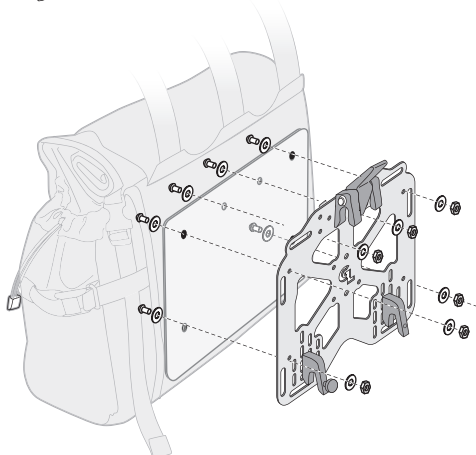
In a well ventilated space, and while holding framesheet cover out of the way inside the Panniers, use a hot soldering iron to carefully melt holes through fabric on wheel side of Panniers. If you do not have a soldering iron, the holes may be burned with a nail held with locking pliers and heated with a torch, or carefully drilled. Make holes just large enough for hardware to pass through fabric.



### 4 SECURE GL PANNIER MOUNTS TO RTW PANNIERS

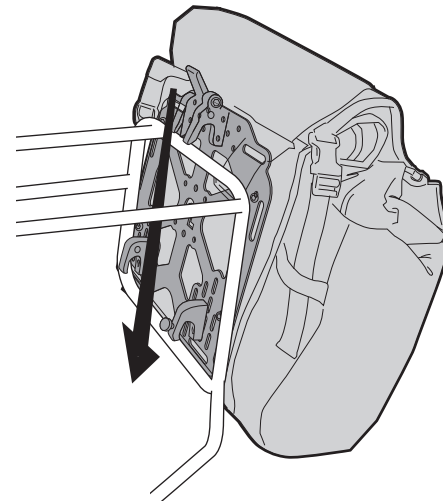
Using the enclosed (6) bolts and (6) nuts and (6) washers, secure the Pannier Mounts to the RTW Panniers.

Bolt through from the inside, with nuts on the wheel side.

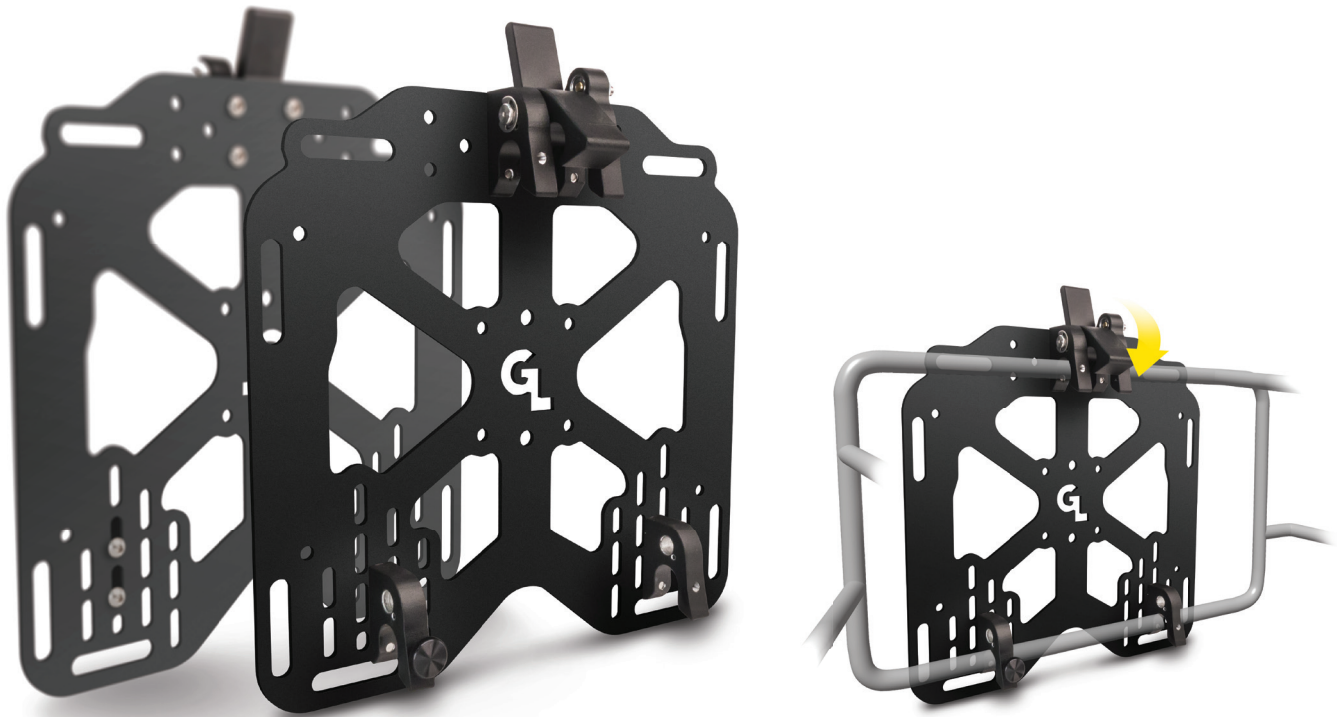


### 5 INSTALL ONTO LUGGAGE RACK

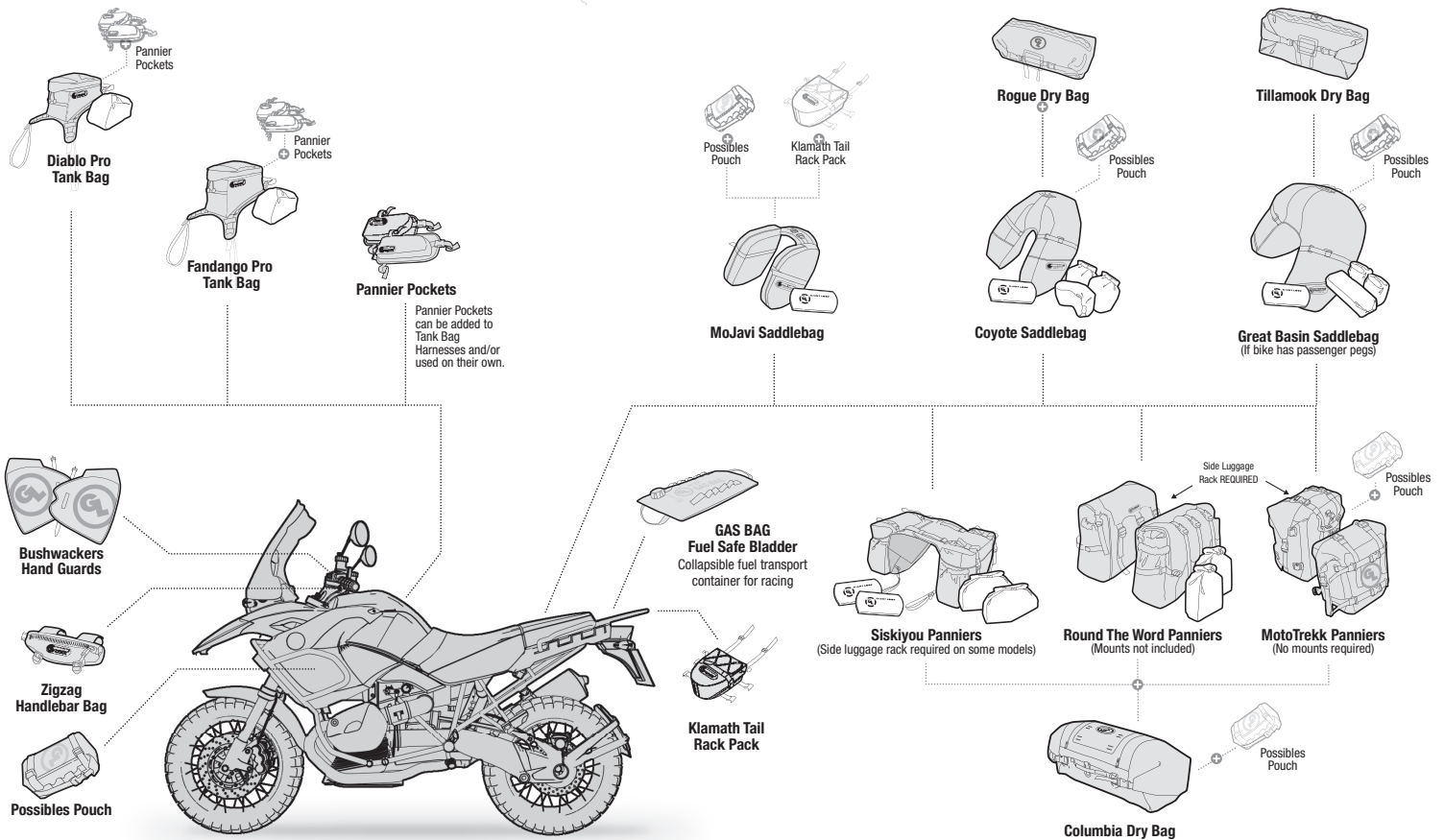
Once GL Pannier Mounts are installed on RTW Panniers, hold by the handle and drop hooks onto luggage rack, pulling quick-connect clasp open and allowing it to click into place. Lock Panniers to luggage rack for maximum security and to prevent accidental disconnection of Pannier Mount.



# GIANT LOOP ADVENTURE PROOF PACKING SYSTEMS & GEAR: ADVENTURE TOURING



Giant Loop's modular, customizable packing system makes it easy to Go Light, Go Fast and Go Far.



## RECOMMENDED OPTIONAL ACCESSORIES



**Tillamook Dry Bag**  
Waterproof double-ended duffel anchors between Panniers.



**84" QuickLoop Security Cable**  
Add peace of mind by locking Panniers to parked motorcycle.



**Possibles Pouch**  
Straps to front or back of Panniers, creating 3.5-liter waterproof, quickly accessible external pockets.



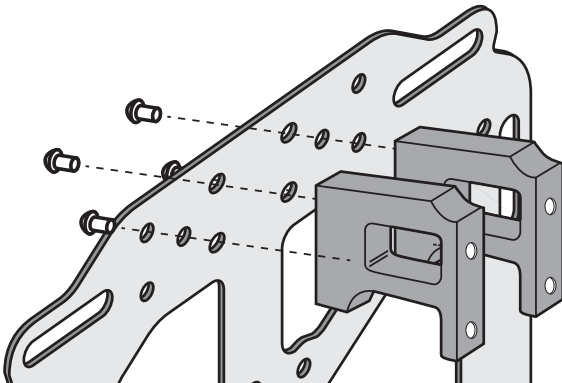
**Pronghorn Straps**  
Multi-use stretch polyurethane straps anchor gear to GL Pannier Mounts, tail racks and more.

## GL PANNIER MOUNTS™

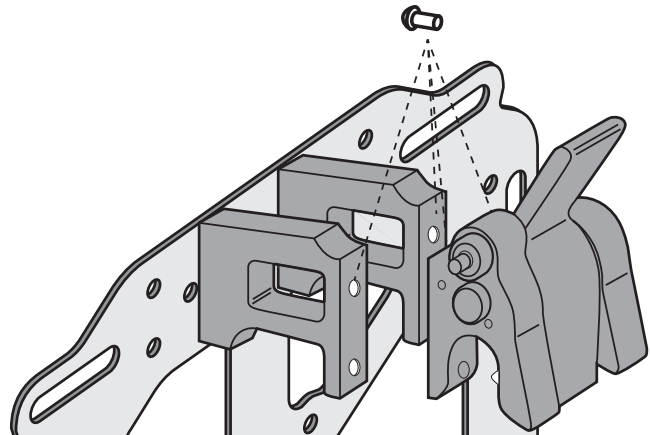


**IMPORTANT: USE THE APPROPRIATE BOLT LENGTH WHEN INSTALLING WITH AN ADAPTER!**

Use the **ORIGINAL 12mm** bolts to attach adapter to Pannier Mounts.



Use the **LONGER 16mm** bolts that were included with your adapter to secure the hook latch to the adapter.



Check out the collection of motorcycle luggage systems and saddlebags we offer.