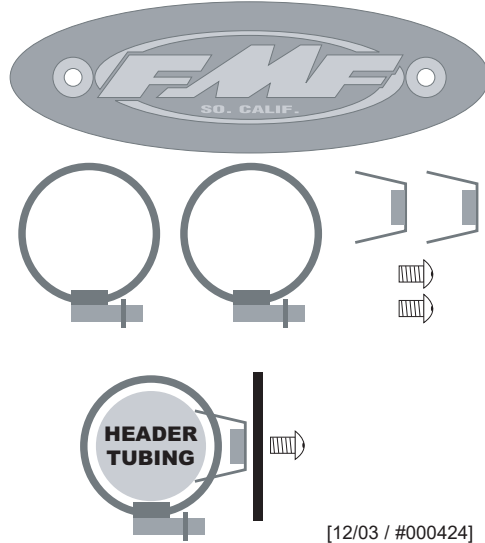




FMF Header Heat Shield Instructions

Parts Supplied: (1) Heat Shield, (2) SS Band Clamps,
(2) Threaded Perches and (2) 6mm Allen Screws



[12/03 / #000424]

- 1] Use a 7mm wrench to loosen and fully open the band clamps.
- 2] Slip the band clamp ends through the slots in the threaded perches.
- 3] Route the band clamp ends around the header and use the 7mm wrench to close the clamps and loosely tighten.
- 4] Space clamps about 5-1/4" apart in the location you would like to install the heat shield. If using in conjunction with a FMF Powerbomb header, position the heat shield over the Powerbomb chamber so both clamps are on either side of it.
- 5] Using a 4mm allen wrench install the heat shield on top of the perches with the supplied allen bolts. Tighten until snug.
- 6] Position the heat shield assembly exactly where you want it and then tighten the band clamps until snug with a 7mm wrench. To adjust the height of the shield bend the tabs on the threaded perches inward to raise or outward to lower. The heat shield must be close to the header without touching it. Some models may need to have the header removed to install the shield. If that is the case, use a pen to mark the locations of the clamps and perches.
- 7] You may need to trim the excess band clamp ends with shears.
- 8] Make sure the heat shield and associated parts are not in contact with the engine, hoses, cables, etc.