

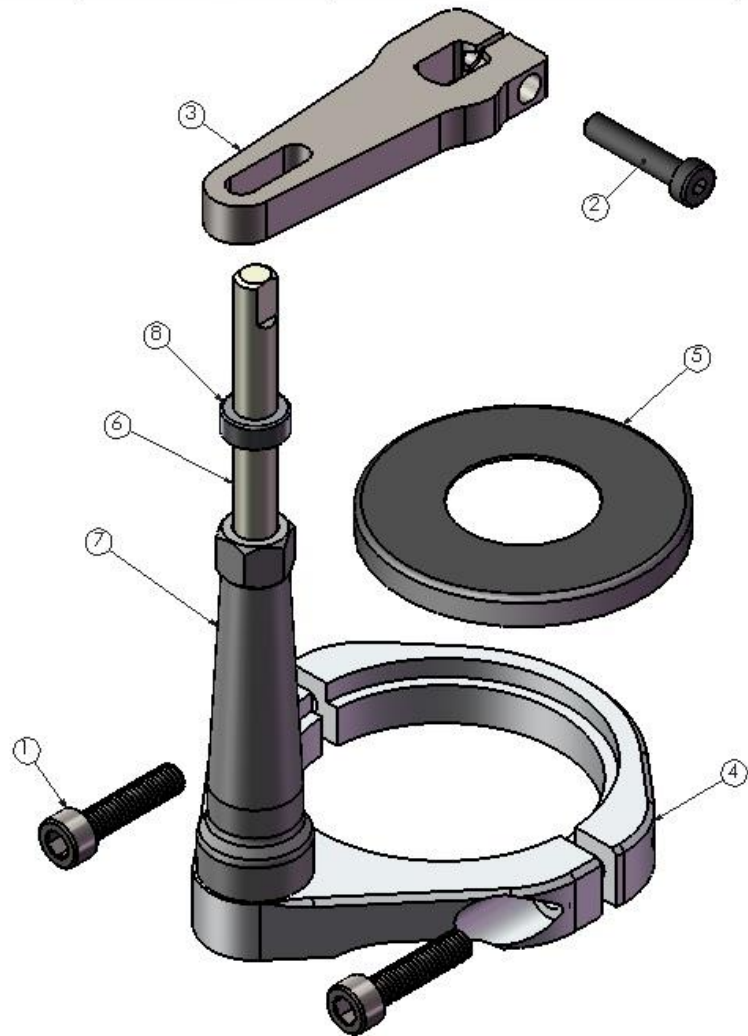
Instructions: ASS-FC-0701

- Place the bike on a stand and secure it to prevent it from falling over during the installation procedure. Use a tie-down strap to support the weight of the front wheel when the triple-clamp is removed (Figure 1).

ITEM NO.	PART NUMBER	DESCRIPTION	Instruction View/ QTY.
1	70-2625	BOLT M6X25 SOCKET S/S	2
2	VC1-10,9-M5-0,8-25-BLZ	M5 bolt, 25mm long (1")	1
3	LK-PL073_revA	Transfer Arm	1
4	LK-CL076_revG	Frame Mount Clamp	1
5	LK-M6024_revA	Steering Head Cover	1
6	LK-PN012_revC	Tower Pin (Overbar)	1
7	LK-M6040_revB	Frame Clamp Tower (Overbar)	1
8	LK-SP090_revA	Aluminum Pin Spacer	1

- A small amount of semi-permanent thread locking fluid (Blue Loctite #243 or equivalent) should be applied to all fasteners included with stabilizer kit. After a short test ride, check that all bolts are still tight.**

- Slide the transfer arm (Item No. 3) onto the stabilizer. The arm should fit snugly onto the stabilizer. **DO NOT** hammer the arm onto the stabilizer. If necessary, rock the arm back and forth into place. Secure the transfer arm to the stabilizer using the M5 bolt (Item No. 2).
- Remove the number plate and set it aside (optional)
- Remove the handlebar top clamps and lay the handlebars on the front fender.
- Remove triple-clamp by loosening the five pinch bolts and removing the center nut. Make sure that the front wheel is supported before removing the top triple-clamp.
- Remove the stock dust seal and replace with new seal provided with assembly.



- Slide the front half of the frame clamp (Item No. 4) around the frame and into place.
- Slide the back half of the frame clamp (Item No. 4) onto the frame. It may be necessary to hit any high spots in the head tube weld with a file to achieve a quality fit (Figure 2). If preferred, you may lightly remove material from the frame clamp in the area of weld irregularities with a rotary tool.
- Bolt the two halves of the frame clamp together using the two included M6 bolts (Item No. 1). (Figure 3)
- Thread the frame clamp tower (Item No. 7) into the frame clamp and tighten (Figure 4). Be sure to use Loctite Red 271.

12. Apply a light coat of grease to the tower pin (Item No. 6) and slide it into the frame clamp tower. Grease should also be applied to top of the tower pin where it inserts into the transfer arm.
13. **The aluminum spacer (Item No. 8) on the tower pin is adjustable!** Gently tap on the top of the pin with a hammer to adjust height. The top of the tower pin should be flush with the top of the transfer arm (Figures 5 & 6).



Figure 1



Figure 2



Figure 3

14. Reinstall triple-clamp; torque the center nut to factory specifications and then torque pinch bolts to factory specifications.
15. Install handlebars and overbar mount. Make sure to maintain an even gap between the overbar mount and the handlebar risers when tightening bolts.
16. The overbar mount includes a sliding plate. Adjust the sliding plate so that the stabilizer knobs are centered over the center nut on the triple clamp. Set the stabilizer onto the mount with the tower pin in the slot on the transfer arm and secure the stabilizer to the mount with the 2 M6 bolts included with the stabilizer.
17. **Turn the handlebars both directions and verify that the bars turn to the steering stops. If not, remove the stabilizer from the overbar mount and move the sliding plate forward about 1/8". Reinstall the stabilizer and re-check the steering movement. Repeat if necessary until the handlebar turns to the steering stops in both directions.**
18. **Always remember to check bolts regularly for proper tightness**



Figure 3



Figure 4



Figure 5