

Instructions: ASS-FC-0601

- Place the bike on a stand and secure it to prevent it from falling over during the installation procedure. Use a tie-down strap to support the weight of the front wheel when the triple-clamp is removed (Figure 1).
- A small amount of semi-permanent thread locking fluid (Blue Loctite #243 or equivalent) should be applied to all fasteners included with stabilizer kit. After a short first ride, check that all bolts are still tight.**
- Slide the transfer arm (Item 4) onto the stabilizer. The arm should fit snugly on the stabilizer. **DO NOT** hammer the arm onto the stabilizer. If necessary, rock the arm back and forth into place. Secure the transfer arm to the stabilizer with the M5 bolt (Item 5). Torque bolt to 8 ft. lbs.
- Remove the number plate and set it aside.
- Remove the handlebar top clamps and lay the handlebars on the front fender.
- UNDERBAR ONLY THIS STEP: Remove the stock handlebar risers.
- Remove triple-clamp by loosening the five pinch bolts and removing the center nut. **Make sure that the front wheel is supported before removing the top triple-clamp (Figure 1).**
- Remove the stock dust seal and cap.
- Gently spread the frame clamp (Item 1) by sliding a flat screwdriver into the slot at the front of the clamp. With the clamp spread apart, slide it down onto the frame. Ensure that the frame clamp is fully seated and centered on the frame. If your bike has a groove around the head tube, the height of the frame clamp should be adjusted so that the set screws fit into the groove.
- Install the M6x16mm bolt (Item 2) (Figure 2). Install and tighten the M6 set screws (Item 3) (Figure 3).

ITEM NO.	PART NUMBER	DESCRIPTION	QTY.
1	LK-CL076H_revA	Frame Clamp	1
2	VB1-12,9-M6-1,0-16-BLZ	M6x16mm Bolt	1
3	VM6-70-M6-1,0-6	M6 Set Screw	4
4	LK-PL073_revA	Transfer Arm	1
5	VC1-10,9-M5-0,8-25-BLZ	M5x25mm Bolt	1
6	LK-MS024_revA	Dust Seal Cap	1
7	LK-SP090_revA	Aluminum Pin Spacer	1
8a	LK-PN011_revC	Tower Pin (Underbar)	1
9a	LK-MS030_revE	Frame Clamp Tower (Underbar)	1
8b	LK-PN012_revC	Tower Pin (Overbar)	1
9b	LK-MS040_revB	Frame Clamp Tower (Overbar)	1

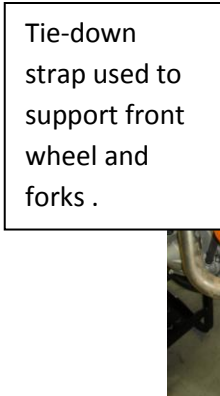
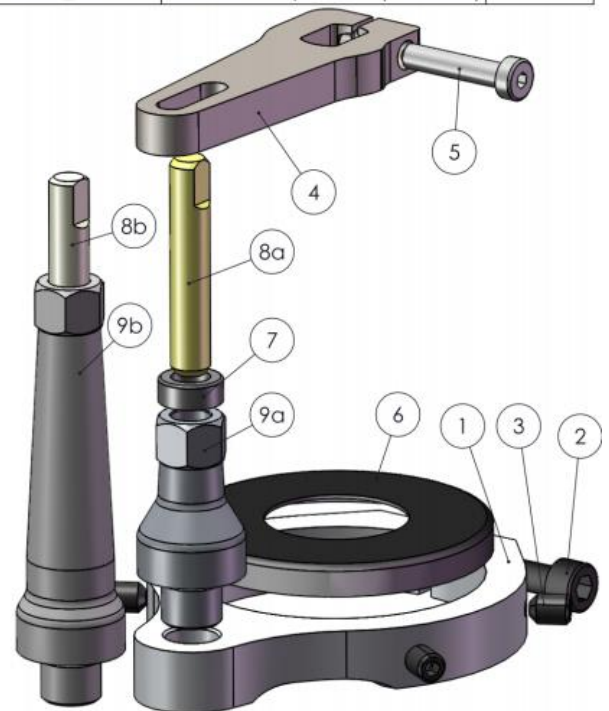


Figure 1



Figure 2



Figure 3

11. Thread the frame clamp tower (Item 9) into the frame clamp and tighten. Don't forget to add thread locking fluid to the tower threads (Figure 4).
12. Replace the dust seal and install the new dust seal cap (Item 6).
13. Apply a light coat of grease to the tower pin (Item 8) and slide it into the frame clamp tower. Grease should also be applied to top of tower pin where it inserts into the transfer arm.
14. **The aluminum spacer (Item 7) on the tower pin is adjustable!** Gently tap on the top of the pin with a hammer to adjust height. The top of the tower pin should be flush with the top of the transfer arm (Figures 5&6).

Underbar Stabilizer Installation:

Stop here and refer to instructions included with underbar mount for reassembly.

Overbar Stabilizer Installation:

Follow remaining steps.

15. Reinstall triple-clamp; torque the center nut to factory specifications and then torque pinch bolts to factory specifications.
16. Install handlebars and overbar mount. Make sure to maintain an even gap between the overbar mount and the handlebar risers when tightening bolts.
17. The overbar mount includes a sliding plate. Adjust the sliding plate so that the stabilizer knobs are centered over the center nut on the triple clamp. Set the stabilizer onto the mount with the tower pin in the slot on the transfer arm and secure the stabilizer to the mount with the 2 M6 bolts included with the stabilizer.
18. **Turn the handlebars both directions and verify that the bars turn to the steering stops. If not, remove the stabilizer from the overbar mount and move the sliding plate forward about 1/8". Reinstall the stabilizer and re-check the steering movement. Repeat if necessary until the handlebars turn to the steering stops in both directions.**



Figure 4



Figure 5



Figure 6