

Instructions: ASS-FC-0303

- Place the bike on a stand and secure it to prevent it from falling over during the installation procedure.
- A small amount of semi-permanent thread locking fluid (Blue Loctite #243 or equivalent) should be applied to all fasteners included with stabilizer kit. After a short first ride, check that all bolts are still tight.**

- Slide the transfer arm (Item 1) onto the stabilizer. The arm should fit snugly onto the stabilizer. **DO NOT** hammer the arm onto the stabilizer. If necessary, rock the arm back and forth into place. Secure the transfer arm to the stabilizer using the M5 bolt (Item 3).

- Remove the number plate and set it aside.

- Remove the 2 nuts under the triple-clamp that hold the handlebar clamps. (Figure 1)

- Remove the top handlebar clamps and lay the handlebars on the front fender.

- Remove triple-clamp by loosening the two pinch bolts on each side and removing the center nut. (Figures 2 & 3)

- Remove the bolt securing the fuel tank tab to the frame.

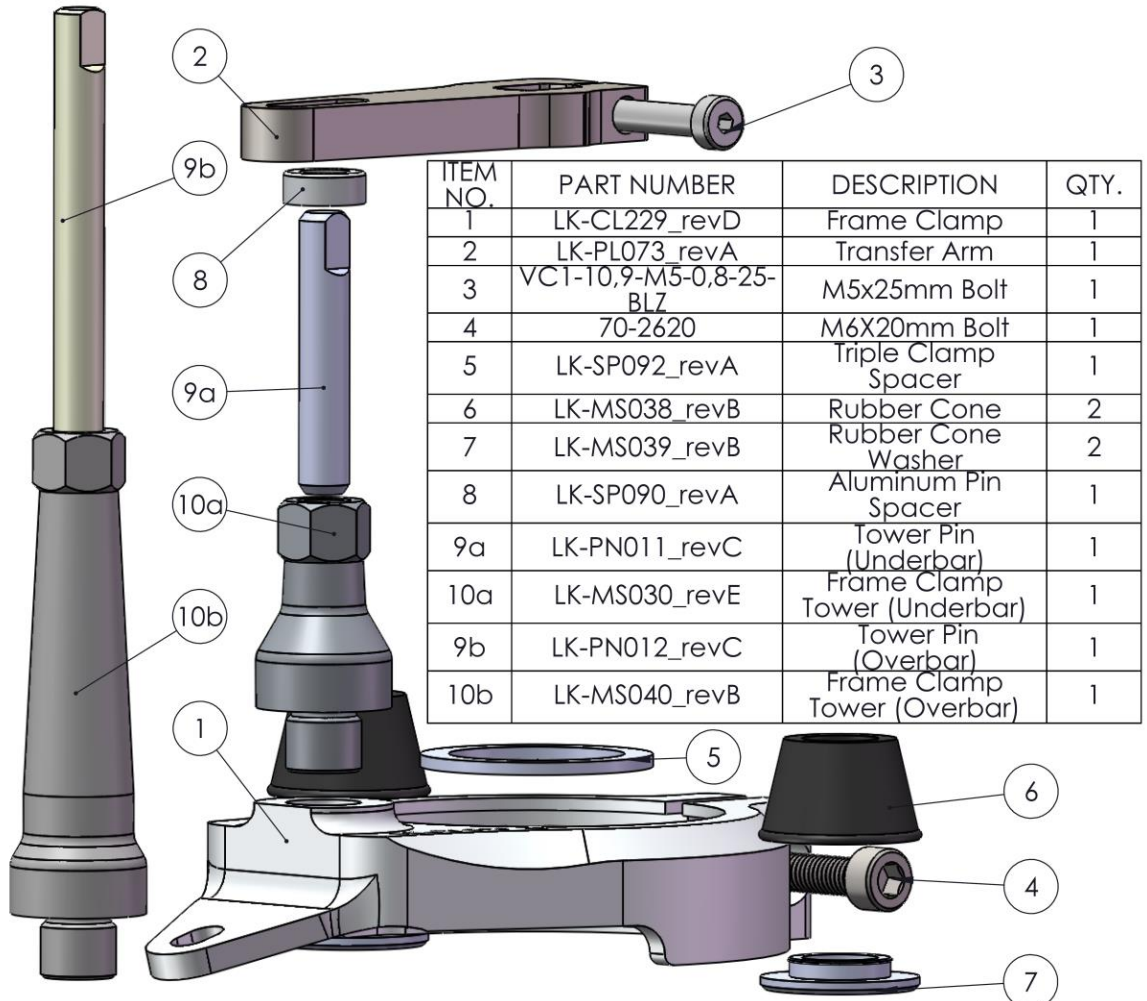
- Gently spread the frame clamp by sliding a flat screwdriver into the slot at the front of the clamp. With the clamp spread apart, slide it down onto the frame. Ensure that the frame clamp tab fits underneath the fuel tank tab and the frame clamp is fully seated on the frame. Use the stock fuel tank tab bolt and the included M6 bolt (Item 4) to secure the frame clamp to the frame.

- Slide the triple-clamp spacer (Item 5) over the steering stem. (Figure 4)

- Thread the frame clamp tower (Item 10) into the frame clamp and tighten. **Apply thread locking fluid to threads.**

- Apply a light coat of grease to the tower pin (Item 9) and slide it into the frame clamp tower. Grease should also be applied to top of tower pin where it inserts into the transfer arm.

The aluminum spacer (Item 8) on the tower pin is adjustable! Gently tap on the top of the pin with a hammer to adjust height. The top of the tower pin should be flush with the top of the transfer arm. (Figures 5 & 6)



Underbar Stabilizer Installation: Stop here and refer to instructions included with underbar mount for reassembly.

Overbar Stabilizer Installation: Follow remaining steps.



Figure 1



Figure 2



Figure 3

13. Replace the rubber cones on the underside of the triple-clamp with the small supplied rubber cones (Items 6&7). Install the nuts on the underside of the triple-clamp but do not tighten yet.
14. Reinstall triple-clamp; torque the center nut to factory specifications and then torque pinch bolts to factory specifications.
15. Install handlebars and overbar mount. Make sure to maintain an even gap between the overbar mount and the handlebar risers when tightening bolts.
- 16. Tighten the handlebar riser nuts on the underside of the triple-clamp.**
17. The crossbar on the stock handlebars will need to be bent to provide clearance for the stabilizer. **DO NOT RIDE THE BIKE WITH THE CROSSBAR REMOVED.** Remove crossbar from handlebars and place crossbar in a vise. Slide a bar or wrench over the end of the crossbar and bend each side just enough to allow clearance for stabilizer. (Figures 7&8)
18. The overbar mount includes a sliding plate. Adjust the sliding plate so that the stabilizer knobs are centered over the center nut on the triple clamp. Set the stabilizer onto the mount with the tower pin in the slot on the transfer arm and secure the stabilizer to the mount with the 2 M6 bolts included with the stabilizer.
- 19. Turn the handle bars both directions and verify that the bars turn to the steering stops. If not, remove the stabilizer from the overbar mount and move the sliding plate forward about 1/8". Reinstall the stabilizer and re-check the steering movement. Repeat if necessary until the handlebar turns to the steering stops in both directions.**



Figure 4



Figure 5



Figure 6



Figure 7



Figure 8