

Instructions: ASS-FC-0201

Important: This kit requires drilling and tapping a hole in the frame. It is a simple operation if you understand and follow the directions. Do not attempt if you are not fully confident. Read all steps and understand them before starting.

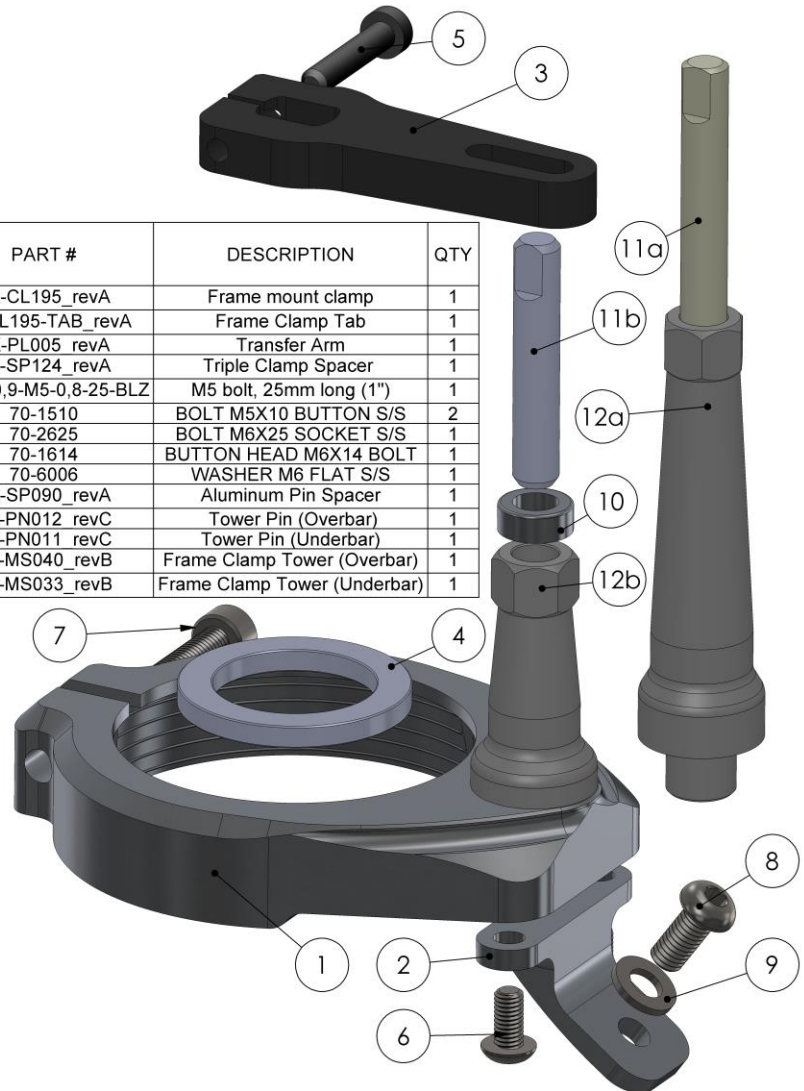
Tools Required:

- Metric hex key wrenches
 - 6mm, 5mm, 4mm, 3mm
- 32mm end wrench or socket
- Large flat head screwdriver
- Hand drill
- ¼ inch drill bit
- #9 drill bit
- M6X1 cutting tap
- Tapping lubricant
- Hammer

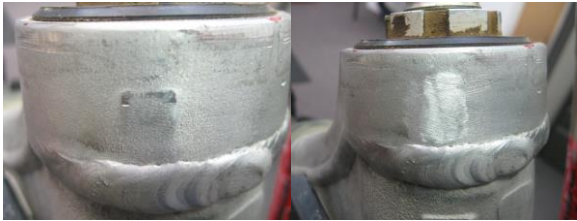
Steps:

1. Place the bike on a stand and secure it to prevent it from falling over during the installation procedure.
2. **A small amount of semi-permanent thread locking fluid (Blue Loctite #243 or equivalent) should be applied to all fasteners included with stabilizer kit. After a short test ride, check that all bolts are still tight.**
3. Slide the transfer arm (Item 3) onto the stabilizer. The arm should fit snugly onto the stabilizer. **DO NOT** hammer the arm onto the stabilizer. If necessary, rock the arm back and forth into place. Secure the transfer arm to stabilizer using the M5 bolt (Item 5).
4. Remove the number plate, seat, fuel tank and radiator shrouds and set aside.
5. Remove the top handlebar clamps and lay the handlebars on the front fender.
6. Remove triple-clamp by loosening the two pinch bolts on each side and removing the center nut.
7. **Underbar Mount Only:** Remove the 2 bolts under the triple-clamp that hold the handlebar clamps.

ARTICLE #	PART #	DESCRIPTION	QTY
1	LK-CL195_revA	Frame mount clamp	1
2	LK-CL195-TAB_revA	Frame Clamp Tab	1
3	LK-PL005_revA	Transfer Arm	1
4	LK-SP124_revA	Triple Clamp Spacer	1
5	VC1-10,9-M5-0,8-25-BLZ	M5 bolt, 25mm long (1")	1
6	70-1510	BOLT M5X10 BUTTON S/S	2
7	70-2625	BOLT M6X25 SOCKET S/S	1
8	70-1614	BUTTON HEAD M6X14 BOLT	1
9	70-6006	WASHER M6 FLAT S/S	1
10	LK-SP090_revA	Aluminum Pin Spacer	1
11a	LK-PN012_revC	Tower Pin (Overbar)	1
11b	LK-PN011_revC	Tower Pin (Underbar)	1
12a	LK-MS040_revB	Frame Clamp Tower (Overbar)	1
12b	LK-MS033_revB	Frame Clamp Tower (Underbar)	1



8. Using a file, remove the two casting bumps. The frame needs to be as smooth and round as



9. Attach the frame clamp tab (Item 2) to the frame clamp (Item 1) using the M5x10mm bolts (Item 6)
10. Gently spread the frame clamp by sliding a flat screwdriver into the slot at the front of the clamp. With the clamp spread apart, slide it down onto the frame. Ensure that the frame clamp is fully **seated and centered** on the frame.



11. Lightly tighten pinch bolt
12. Using a ¼ inch drill and the frame clamp tab as a guide, spot or "mark" the location on the frame tap drill.



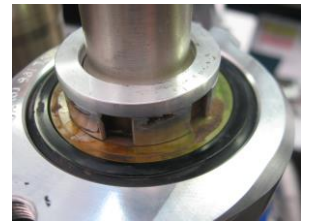
DO NOT DRILL HOLE

13. Using a #9 drill, drill through the frame wall being very careful to keep drill bit perpendicular to frame clamp tab.
14. Tap the M6 hole using a tapping lubricant, also keep tap perpendicular to frame clamp tab.



15. Fasten the frame clamp tab to the frame using the M6 bolt (item 8) and washer (item 9). Tighten pinch bolt so mount is secure. Remember thread locking fluid!

16. Slide the triple clamp spacer (Item 4) over the steering stem.
17. Thread the frame clamp tower (Item 12) into the frame clamp and tighten don't forget to use thread locking fluid on the tower threads.



18. Apply a light coat of grease to the tower pin (Item 11) and slide it into the frame clamp tower. Grease should also be applied to top of tower pin where it inserts into the transfer arm. **The aluminum spacer (Item 10) on the tower pin is adjustable!** Gently tap on the top of the pin with a hammer to adjust height. The top of the tower pin should be flush with the top of the transfer arm.



Underbar Stabilizer Installation:

Stop here and refer to instructions included with underbar mount for reassembly.

Overbar Stabilizer Installation:

Follow remaining steps.

19. Reinstall triple-clamp; torque the center nut to factory specifications and then torque pinch bolts to factory specifications.
20. Install handlebars and overbar mount. Make sure to maintain an even gap between the overbar mount and the handlebar risers when tightening bolts.
21. The overbar mount includes a sliding plate. Adjust the sliding plate so that the stabilizer knobs are centered over the center nut on the triple clamp. Set the stabilizer onto the mount with the tower pin in the slot on the transfer arm and secure the stabilizer to the mount with the two M6 bolts (item 6).
22. **Turn the handlebars both directions and verify that the bars turn to the steering stops. If not, remove the stabilizer from the overbar mount and move the sliding plate forward about 1/8". Reinstall the stabilizer and re-check the steering movement. Repeat if necessary until the handlebar turns to the steering stops in both directions.**
23. Installation is now complete. Check the tightness of bolts regularly and enjoy your new Fastway steering stabilizer!