

## Instructions: ASS-DM-0301

1. Install frame clamp using frame clamp instructions.
2. A small amount of semi-permanent thread locking fluid (Blue Loctite #243 or equivalent) should be applied to all fasteners.
3. Remove the handlebar risers and rubber cones from the underside of the triple-clamp.
4. Reinstall triple-clamp; torque the center nut to factory specifications and then torque pinch bolts to factory specifications.
5. Install the small rubber cones that were included with the frame clamp in the underside of the triple clamp. Slide the bolts (Item 1) and washers (Item 2) into the triple clamp from the underside.
6. Set the stabilizer mount (Item 6) on the triple-clamp. The open end of the mount should face the back of the bike with the slots on each end facing up. (Figure 1)
7. Thread the handlebar risers (Item 4) onto the bolts. The handlebar risers are reversible to allow for two handlebar positions (arrows pointing forward = forward handlebar offset). Ensure that both arrows point in the same direction.
8. Tighten risers from the underside of triple-clamp. (Figure 2)
9. Place the stabilizer on the stabilizer mount with the transfer arm to the side of the tower pin. Adjust the height of the tower pin so that the top of the pin is flush with the top of the transfer arm. See frame clamp instructions for more details about adjusting the tower pin.
10. Insert the tower pin into the slot on the transfer arm and attach the stabilizer to the stabilizer mount using the two M6 bolts included with the stabilizer. (Figure 3)
11. Install handlebars and top clamps (Item 5) using the M8 bolts (Item 3). The adapters (Item 7) are needed for bikes with stock 7/8" handle bars. Make sure to maintain an even gap between the overbar mount and the handlebar risers when tightening bolts.

ITEM NO.	PART NUMBER	DESCRIPTION	QTY.
1	VC1-10.9-M12-1.75-80-BLZ	M12x80mm Bolt	2
2	RA6-M13-M24-2,5	M12 Washer	2
3	70-2825	M8X25mm Bolt	4
4	LK-CL233_revB	Handlebar Riser	2
5	LK-CL232_revB	Handlebar Top Clamp	2
6	LK-PL081_revC	Underbar Stabilizer Mount	1
7	LK-CL220_revB	1 1/8" to 7/8" Adapter	4

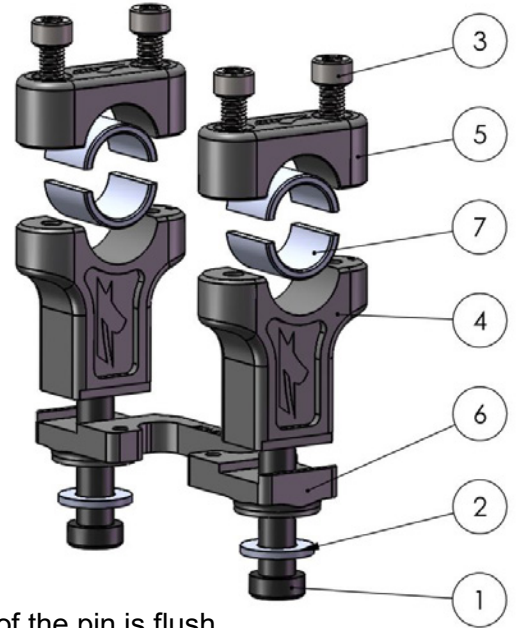


Figure 1



Figure 2



Figure 3