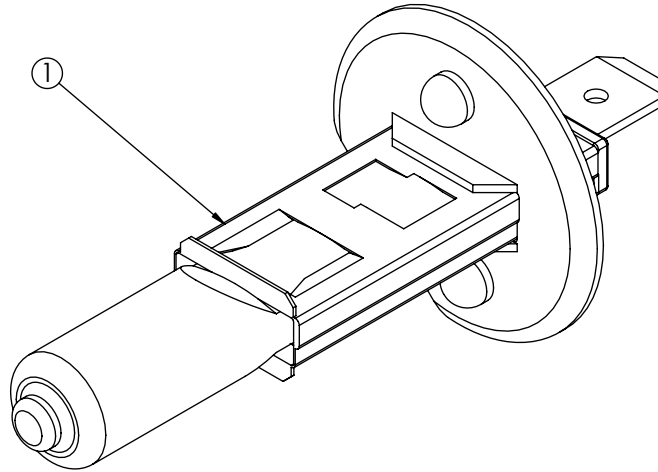


8 7 6 5 4 3 2 1

REVISION HISTORY		
REV.	DESCRIPTION	DATE
01	PRELIMINARY RELEASE PER CR# 2024	2006-01-31
A	INITIAL RELEASE PER CR# 2024	2006-06-05



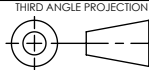
ITEM NO.	QTY.	DESCRIPTION	COMMENTS
1	1	BULB, 1255/H1, 12V	
2	1	BOX, 2 1/2 X 2 1/4 X 1, BLUE, FLASHTUBE	NOT SHOWN

SCALE 1:0.5	APPROVALS	DATE
CAD GENERATED DRAWING DO NOT MANUALLY UPDATE. MODEL REFERENCED:A	DRAWN BY DJG	
TOLERANCES ARE IN INCHES, TOLERANCES ARE:	CHECKED	
MILLIMETERS DECIMALS .X ± .1 .XX ± .01 .XXX ± .005 .XXXX ± .0030	MECH. ENG.	
INCHES DECIMALS .X ± .1 .XX ± .01 .XXX ± .005 .XXXX ± .0030	ELEC. ENG.	
ANGLES ± 0.5°	TEST ENG.	
FRACTIONS ± 1/64	SALES	
THIRD ANGLE PROJECTION		

ECCO[®]	
REPLACEMENT, BULB, HALOGEN, NOCLIP, 5800, 12V	
CUSTOMER PART NO. R5812BH	PRODUCT SERIES: 5800
SIZE: A	DWG. NO. R5812BH
SHEET 1 OF 1	Project: CR#2024 Date Created: 2006-01-31

NON DISCLOSURE AGREEMENT

THIS DRAWING AND THE DESIGN IT DISCLOSES ARE THE PRIVATE PROPERTY OF ECCO AND IS ISSUED IN CONFIDENCE FOR ENGINEERING INFORMATION ONLY. THE DRAWING AND / OR DESIGN MAY NOT BE USED, COPIED, REPRODUCED, OR OTHERWISE DISCLOSED IN PART OR AS A WHOLE TO OUTSIDERS OR USED FOR ANY OTHER PURPOSE WITHOUT THE PRIOR WRITTEN CONSENT OF ECCO. THE DRAWING IS SUBJECT TO RECALL AT ANY TIME. YOUR POSSESSION OF THIS DOCUMENT CONSTITUTES ACCEPTANCE OF THESE TERMS. © 2006 ECCO



8 7 6 5 4 3 2 1