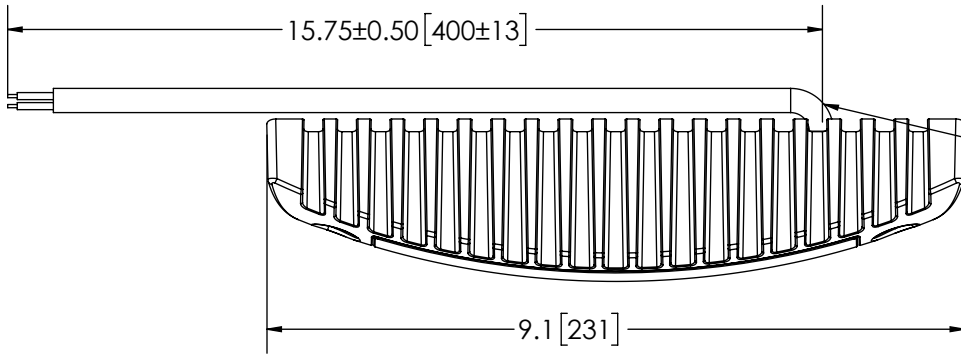


REVISION HISTORY		
REV.	DESCRIPTION	DATE
03	REVISED PER EL0204	2020-11-25
04	REVISED PER EL0204	2020-12-08
A	INITIAL RELEASE PER EL0204	2020-12-09

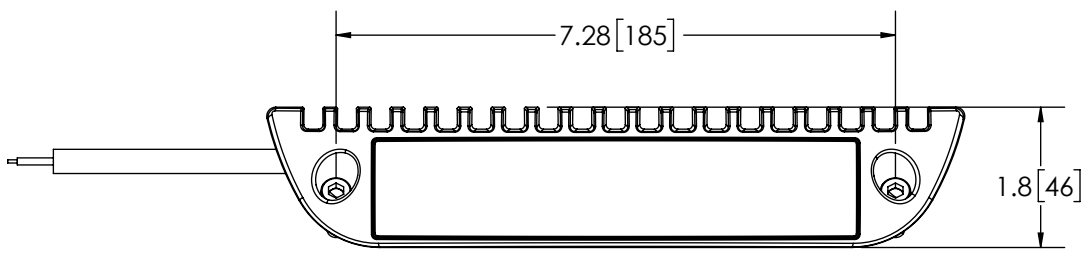


TOP VIEW

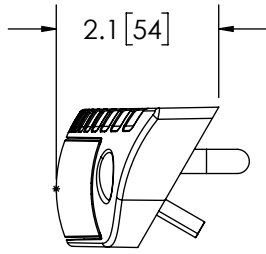
2-18AWG CONDUCTOR CABLE
 RED - POSITIVE(+)
 BLACK - NEGATIVE (-)

SPECIFICATIONS

- CERTIFICATIONS: CE; ECE R10; IP67 ROHS
 Note: Unique components, accessories, and hardware kits are not typically included in the Product Certification Test Protocols. Unless otherwise Specified, the Product Certifications referred to herein are predicated upon the base product model configuration.
- RAW LUMENS: 1700 lumens
- EFFECTIVE LUMENS: 1600 lumens
- ILLUMINANCE (@100 FT): 0.6 lux
- PEAK BEAM INTENSITY: 622 candela
- VOLTAGE (NOMINAL): 12-24 VDC
- VOLTAGE (EXTREME): 9-32 VDC
- CURRENT (PEAK): 1.5A (@ 12 VDC NOMINAL)
- POWER (MAXIMUM): 18.0W (@ 12 VDC NOMINAL)
- TEMPERATURE RANGE: -40°F (-40°C) TO 149°F (65°C)
- CONNECTION: 2-18 AWG CABLE
- MOUNTING: M6X20 HARDWARE
- HOUSING MATERIAL: ALUMINUM
- LENS MATERIAL: POLYCARBONATE
- PRODUCT WEIGHT: 0.9 LBS (0.41 Kg)



FRONT VIEW



RIGHT VIEW

MOUNTING DISCLAIMER
 MOUNTING MEASUREMENT IS FOR REFERENCE ONLY.
 MEASURE BEFORE DRILLING.

DISCLAIMER
 DIMENSIONS, ILLUSTRATIONS, SPECIFICATIONS AND CERTIFICATIONS CONTAINED IN THIS DOCUMENT ARE TYPICAL OF THE ACTUAL PRODUCT AND ARE SUBJECT TO CHANGE.
 ECCO ENGINEERING DOES NOT MAINTAIN FORMAL DESIGN CONTROL OF THIS PRODUCT.

- NOTES:
- MOUNTING GASKET NOT SHOWN
 - ROHS COMPLIANT
 - DIMENSIONS IN INCHES[MILLIMETERS (FOR REFERENCE)]

PROPRIETARY AND CONFIDENTIAL INFORMATION
 THIS DRAWING AND THE DESIGN AND OTHER INFORMATION DISCLOSED HEREIN ARE THE PROPERTY OF ELECTRONIC CONTROLS COMPANY AND/OR ITS ECCO SAFETY GROUP AFFILIATES ("ECCO") AND IS ISSUED IN CONFIDENCE TO RECIPIENT FOR ENGINEERING INFORMATION PURPOSES ONLY. THIS DRAWING AND THE DESIGN AND OTHER INFORMATION DISCLOSED HEREIN MAY NOT BE USED, COPIED, REPRODUCED OR OTHERWISE DISCLOSED IN PART OR IN WHOLE TO THIRD PARTIES OR USED FOR ANY OTHER PURPOSE WITHOUT PRIOR ECCO WRITTEN CONSENT. ECCO RESERVES ALL PATENT, COPYRIGHT, TRADEMARK AND OTHER PROPRIETARY RIGHTS TO THIS DOCUMENT, INCLUDING ALL DESIGN, MANUFACTURING, REPRODUCTION, USE AND SALES RIGHTS THERETO. THIS DRAWING IS SUBJECT TO RECALL BY ECCO AT ANY TIME, AND YOUR POSSESSION AND/OR USE CONSTITUTES ACCEPTANCE OF THESE TERMS. ©2020 ELECTRONIC CONTROLS COMPANY

SCALE 1:2.5		APPROVALS	DATE
CAD GENERATED DRAWING DO NOT MANUALLY UPDATE. MODEL REFERENCED: 01		DRAWN BY: ABB	2020-12-08
TOLERANCES ARE IN INCHES, AND MILLIMETERS TOLERANCES UNLESS OTHERWISE STATED ARE:		CHECKED: ART	2020-12-08
MILLIMETERS DECIMALS XX ± 1.0mm XX.X ± 0.5mm	INCHES DECIMALS XX ± 0.1 X.XX ± 0.04 X.XXX ± 0.02	MECH. ENG.: JLA	2020-12-08
THIRD ANGLE PROJECTION		ELEC. ENG.:	
		TEST ENG.: WH	2020-12-08
		SALES: ARS	2020-12-08
		Electronically Controlled Use Latest Copy	



WORKLAMP, 18LED, FLOOD, ANGLE, 12-24V, WHT			
CUSTOMER PART NO. EW2602-W			
SIZE: A	DWG. NO.	EW2602-W	
SHEET 1 OF 1		Project: EL0204	Date Created: 2020-11-17
			REV. A