



DRYSPEC™

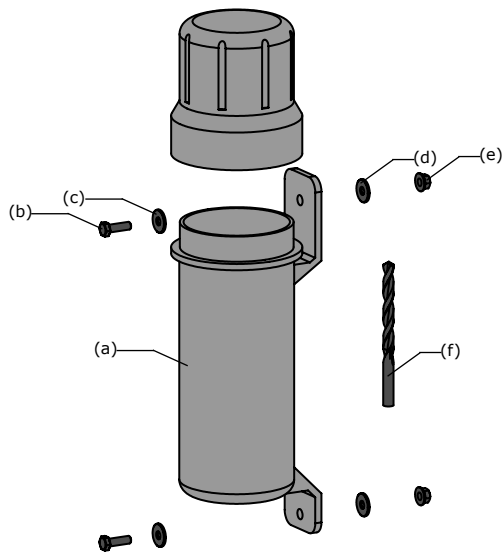
Large Tool Tube Instruction Manual.....rev00



DSL.STO.10000

Large Tool Tube

Universal Mounting



Assembly

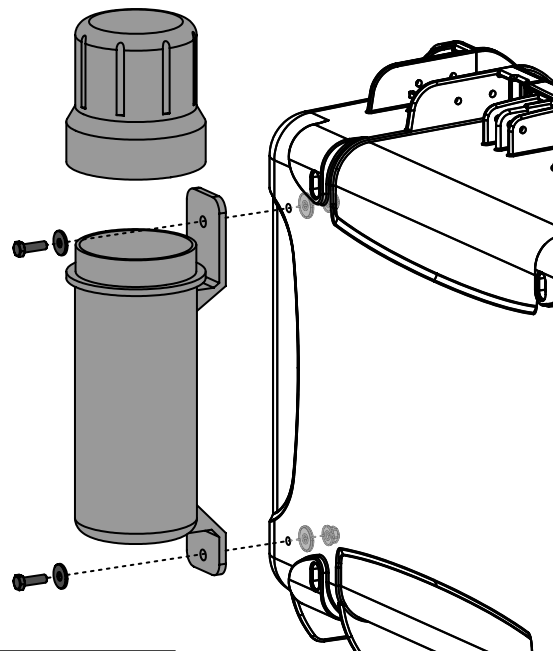
Assembly Components

- (a) Storage Tube.....Qty 1
- (b) M6x20 Hex Head Screw.....Qty 2
- (c) M6 Large OD Washer.....Qty 2
- (d) M6 Sealing Washer.....Qty 2
- (e) M6 Nylock Nut.....Qty 2
- (f) 1/4" Drill Bit.....Qty 1

Tools Required

- 1. (2x) 10mm Open End or Socket Wrench
- 2. Drill

Mounting



Step One: Use the Storage Tube to mark the hole centers on the surface the tube will be mounted to. (*Remove the cap to allow access to the upper hole.*) **Step Two:** Using the provided 1/4" Drill Bit to drill the two mounting holes. **Step Three:** Place a large outer diameter washer over each bolt and then pass the bolts through the bottle mount and the two holes that were drilled. **Step Four:** Place a sealing washer, then a nut over the exposed thread on the backside of

the mounting surface and hand tighten. **Step Five:** Use two 10mm wrenches to tighten the two bolts.