



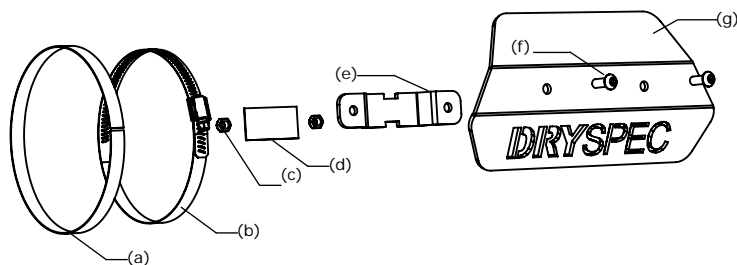
# DRYSPEC™

Heat Shield Instruction Manual.....rev00



# Heat Shield

## Universal Exhaust Mount, 4"-6" Diameter



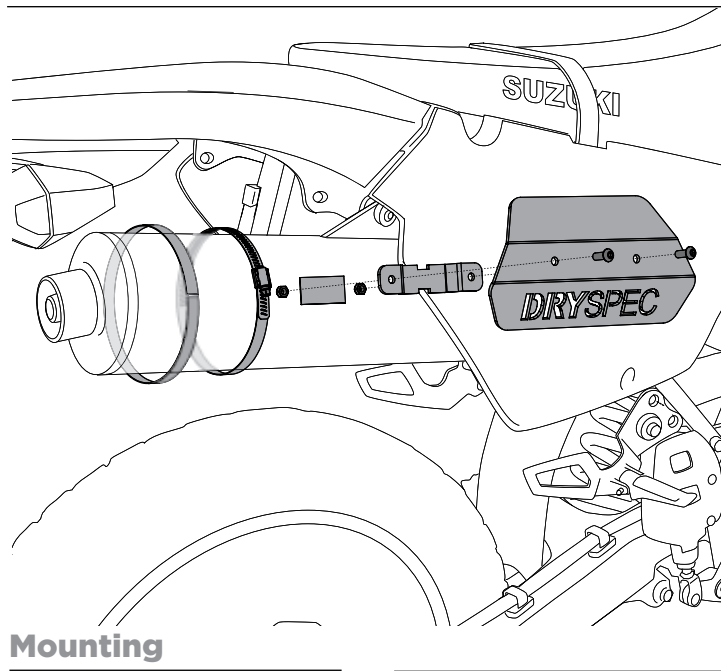
## Assembly

### Assembly Components

- (a) Adhesive Backed Silicone .5"x19".....Qty 1
- (b) Hose Clamp 4"-6" Diameter .....Qty 1
- (c) M6 Nylock Nut.....Qty 2
- (d) Adhesive Backed Silicone 1"x2".....Qty 1
- (e) Bracket.....Qty 1
- (f) M6x16 - Lens Head Screw.....Qty 2
- (g) Heat Shield.....Qty 1

### Tools Required

- 1. 5/16" Open End or Socket Wrench
- 2. Tin Snips
- 3. Scissors



## Mounting

**Step One:** Use the bracket to secure the hose clamp to the backside of the Heat Shield using the M6 bolts and nuts. **Step Two:** Select the location along the exhaust that the heat shield is to be mounted. Wrap the 19" Silicone strip around the exhaust in the desired mounting location. Use a pair of scissors to trim the excess Silicone and discard. **Step Three:** Apply the 2" Silicone strip to the side of the bracket that will be mounting against the exhaust. **Step Four:** Slide the as-

sembled heat shield over your exhaust till the hose clamp is directly over the Silicone band that has been placed around the exhaust. Use a 5/16 wrench to tighten the heat shield to the exhaust. **Step Five:** Use a pair of tin snips to cut off the excess band of the hose clamp.