



10. Reinstall the factory fog light bezel, by reinstalling the factory hardware. Plug the SS3 into the factory fog light harness using the included DT wire adapter. Test function. If the light does not turn on, try flipping the connector 180°.



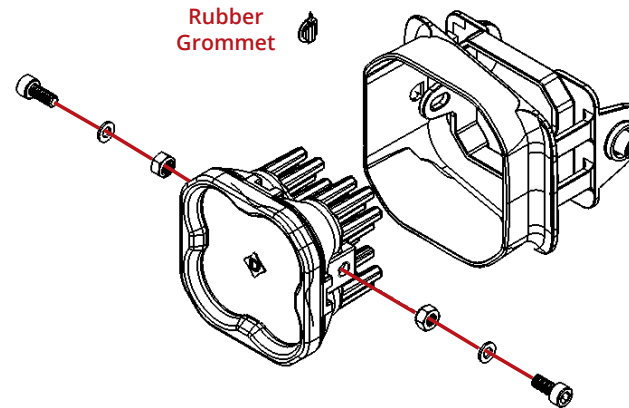
11. Adjust and aim the fog light according to your local and state laws. To adjust, loosen the screws on the sides of the bracket, aim, and re-tighten. In general, fog lamps should be angled slightly downwards to illuminate the area directly in front of the vehicle, below your headlights.

12. Replace the shroud, upper bumper piece, fender flare, and fender liner using the original hardware.

13. Use the included rubber grommets to cover the adjustment screws to complete the installation.

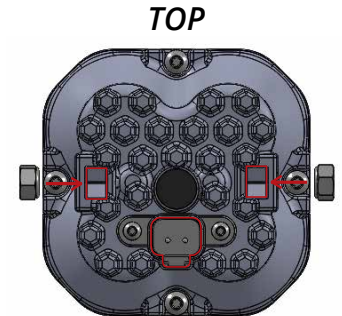


Thank you for your purchase of our new SS3 Type F2 Foglight Kit. CAD-designed to use existing mounting points, this kit is compatible with the 2015+ F-150 and 2017+F-250/F-350 models. Basic installation instructions are included below. **Please contact us if you have any questions.**



COMPUTER DESIGNED
OEM FITMENT

ASSEMBLED IN
USA



Passenger/Right Side (opposite for driver/left side)

1. Attach the bracket to the pod, using one screw on each side. The screws will also determine the aim of your SS3 pods. See diagrams above and to the right. There will be a small gap between the pod and bracket to allow for aiming

BOTTOM

See back for further instructions.

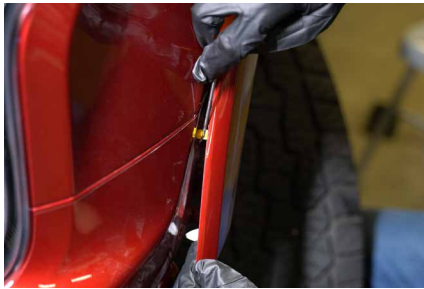
This installation guide is for the following SKUs:

- DD6237** Worklight SS3 Sport Type F2 Kit White SAE Driving
- DD6238** Worklight SS3 Sport Type F2 Kit White SAE Fog
- DD6240** Worklight SS3 Sport Type F2 Kit Yellow SAE Fog
- DD6241** Worklight SS3 Pro Type F2 Kit White SAE Driving

- DD6242** Worklight SS3 Pro Type F2 Kit White SAE Fog
- DD6244** Worklight SS3 Pro Type F2 Kit Yellow SAE Fog
- DD6694** Worklight SS3 Max Type F2 Kit White SAE Fog
- DD6695** Worklight SS3 Max Type F2 Kit Yellow SAE Fog



2. Peel back the wheel well fender liner. To do so, remove the two push clips, two 5.5mm bolts, and two 7mm bolts shown in the picture to the left and peel the fender liner back.



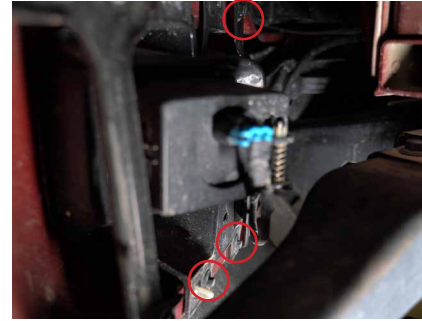
3. Peel the plastic fender flare back using a plastic trim removal tool. Loosen the plastic clips holding it in place using a pick tool.



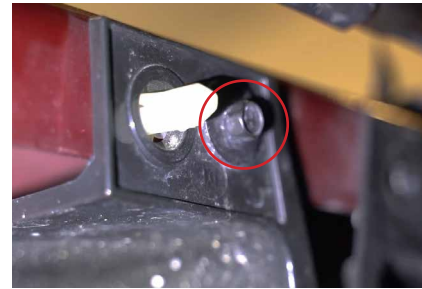
4. Using a plastic trim removal tool, loosen the upper bumper piece. Repeat the steps on the other side of the vehicle to remove the upper bumper piece from the vehicle.



5. Remove the shroud blocking access to the fog light bezel. To do so, remove the 10mm bolt and loosen the three plastic pins holding the shroud to the bottom of the headlight. Then remove the two 10mm bolts near the fender flare. Remove the shroud from the vehicle.



6. Remove the fog light bezel from the bumper, by removing the three 8mm bolts holding it in place and disconnecting the fog light harness. If applicable, remove the two 13mm bolts holding the bracket blocking the fog light bezel in order to gain access to the fog light bezel.



7. Remove the final 8mm bolt and loosen the plastic retaining clip to remove the fog light bezel from the vehicle.

NOTE: You may need to loosen the two 15mm bolts on the crash bar to give yourself enough room to remove the fog light bezel.



8. Remove the fog light housing from the bezel. To do so, remove the adjustment screw and spring from the fog light housing. Remove the factory fog light housing by prying up on the retainer clips holding it in place.

NOTE: The adjustment screw won't be reused.



9. Install the SS3 bracket on to the factory bezel by flexing the retainer clips on the bezel as required.

See back for further instructions.