

Installation Instructions

Denali Light Mount

Yamaha XT1200Z
Super Tenere '11-'14

LAH.06.10000 Instructions Rev:00

PLEASE READ BEFORE INSTALLING

TWISTED THROTTLE products should be installed by a qualified, experienced motorcycle technician. If you are unsure of your ability to properly install a product, please have the product installed by your local motorcycle dealer. TWISTED THROTTLE takes no responsibility for damages caused by improper installation.





All screws, bolts, and nuts, including all replacement hardware provided by TWISTED THROTTLE should be tightened to the torque specified in the OEM maintenance manual for your motorcycle. If no torque specifications are provided in the OEM maintenance manual, the following torques may be used:

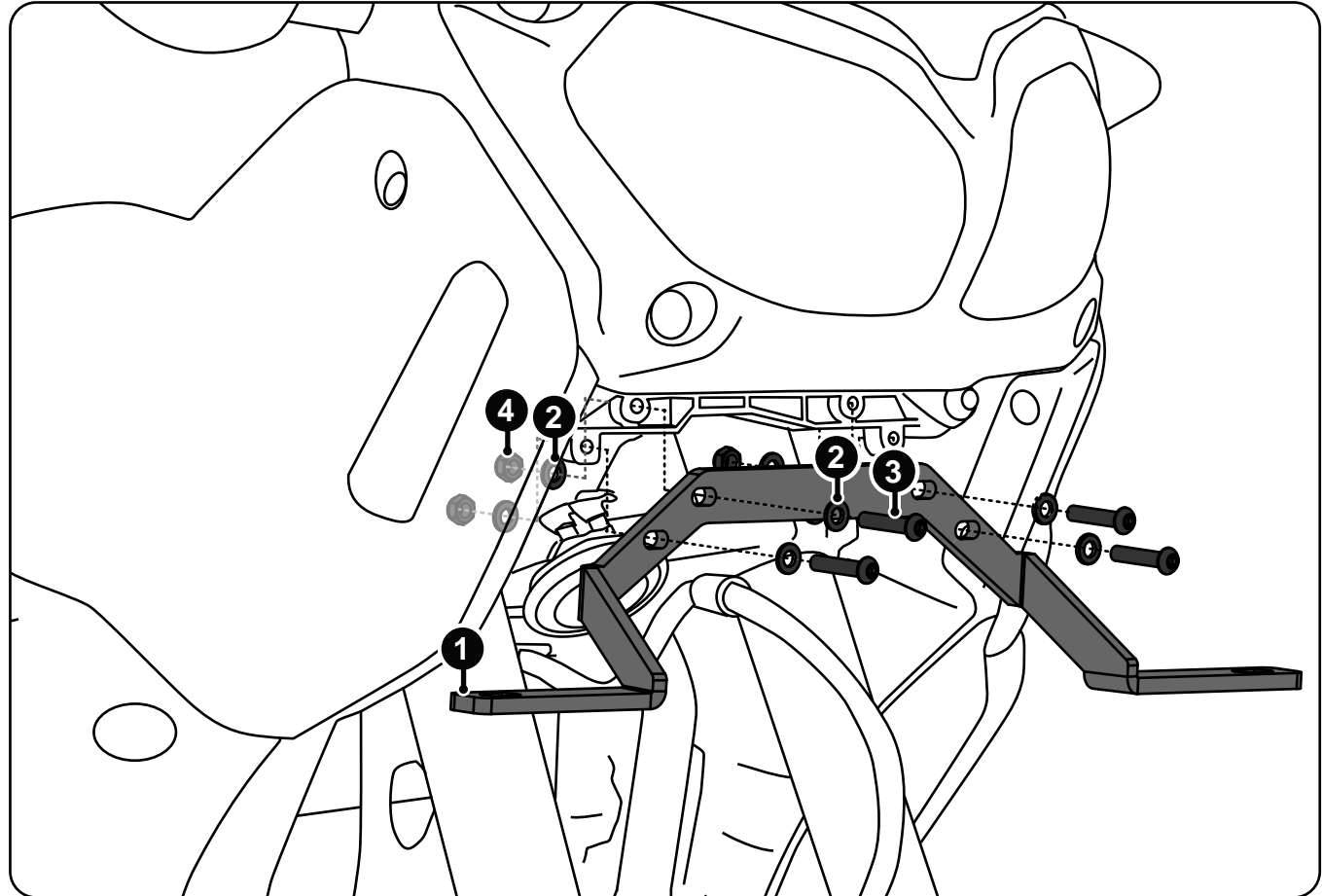
| | |
|---------|-------------------|
| M5..... | 3.5 ft-lbs (5 Nm) |
| M6..... | 7 ft-lbs (9.6 Nm) |
| M8..... | 13 ft-lbs (18 Nm) |

All screws, bolts, and nuts should be checked after driving the first 30 miles (50 km) to ensure that all are tightened to the proper torque.

Medium strength liquid thread-locker (i.e., "Loctite") should be used to secure all screws, bolts, and nuts.

Kit Contents

| | | | |
|--|---|--|---|
| <p>1</p> <p>Bracket</p>  <p>LAH.06.001 Qty.....1</p> | <p>2</p> <p>Washer</p>  <p>M6.....DIN 125 Qty.....8</p> | <p>3</p> <p>Lens Head Screw</p>  <p>M6x30.....ISO 7380 Qty.....4</p> | <p>4</p> <p>Nylock Nut</p>  <p>M6.....DIN 985 Qty.....4</p> |
|--|---|--|---|



Step One: Use the supplied hardware to bolt the bracket to the four mounting points located under the headlight of your motorcycle.