

DENALI™

HMT.08.10200

COMPACT HORN MOUNT

KAWASAKI VERSYS 650

2010 - 2014

Thank you for choosing DENALI

We know you would rather be riding your bike than wrenching on it, so we go the extra mile to make sure our instructions are clear and as easy to understand as possible.

Please Read Before Installing

DENALI products should always be installed by a qualified motorcycle technician. If you are unsure of your ability to properly install a product, please have the product installed by your local motorcycle dealer. DENALI takes no responsibility for damages caused by improper installation. **Caution:** When installing electronics it is extremely important to pay close attention to how wires are routed, especially when mounting products to the front fender, front forks, or fairing of your motorcycle. Always be sure to turn the handlebars fully left, fully right, and fully compress the suspension to ensure the wires will not bind and have enough slack for your motorcycle to operate properly.

Installation Tips

We strongly recommend using medium strength liquid thread locker on all screws, nuts, and bolts. It is also important to ensure that all hardware is tightened to the proper torque specifications as listed in your owner's manual. For included accessory hardware please refer to the default torque specifications provided below. Inspect all hardware after the first 30 miles to ensure proper torque specifications are maintained.

Bolt Size	in-lbs	ft-lbs	Nm
M3	10.0 in-lbs	-	1.0 Nm
M4	23.0 in-lbs	-	2.5 Nm
M5	44.5 in-lbs	3.5 ft-lbs	5.0 Nm
M6	78.0 in-lbs	6.5 ft-lbs	9.0 Nm
M8	-	13.5 ft-lbs	18.0 Nm
M10	-	30.0 ft-lbs	41.0 Nm
M12	-	52.0 ft-lbs	71.0 Nm

Hardware Sizing Guide

Not sure what size bolt you have? Use this metric ruler to measure screws, bolts, spacers, etc. Remember, the length of a screw or bolt is measured from the start of the "mounting surface" to the end of the screw, so only include the screw head when measuring countersunk screws.

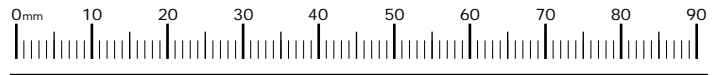


FIGURE 1

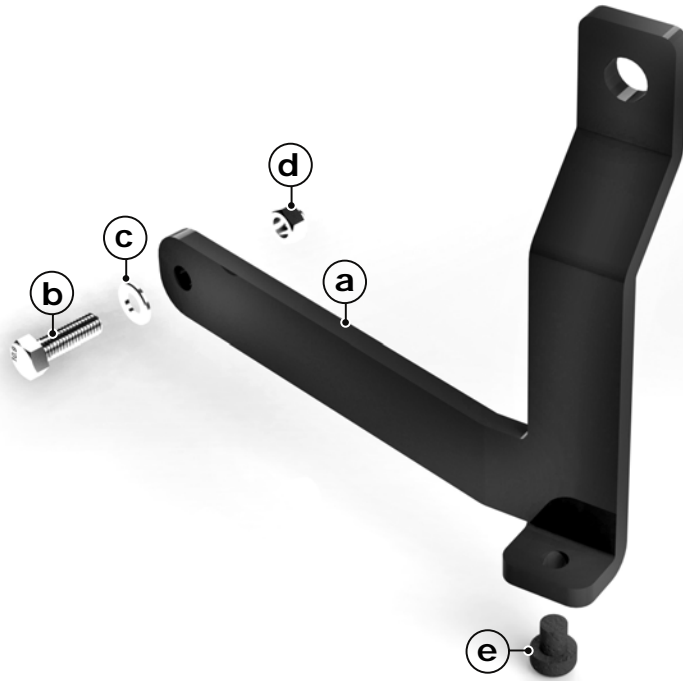


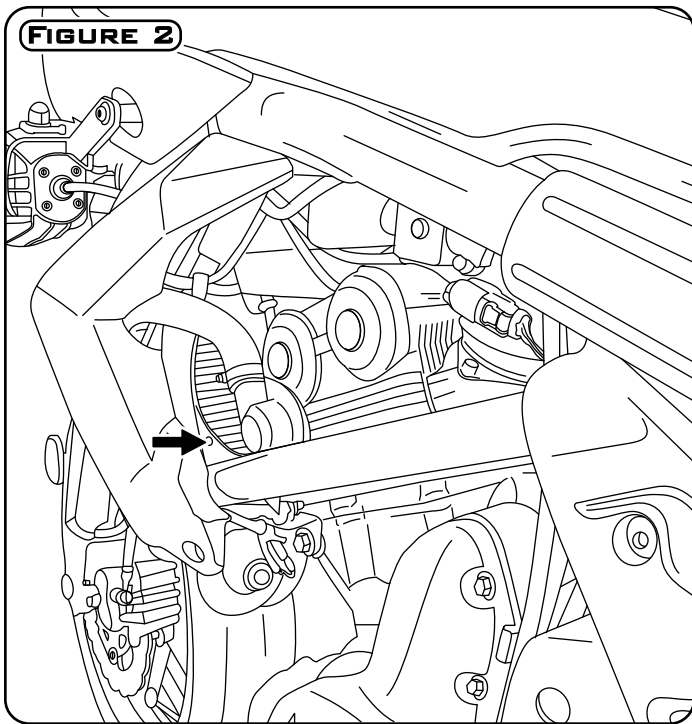
Illustration not to scale

Kit Contents

- (a) Mounting Bracket.....Qty 1
- (b) M5x16 DIN 933.....Qty 1
- (c) M5 Washer DIN 125.....Qty 1
- (d) M5 Nut DIN 985.....Qty 1
- (e) Push-In Rubber Bumper.....Qty 1

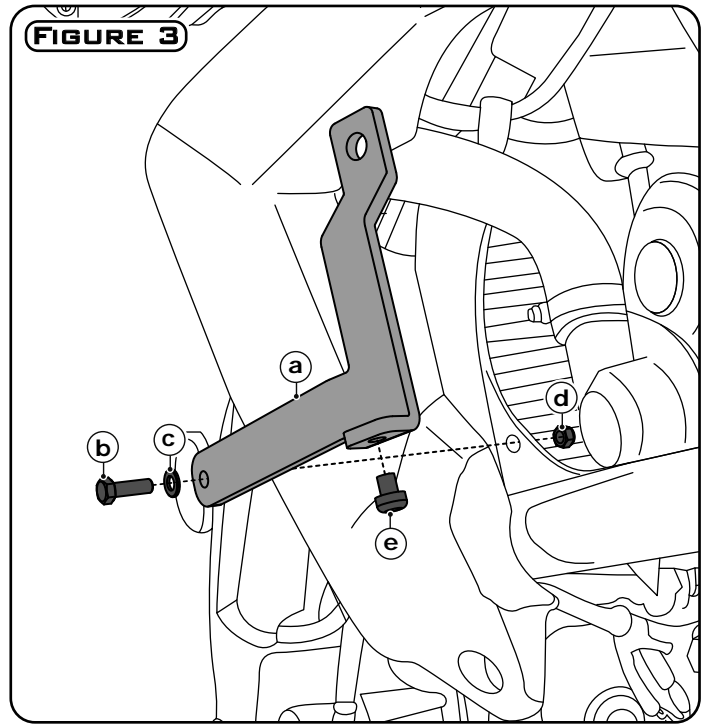
Tools Required

- 13mm Wrench
- 10mm Wrench (x2)



Identify Your Mounting Point

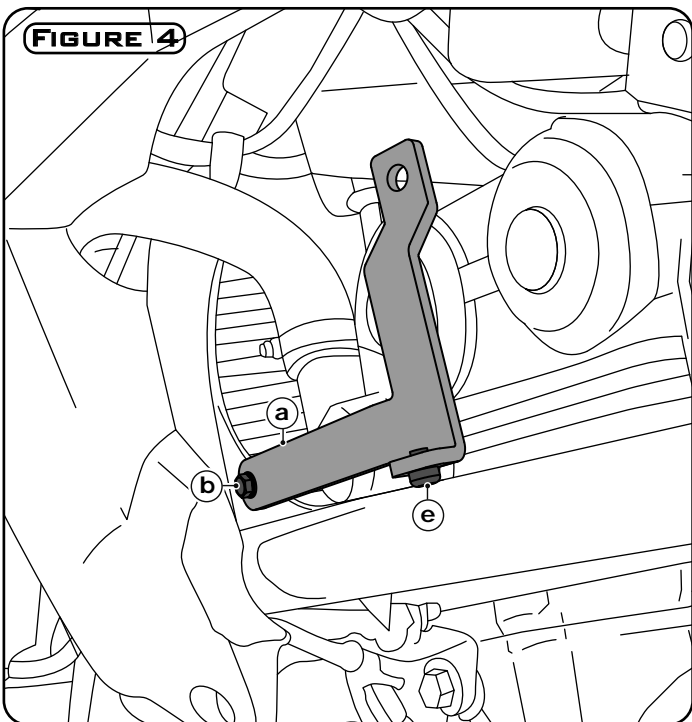
Step One: On the left hand side of the motorcycle, just behind the radiator, there's a gusset on the frame tube. The 5mm hole in the center of the frame gusset will be used to mount the bracket.



Mounting The Bracket

Step Two: Press the push-in bumper (e) into the hole on the small tab of the bracket (a).

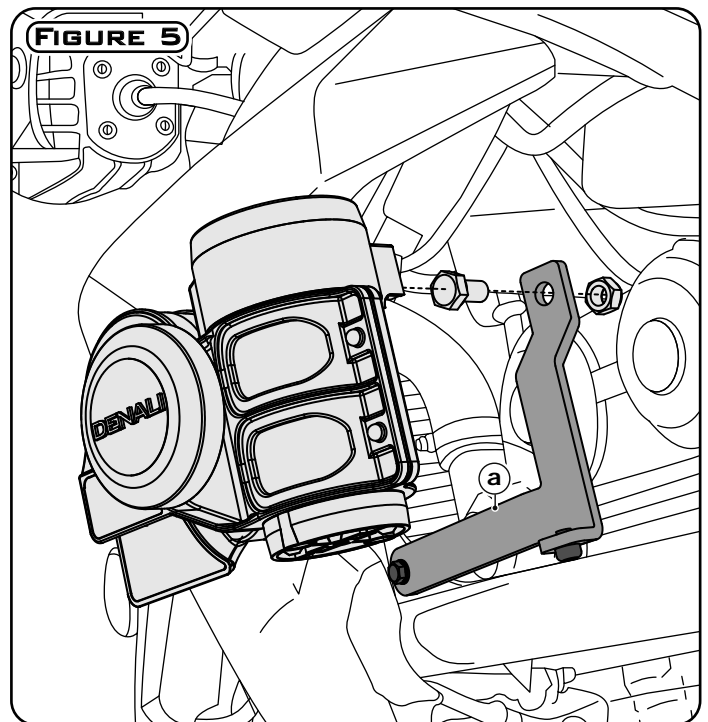
Step Three: Use the M5x16 bolt (b), washer (c) and nut (d) to loosely bolt the bracket (a) to the hole in the frame gusset.



Tightening the Bracket

Step Four: Position the bracket (a) so that the push-in bumper (e) rests on top of the motorcycle's frame tube.

Step Five: Tighten bolt (b) to 3.5 ft-lbs, be sure that the rubber bumper remains in contact with the frame tube.



Mounting The Horn

Step Six: Use the hardware supplied with the horn to mount it to the bracket (a)

Caution: Its extremely important to pay close attention to how you route the wires.

Step Seven: Before operating the motorcycle, turn the handlebars fully left, fully right and fully compress the suspension. Confirm that the wires have enough slack to account for all suspension and steering movement.