

## Denali Horn Mount

**BMW F800GS '13-'14**  
**BMW F700GS '13-'14**

HMT.07.10000 Instructions Rev:01

### PLEASE READ BEFORE INSTALLING

TWISTED THROTTLE products should be installed by a qualified, experienced motorcycle technician. If you are unsure of your ability to properly install a product, please have the product installed by your local motorcycle dealer. TWISTED THROTTLE takes no responsibility for damages caused by improper installation.

All screws, bolts, and nuts, including all replacement hardware provided by TWISTED THROTTLE should be tightened to the torque specified in the OEM maintenance manual for your motorcycle. If no torque specifications are provided in the OEM maintenance manual, the following torques may be used:






M5.....	3.5 ft-lbs (5 Nm)
M6.....	7 ft-lbs (9.6 Nm)
M8.....	13 ft-lbs (18 Nm)

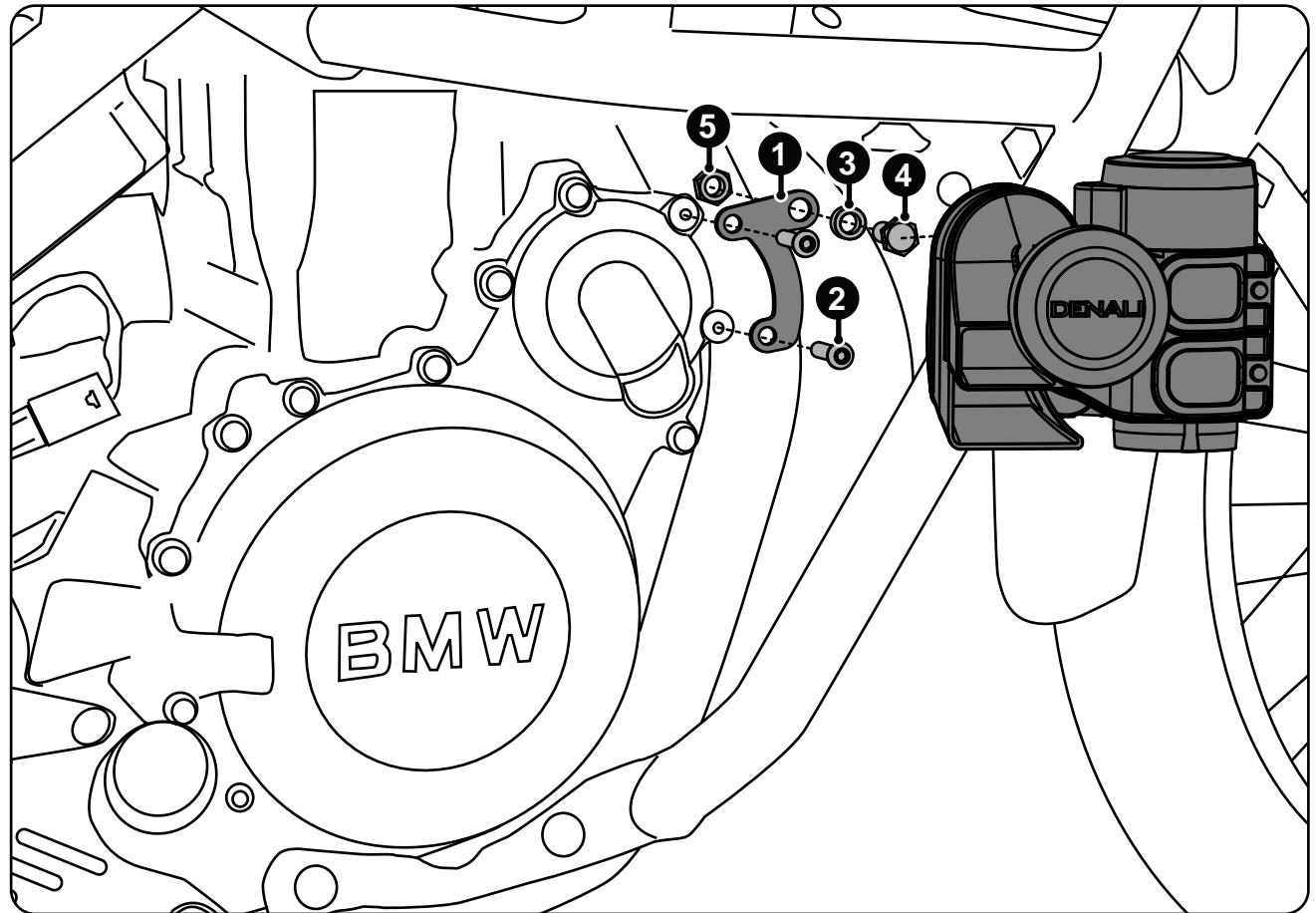
All screws, bolts, and nuts should be checked after driving the first 30 miles (50 km) to ensure that all are tightened to the proper torque.

Medium strength liquid thread-locker (i.e., "Loctite") should be used to secure all screws, bolts, and nuts.

## Installation Instructions

**Kit Contents**

<b>1</b> Horn Bracket  HMT.07.002 Qty.....1	<b>2</b> Lens Head Screw  M6x35.....ISO 7380 Qty.....2	<b>3</b> Spacer  OD: 12.7mm ID: 8.1mm L: 6.75mm Qty.....1	<b>4</b> Hex Head Screw  M6x25.....ISO 7380 Qty.....1	<b>5</b> Nylock Nut  M8.....DIN 985 Qty.....1
--	---	--	--	--



Step One: Using the supplied hardware mount the bracket to the motorcycle as illustrated above.

Step Two: Using the supplied hardware mount the horn to the mounting bracket.