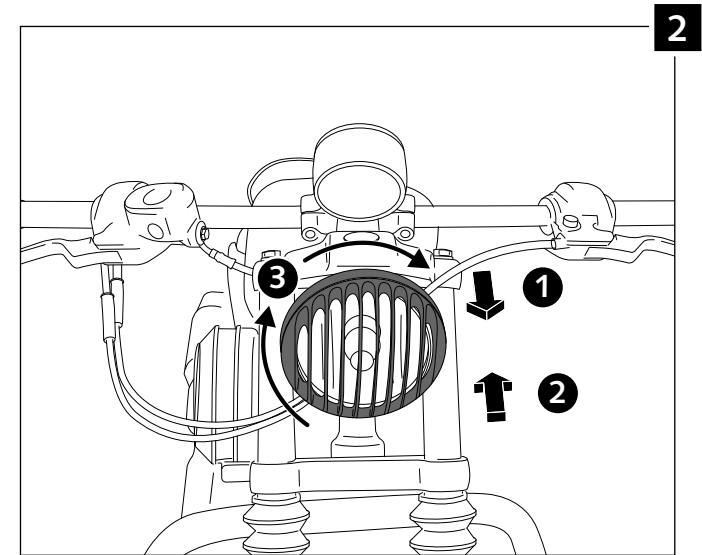
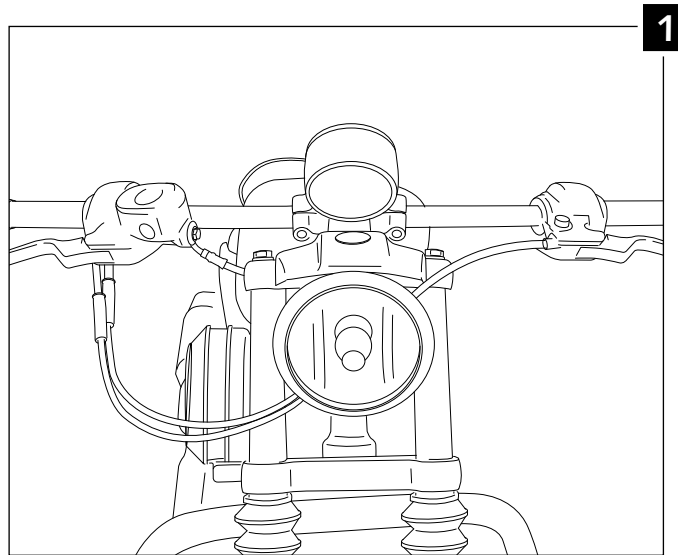


HEADLIGHT PROTECTOR

Ref.: FAR001N

MOUNTING INSTRUCTIONS

If you are not mechanical, please contact a specialist workshop. MOTOACCES no responsibility for damage caused by incorrect assembly of the product.



ID.	DESCRIPTION	REF.	QTY.
1	Headlight protector	FAR001N	1