

# CustomAcces

HD SPORTSTER IRON XL883N / HD SPORTSTER IRON XL1200N  
HD SPORTSTER NIGHTSTER X1200N / HD SPORTSTER SEVENTY TWO XL1200V '04-'15

## M O U N T I N G I N S T R U C T I O N S

REF DGG001N

ENGINE GUARDS MUSTACHE MODEL



FOR TO ASSEMBLE THE CRASH PADS, IF YOU ARE NOT A TRAINED MECHANIC, PLEASE CONTACT A SPECIALIST. MOTOPLASTIC, S.A. TAKES NO RESPONSIBILITY FOR DAMAGES CAUSED BY IMPROPER INSTALLATION. THE USE OF CRASH PADS DO NOT GUARANTEE A FULL PROTECTION IN CASE OF ACCIDENT. MOTOPLASTIC-PUIG DECLINE ANY RESPONSIBILITY IN CASE OF MOTORCYCLE DAMAGE.

Accessory verified in the basic configuration of the motorcycle. For models with extra factory settings. We cannot assure its compatibility, except for prior consultation. We decline any eventual claim.

ID.	DESCRIPTION	QTY.	REF.:
1	Engine guard	1	DGG001N
2	M10x25 whitworth 3/8 screw	2	-----
3	M10 DIN9021 washer	2	-----

# CustomAcces

HD SPORTSTER IRON XL883N / HD SPORTSTER IRON XL1200N  
HD SPORTSTER NIGHTSTER X1200N / HD SPORTSTER SEVENTY TWO XL1200V '04-'15

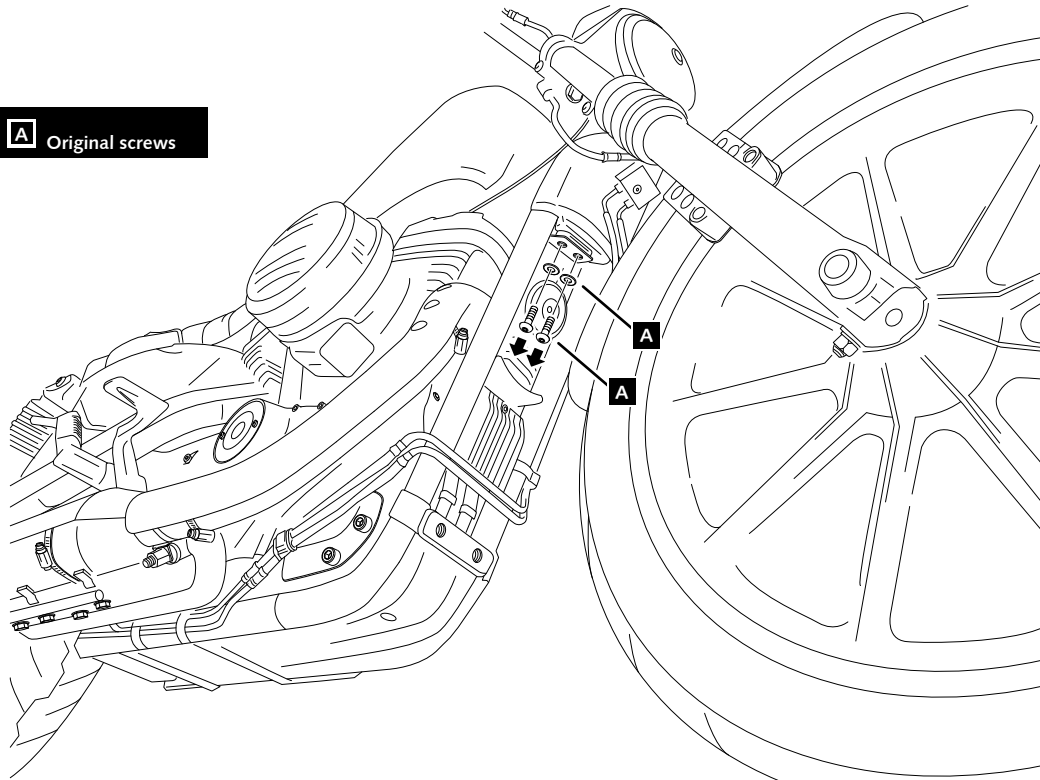
REF  
DGG001N

## MOUNTING INSTRUCTIONS

1

DISASSEMBLY

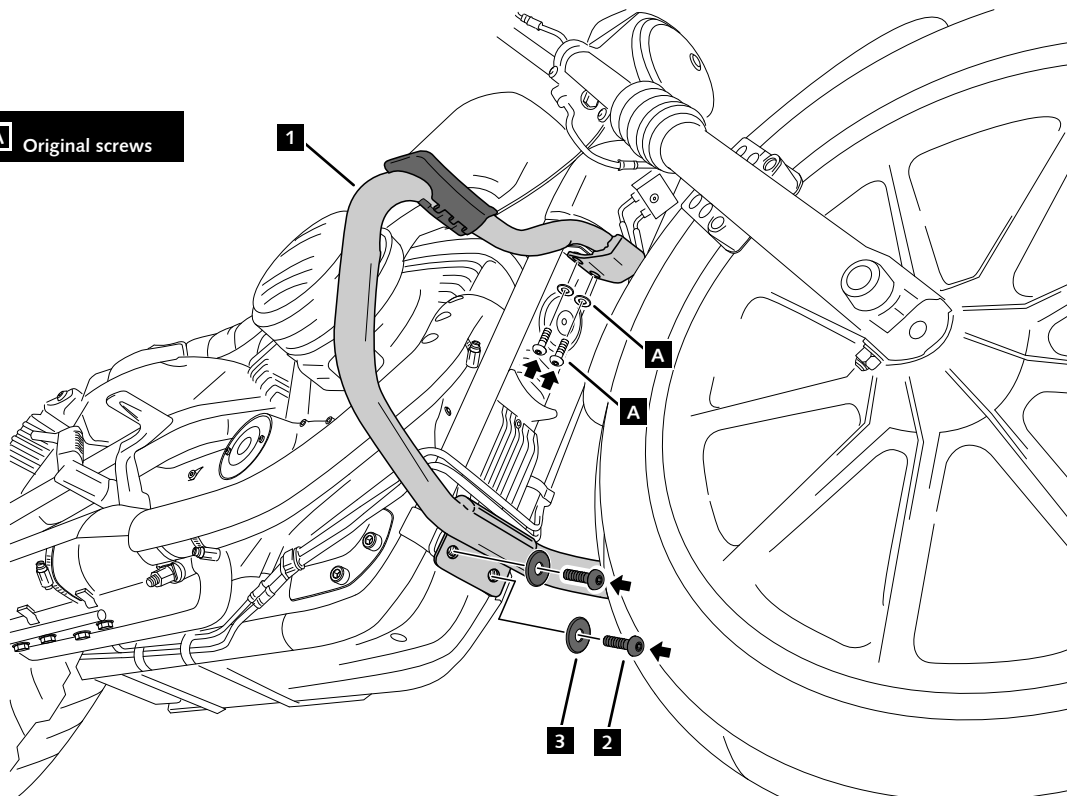
**A** Original screws



2

ASSEMBLY

**A** Original screws



Check out the collection of motorcycle guards & protection we offer.