

CustomAcces

HARLEY DAVIDSON SPORSTER 883

M O U N T I N G I N S T R U C T I O N S

REF CUPO015

DARK NIGHT SEMIFAIRING



It would be convenient to retighten the semifairing screws, especially the ones that are fixed to the motorcycle, whenever you maintain the vehicle. **Thanks for your attention.**

ID.	DESCRIPTION	QTY.	REF.
1	Dark Night semifairing	1	DAKNIGHK
2	Screen	1	PANTDKNH/F/NM3
3	Right metal support (R)	1	SOP2P3R-CUP0015
4	Left metal support (L)	1	SOP2P3L-CUP0015
5	ANSIB 18.3 CLASE 12.9 UNC 3/8"x51 allen screw	2	TORNI-ANSIB-846
6	Ø10,5 x Ø16 x 15 spacer	2	CASQUI-----845
7	M5 silentblock	11	SILENBTM5-046/1
8	M5x1 nylon washer	11	ARNV0000000245
9	M5x16 Ø11 ISO 7380 allen screw	11	TORNI-I7380-493
10	M5 ISO 7380 screw cap	11	TAPON-----85
11	Black Cable ties	1	ABR-00101100539

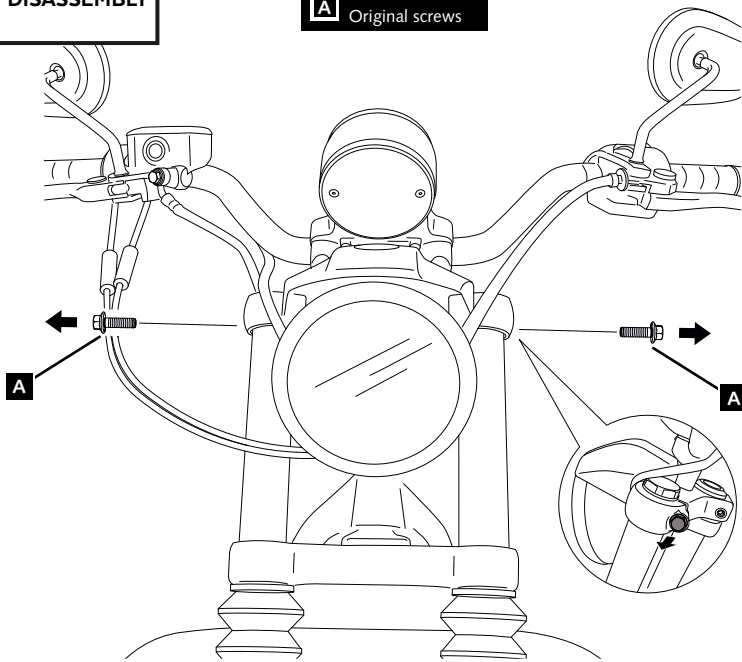
CustomAcces

HARLEY DAVIDSON SPORSTER 883

1

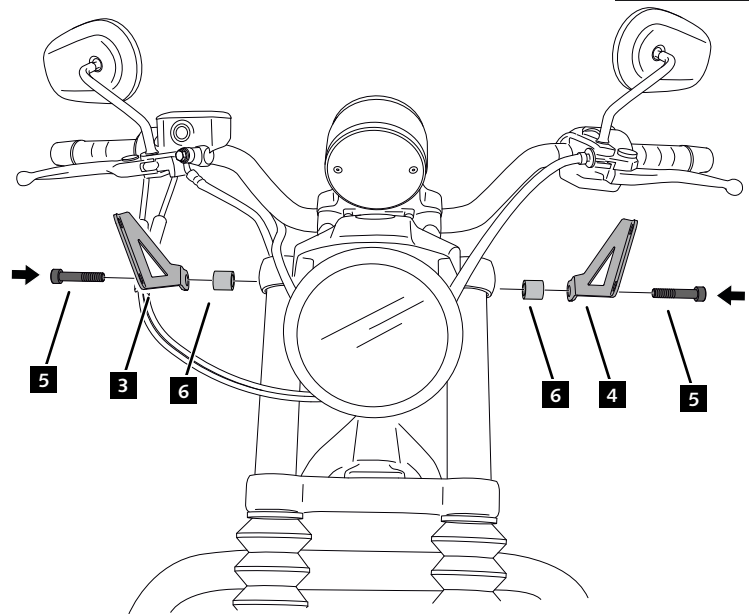
DISASSEMBLY

A Original screws



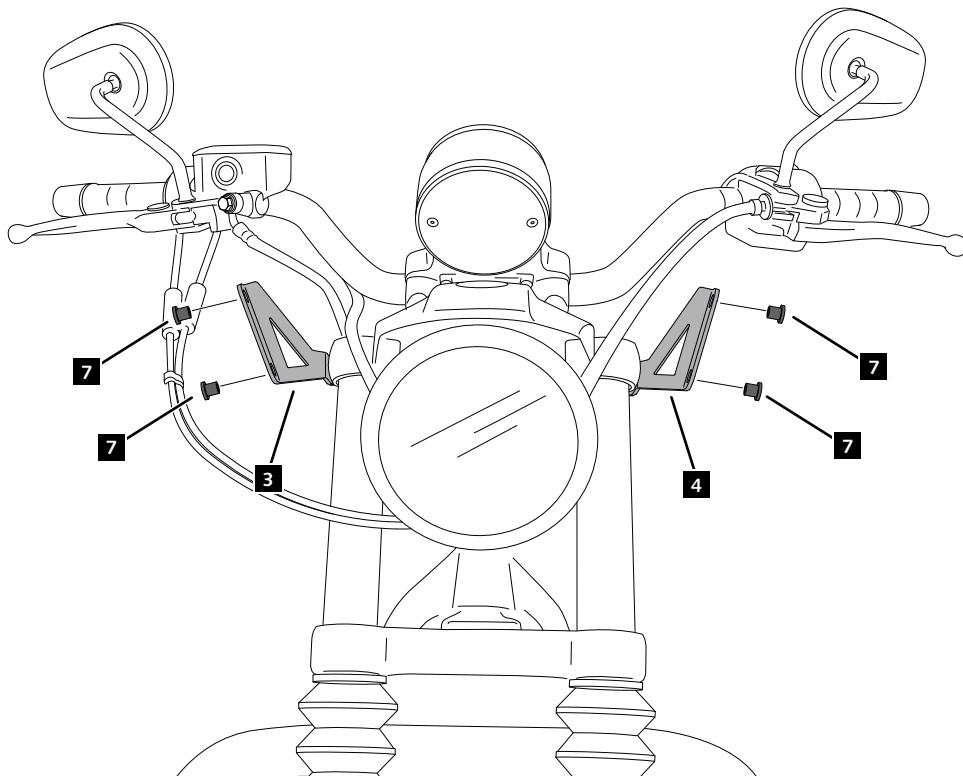
2

ASSEMBLY



3

ASSEMBLY

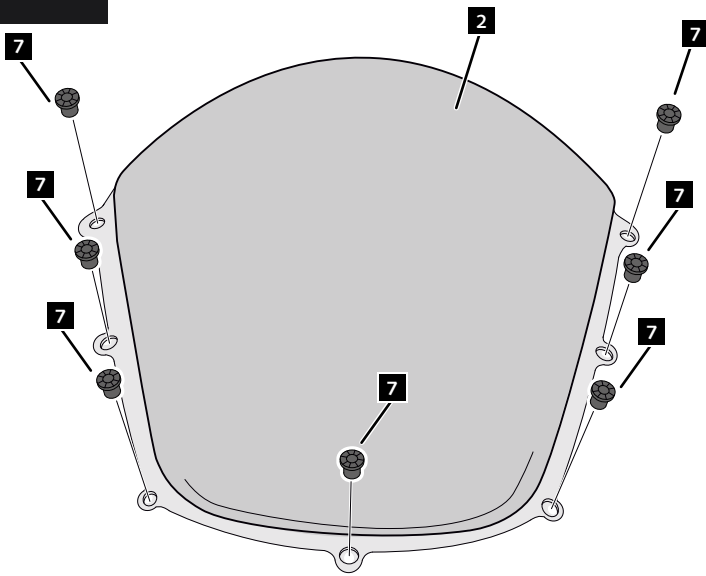


CustomAcces

HARLEY DAVIDSON SPORSTER 883

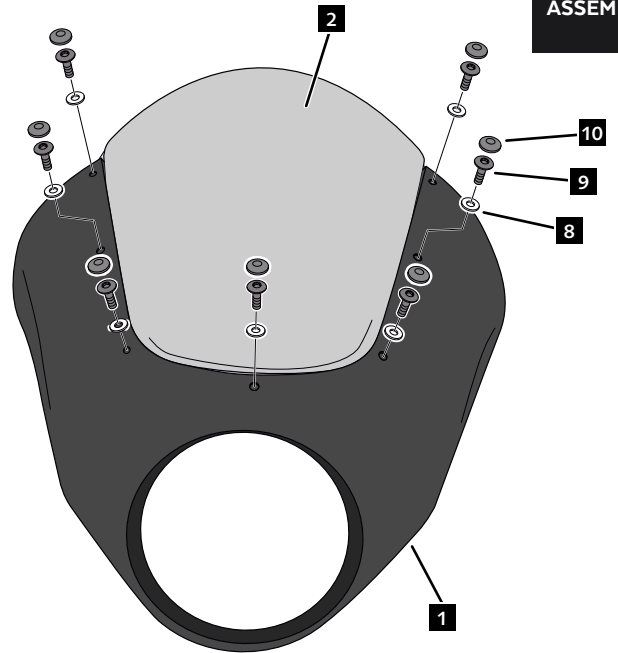
4

ASSEMBLY



5

ASSEMBLY



6

ASSEMBLY

