

# CustomAcces

## YAMAHA XV950R '14-

### M O U N T I N G I N S T R U C T I O N S

REF CUPO013

SEMIFAIRING DARK NIGHT MODEL



1 Person



20 min



EASY



10



ALLEN

Nº 3

Nº 6

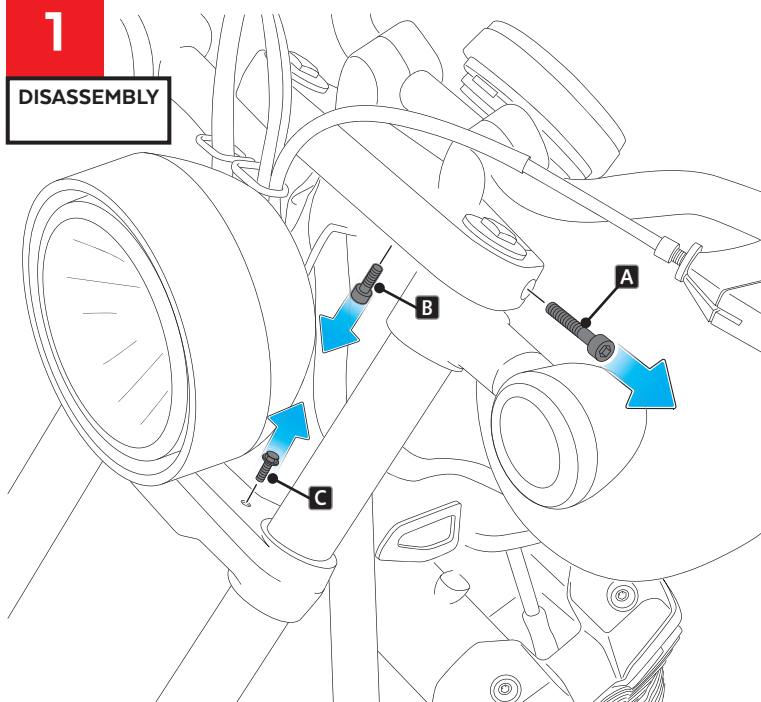
ID	PART	DESCRIPTION	QTY	REF
1		Dark Night semifairing	1	DAKNIGHT
2		Screen	1	PANTDKNH/F/NM3
3		Upper Left support	1	SOP4P4SRCUP0013
4		Upper Right support	1	SOP4P4SLCUP0013
5		Lower Left support	1	SOP4P4IRCUP0013
6		Lower Right support	1	SOP4P4ILCUP0013
7		M8x45 DIN912 screw	2	TORNI-AD912-508
8		Ø8x Ø13x 15 spacer	2	CASQUI-M----614
9		Ø9 xØ6 x8mm silentblock	4	AROPASACABLES-3
10		M5x1 nylon washer	7	ARNV0000000245
11		M5x16 Ø11 ISO 7380 Allen screw	9	TORNI-I7380-493
12		M5 ISO 7380 screw cap	11	TAPON-----85
13		Ø12xØ6,8x7,3 bush with flange	4	CASQUI-1A---750
14		M5 silentblock	7	SILENBTM5-046/1
15		M5x11 Ø11 ISO 7380 Allen screw	2	TORNI-AI----520
16		10x15mm adhesive protective foam	2	ESPUMA-----264

# Custom Acces

## YAMAHA XV950R '14-

1

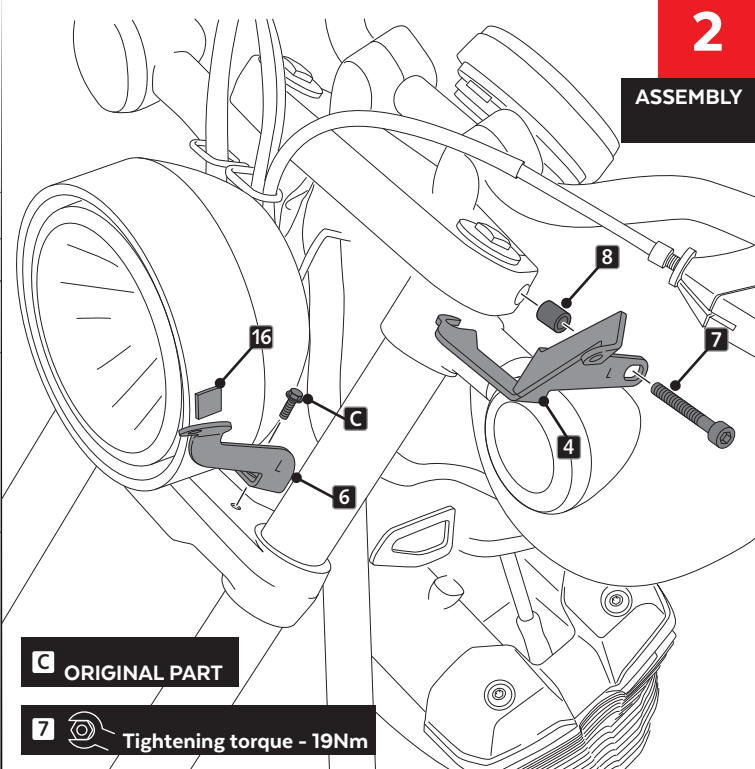
DISASSEMBLY



**B/C** To facilitate the disassembly or assembly of the B/C screws it is recommended to use a flexible extension.

2

ASSEMBLY

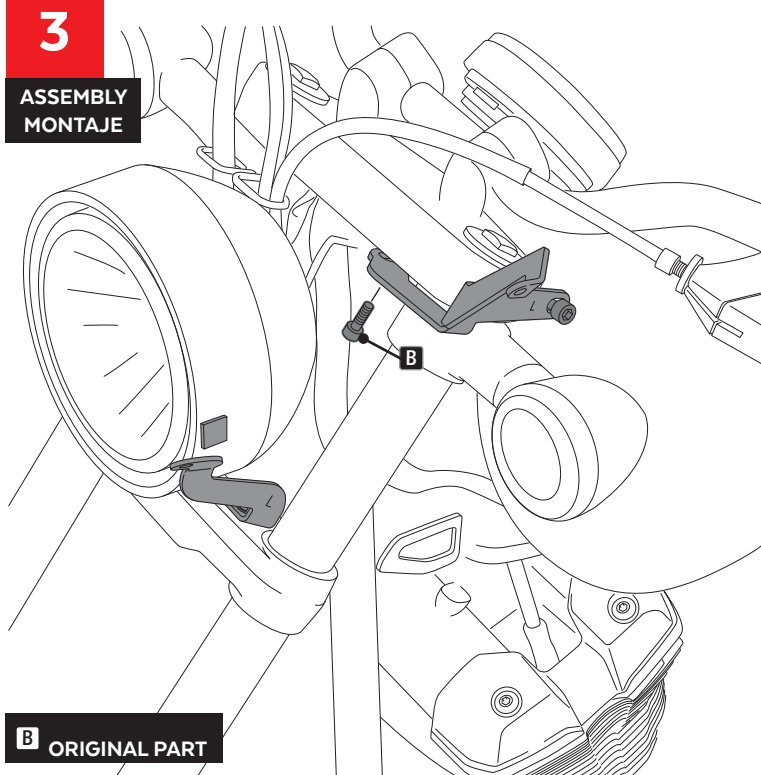


**C** ORIGINAL PART

**7** Tightening torque - 19Nm

3

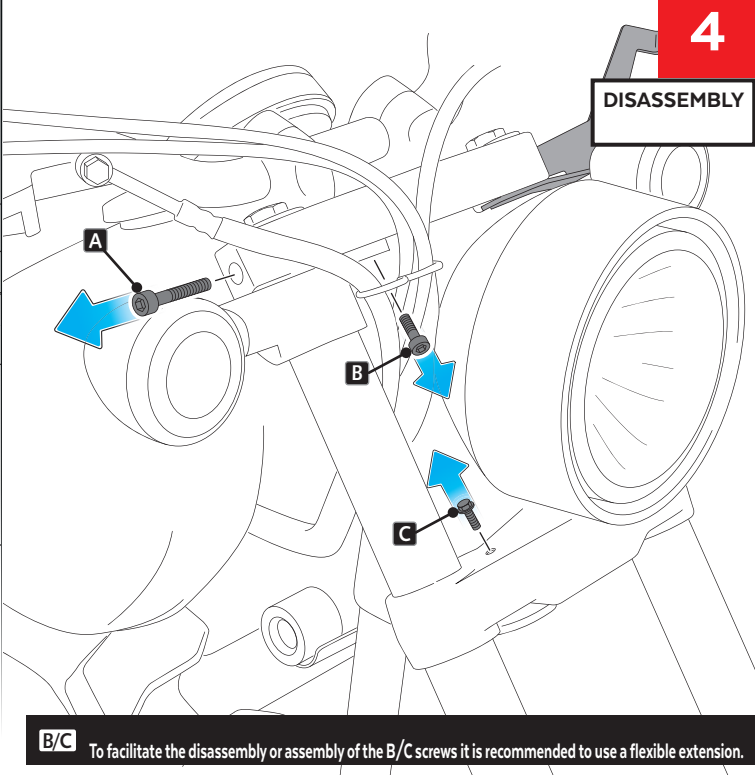
ASSEMBLY  
MONTAJE



**B** ORIGINAL PART

4

DISASSEMBLY



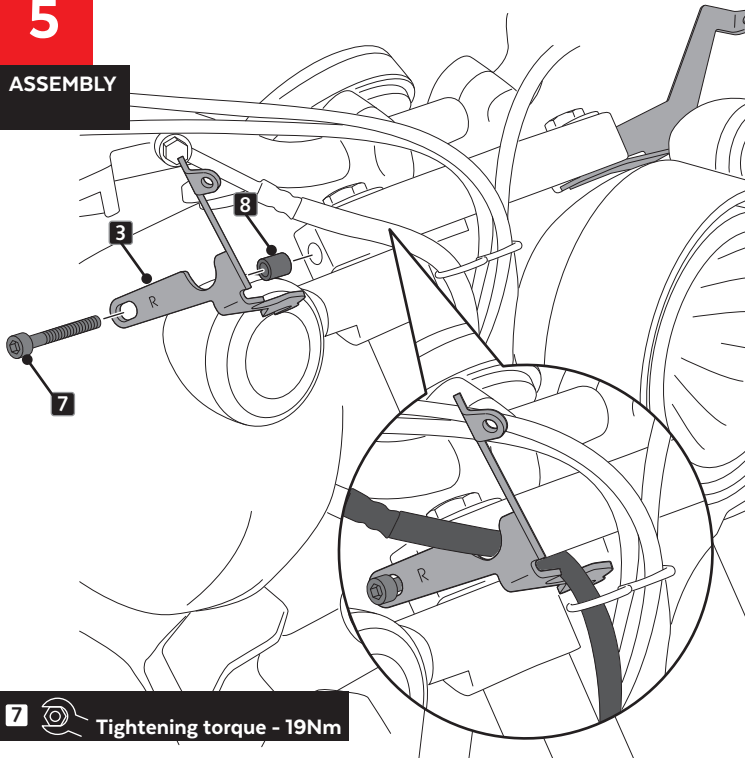
**B/C** To facilitate the disassembly or assembly of the B/C screws it is recommended to use a flexible extension.

# CustomAcces

## YAMAHA XV950R '14-

5

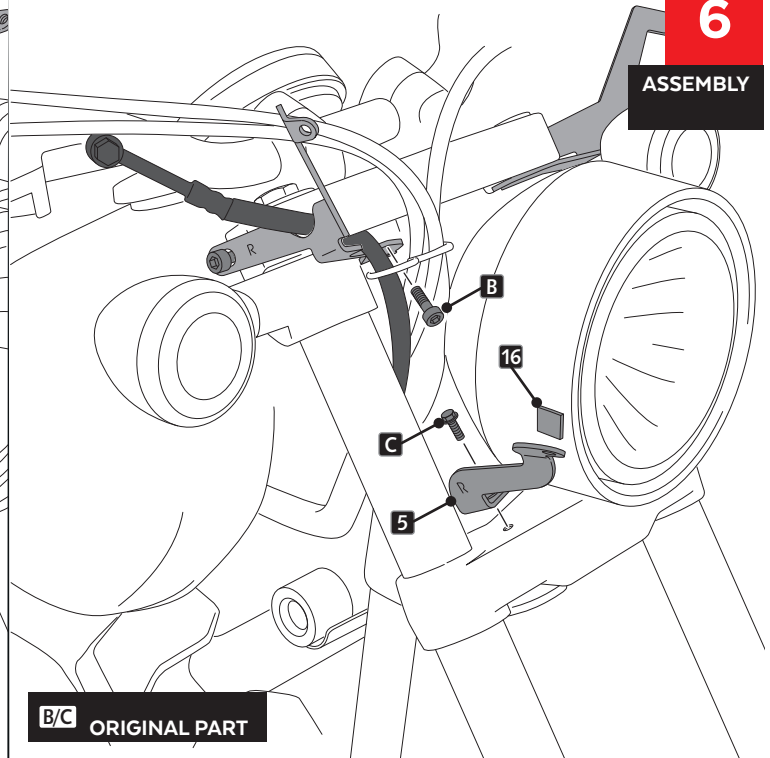
ASSEMBLY



7 Tightening torque - 19Nm

6

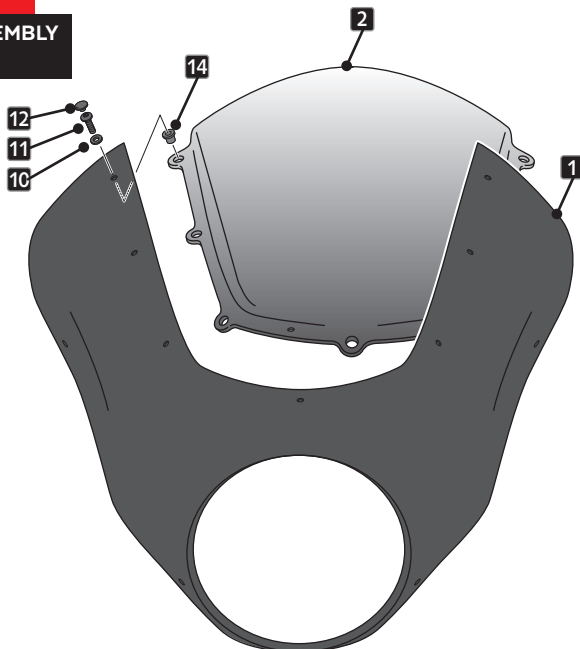
ASSEMBLY



B/C ORIGINAL PART

7

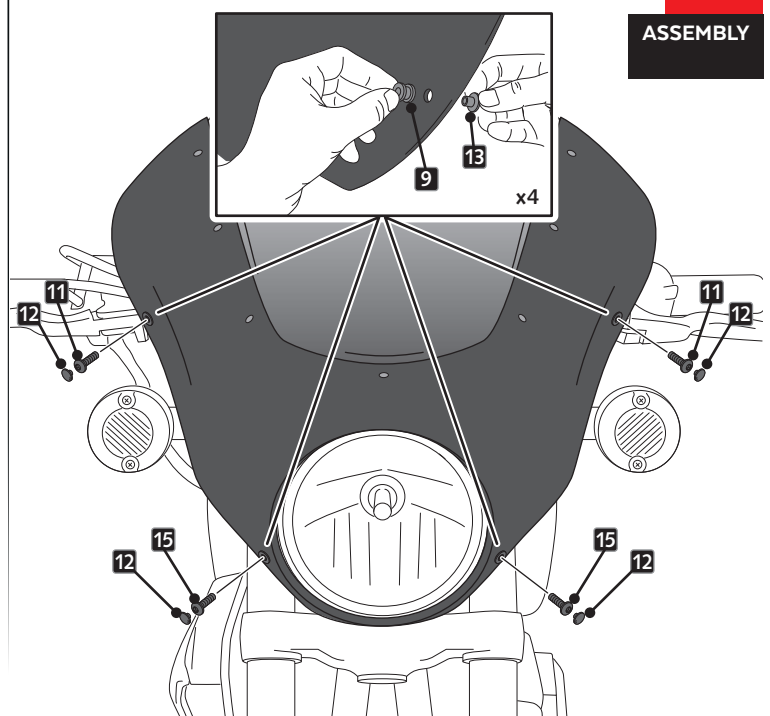
ASSEMBLY



B/C ORIGINAL PART

8

ASSEMBLY



B/C ORIGINAL PART