

Custom Acces

KAWASAKI VULCAN S '15-

M O U N T I N G I N S T R U C T I O N S

REF CUP0012

SEMIFAIRING DARK NIGHT MODEL

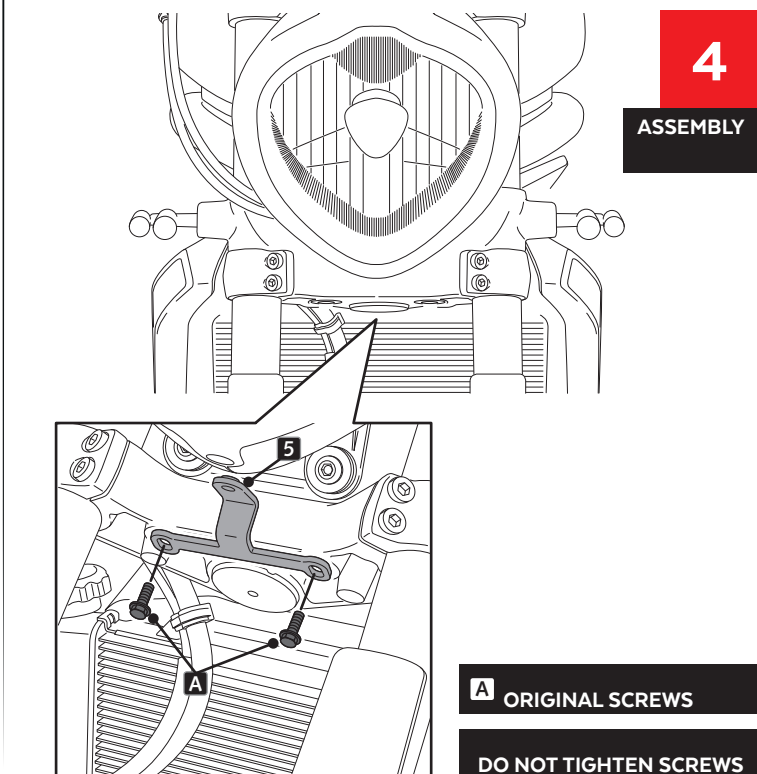
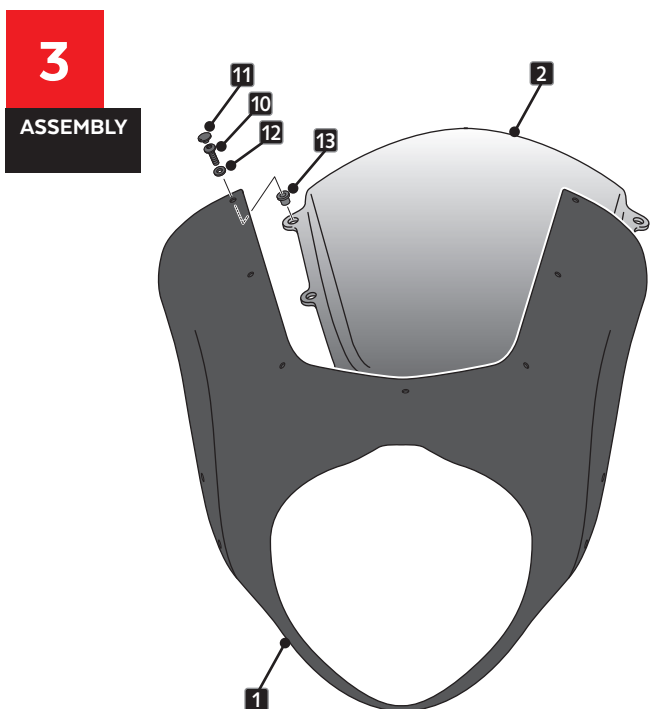
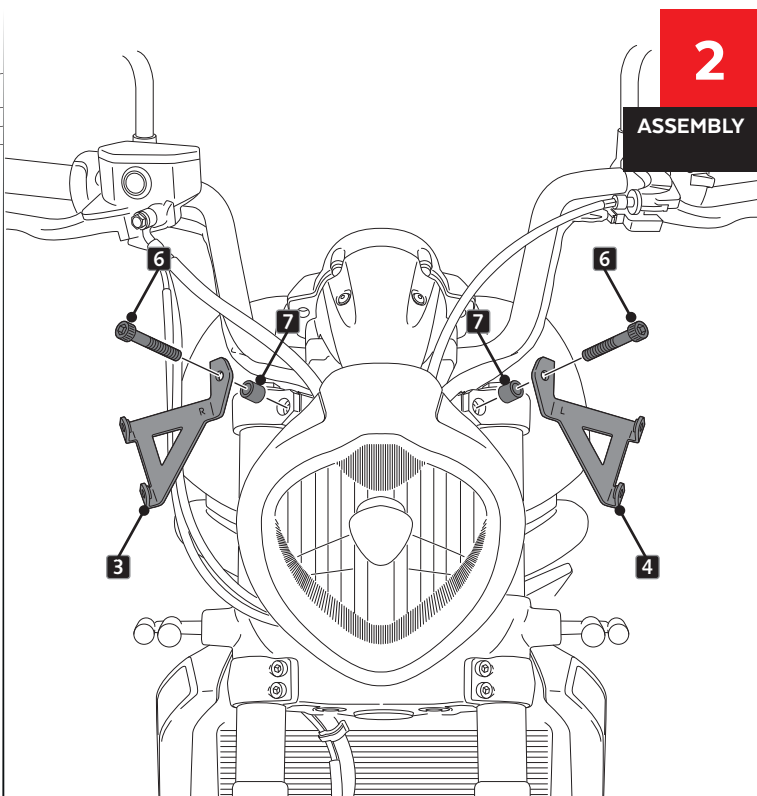
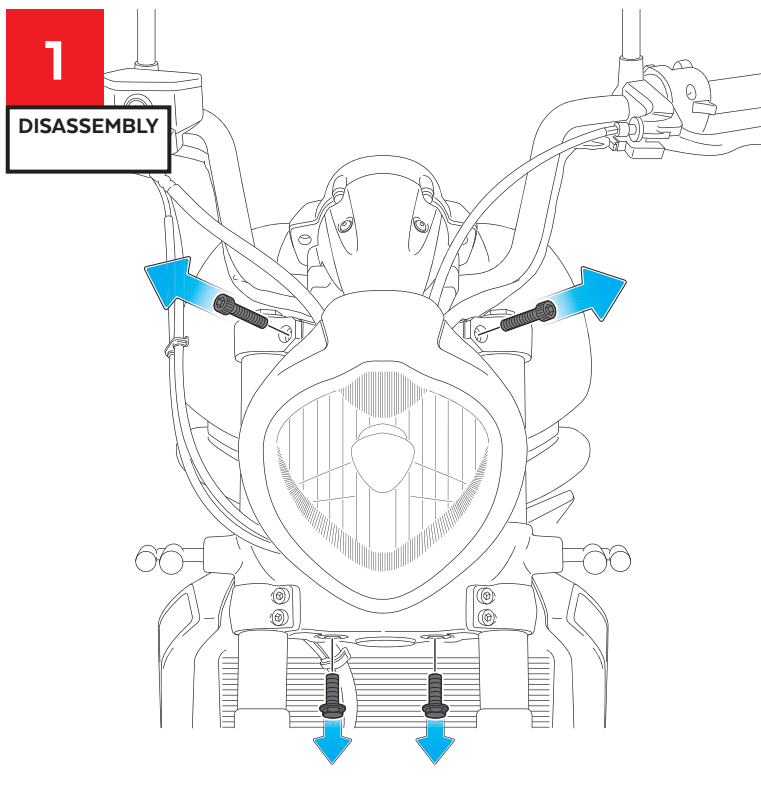


It would be convenient to retight the semifairing screws, specially the ones that are fixed to the motorcycle, whenever you maintain the vehicle. **Thanks for your attention.**

ID	PART	DESCRIPTION	QTY	REF
1		Semifairing	1	DAKNIGHC
2		Screen	1	PANTDKNH/F/NM3
3		Right support (R)	1	SOP3P2R-CUP0012
4		Left support (L)	1	SOP3P2L-CUP0012
5		Lower support	1	SOP3P2I-CUP0012
6		M8x50 DIN912 Allen screw	2	TORNI-D912--532
7		Ø8,5 x Ø13x 15 spacer	2	CASQUI-M----614
8		Ø9 x Ø6 x 8mm silentblock	5	AROPASACABLES-3
9		Ø12xØ6,8x7,3 bush with flange	5	CASQUI-1A---750
10		M5x16 Ø11 ISO 7380 Allen screw	12	TORNI-I7380-493
11		M5 ISO 7380 screw cap	12	TAPON-----85
12		M5x1 nylon washer	7	ARNV0000000245
13		M5 silentblock	7	SILENBTM5-046/1

Custom Acces

KAWASAKI VULCAN S '15-

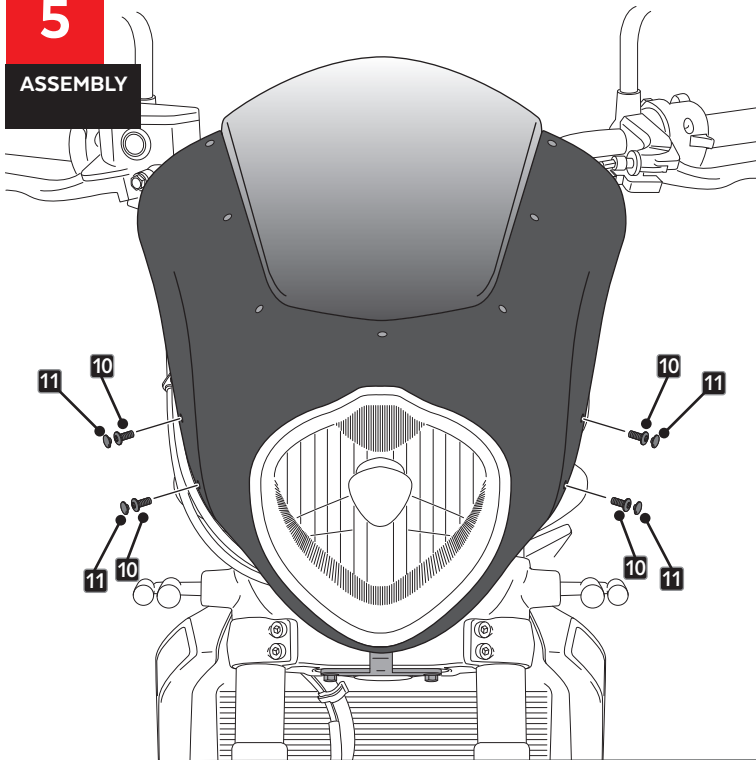


CustomAcces

KAWASAKI VULCAN S '15-

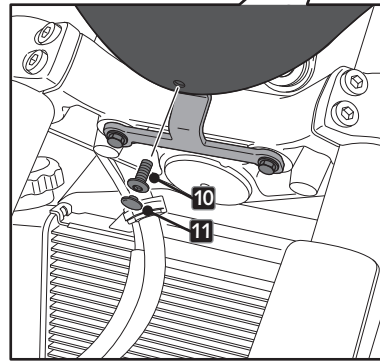
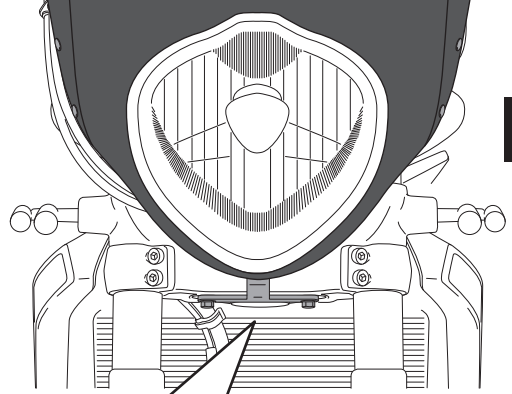
5

ASSEMBLY



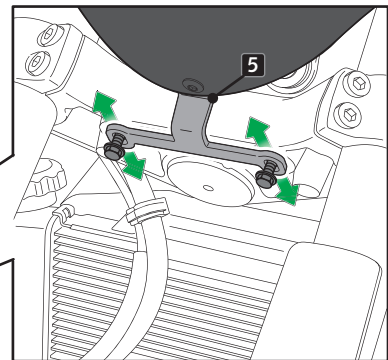
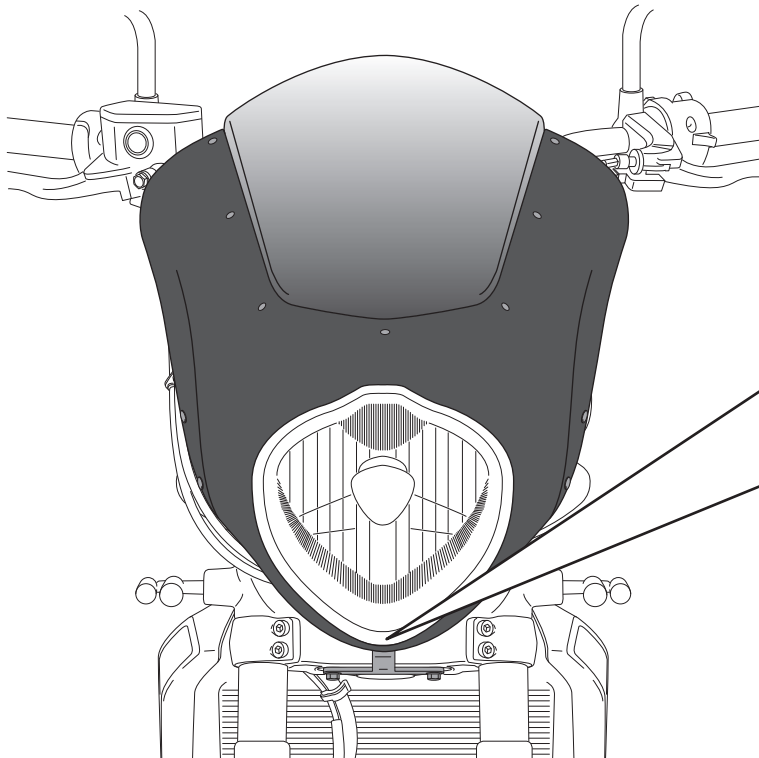
6

ASSEMBLY



7

ASSEMBLY



ADJUST ID-5 POSITION AND
TIGHTEN SCREWS