

# CustomAcces

HONDA REBEL CMX 300-500 '17- / S' 20-

## M O U N T I N G I N S T R U C T I O N S

REF CUPO01H/F

**DARK NIGHT SEMIFAIRING**



**ONLY FOR REBEL "S":** BEFORE INSTALLING THE PRODUCT, TAKE APART THE OEM SEMI-FAIRING



It would be convenient to retight the semifairing screws, specially the ones that are fixed to the motorcycle, whenever you maintain the vehicle. **Thanks for your attention.**

ID.	DESCRIPTION	QTY.	REF.
1	Dark Night semifairing	1	DAKNIGHT
2	screen	1	PANTDKNH/FM3
3	Upper Right support (SR)	1	SOP4P7SRCUP0011
4	Upper Left support (SL)	1	SOP4P7SLCUP0011
5	Lower Right support (IR ••)	1	SOP4P7IRCUP0011
6	Lower Left support (IL •)	1	SOP4P7ILCUP0011
7	M8x45 ISO 7380 Allen screw	2	TORNI-I7380-817
8	Ø14 x Ø8 x 9 spacer	2	CASQUI-----0100
9	Ø9 x Ø6 x 8mm silentblock	4	AROPASACABLES-3
10	Ø12 x Ø6,8 x 7,3 bush with flange	4	CASQUI-1A---750
11	M5x16 Ø11 ISO 7380 allen screw	11	TORNI-I7380-493
12	Ø4,5 x Ø11 x 2mm Rubber washer	2	ARAND-EPDM--722
13	M5x1 nylon washer	7	ARNV0000000245
14	M5 ISO 7380 screw cap	11	TAPON-----85
15	M5 silentblock	7	SILENBTM5-046/1
16	M5x11 Ø11 ISO 7380 Allen screw	2	TORNI-AI----520

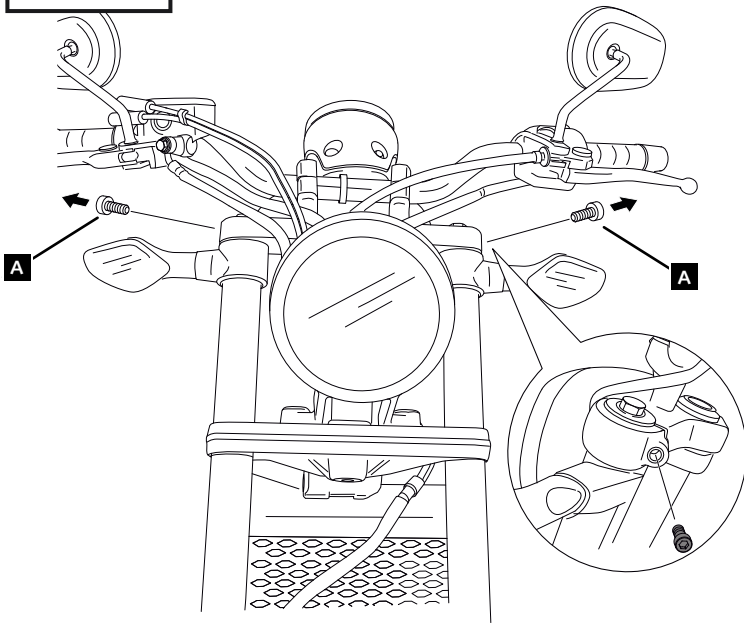
# CustomAcces

HONDA REBEL CMX 300-500 '17- / S' 20-

1

DISASSEMBLY

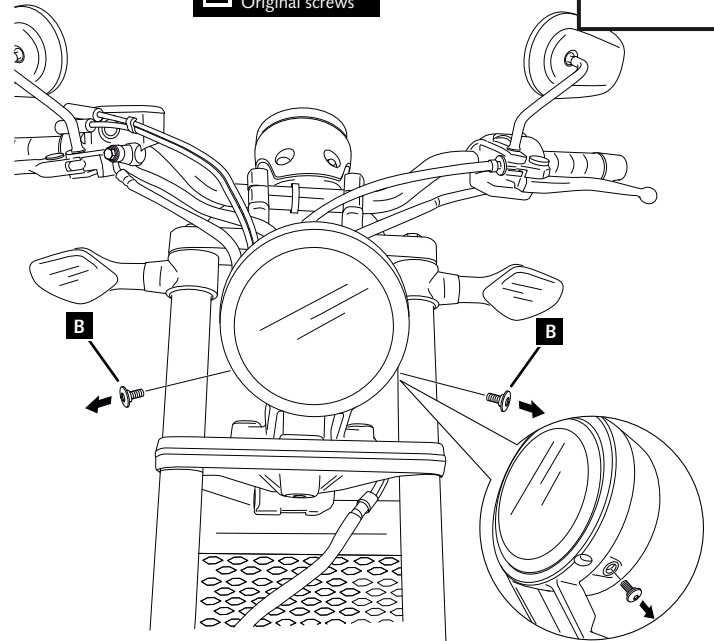
**A** Original screws



2

DISASSEMBLY

**B** Original screws

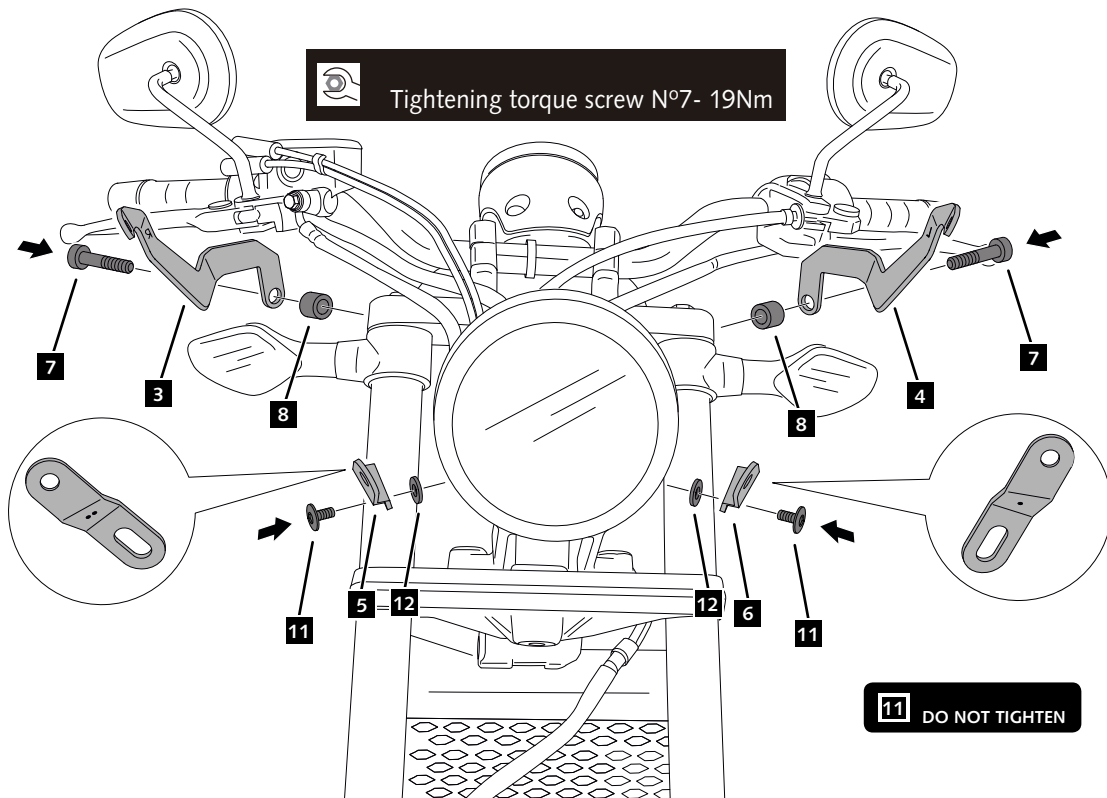


3

ASSEMBLY



Tightening torque screw N°7- 19Nm



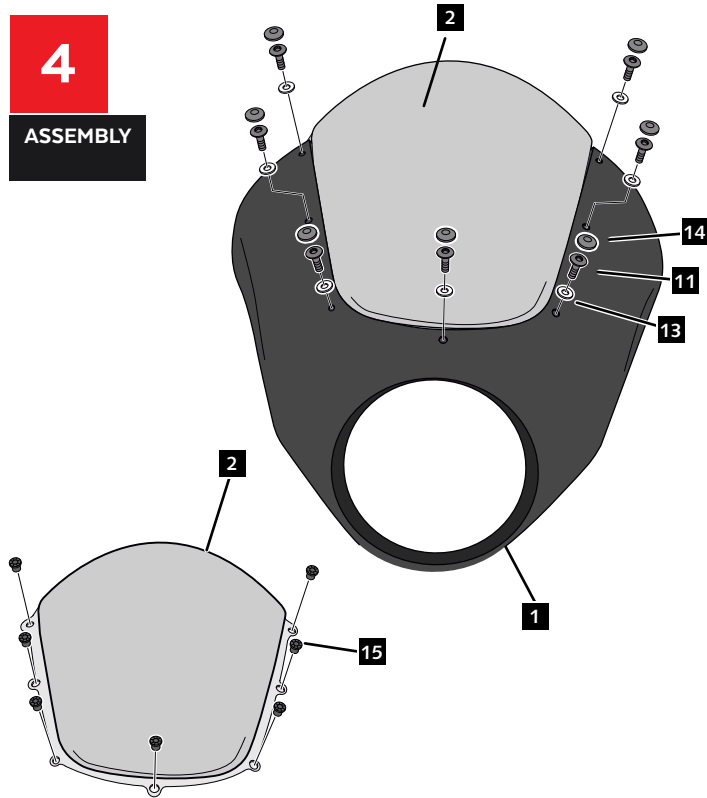
**11** DO NOT TIGHTEN

# CustomAcces

HONDA REBEL CMX 300-500 '17- / S' 20-

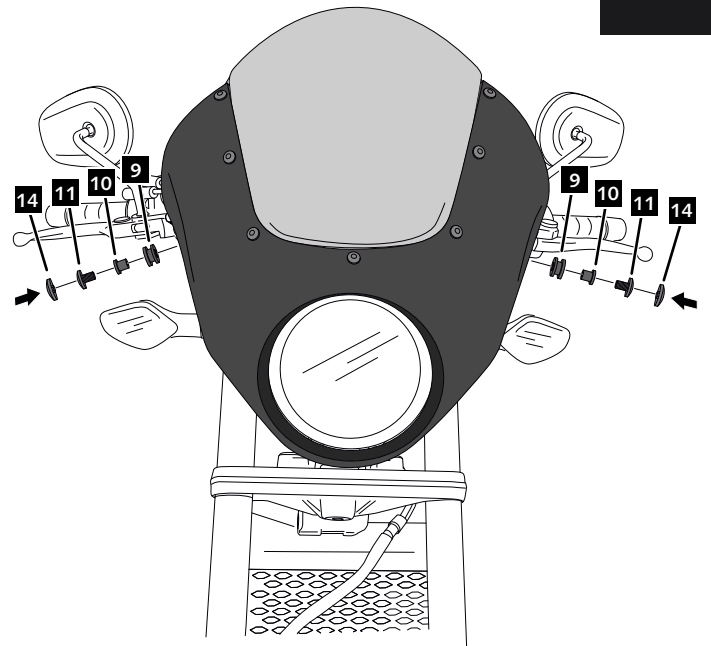
4

ASSEMBLY



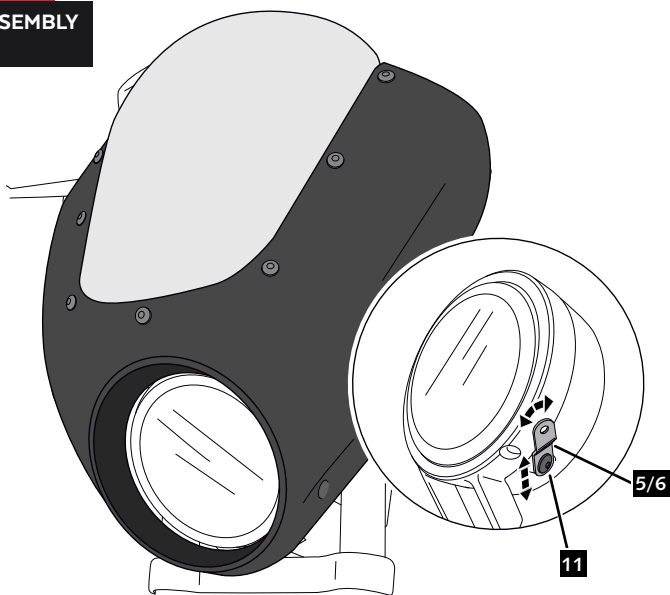
5

ASSEMBLY



6

ASSEMBLY



ADJUST POSITION ID5/6 SUPPORTS  
AND TIGHTEN ID11 SCREWS

7

ASSEMBLY

