

# CustomAcces

HONDA REBEL CMX 300-500 '17- / S' 20-

## MOUNTING INSTRUCTIONS

REF CUPO004N

SEMICARENADO ANARCHY / ANARCHY SEMIFAIRING



ONLY FOR REBEL "S":

BEFORE INSTALLING THE PRODUCT, TAKE APART THE OEM SEMI-FAIRING



1 Person



15 min



EASY



ALLEN

N° 3  
N° 5



It would be convenient to retight the semifairing screws, specially the ones that are fixed to the motorcycle, whenever you maintain the vehicle. **Thanks for your attention.**

ID.	PART	DESCRIPTION	QTY.	REF.
1		Anarchy semifairing	1	ANCHYCUP
2		Support	1	SOP1P6--CUP0004
3		Ø9xØ6x8mm silentblock	4	AROPASACABLES-3
4		Ø12xØ6,8x7,3 bush with flange	4	CASQUI-1A---750
5		M5x16 Ø11 ISO 7380 allen screw	4	TORNI-I7380-493
6		M5 ISO 7380 screw cap	4	TAPON-----85

# CustomAcces

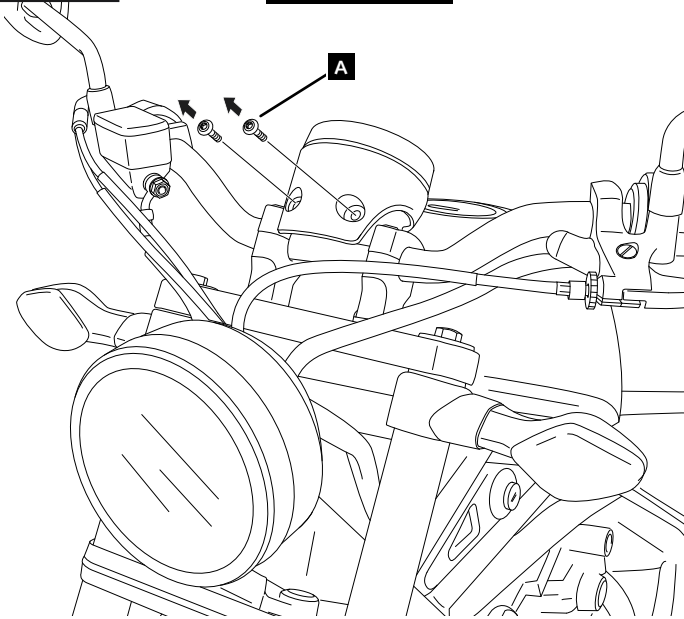
HONDA REBEL CMX 300-500 '17- / S' 20-

- MOUNTING INSTRUCTIONS -

1

DISASSEMBLY

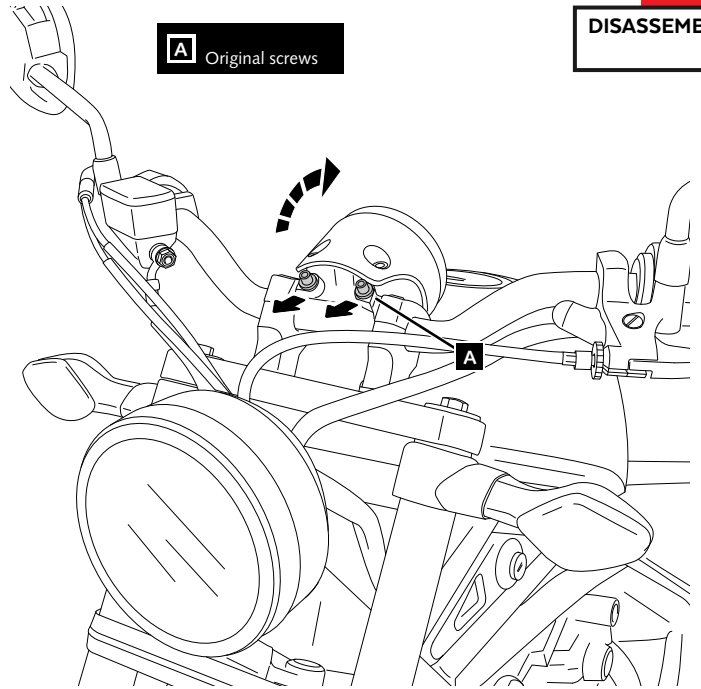
**A** Original screws



2

DISASSEMBLY

**A** Original screws

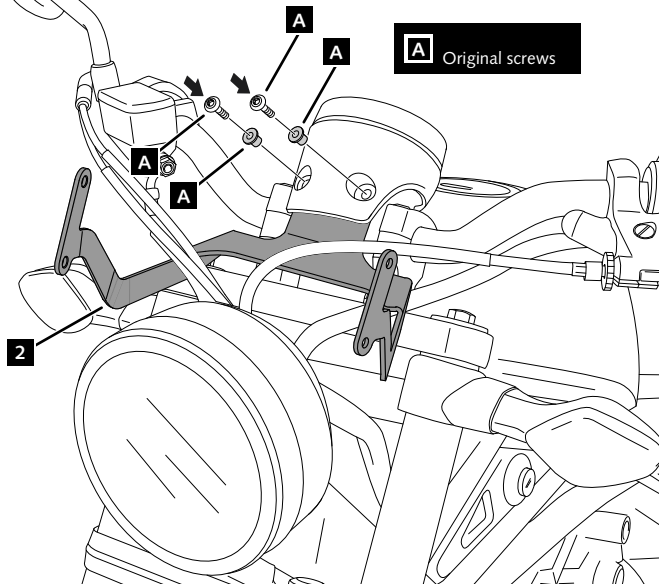


3

ASSEMBLY

**!** ATTENTION WITH ORIGINAL PIECE POSITION

**A** Original screws



4

ASSEMBLY

IF IT IS NECESSARY YOU CAN ADJUST POSITION ID.2

