

# CustomAcces

HARLEY DAVIDSON STREET 750 '14-

M O U N T I N G I N S T R U C T I O N S

REF BTM0010

SEMIFAIRING BATWING SML TOURING MODEL



It would be convenient to retight the semifairing screws, specially the ones that are fixed to the motorcycle, whenever you maintain the vehicle. **Thanks for your attention.**

ID.	DESCRIPTION	QTY.	REF.
1	Semifairing	1	BTMF001N
2	Touring Screen	1	BTMP002
3	Left support (L)	1	SOP3P4L-BTM0009
4	Right support (R)	1	SOP3P4R-BTM0009
5	Lower support	1	SOP3P4I-BTM0009
6	M5x11 Ø11 ISO 7380 allen screw	6	TORNI-AI----520
7	M5 nut	6	TUERC-D6923-255
8	M5 silentblock	4	SILENBTM5-046/1
9	M5x1 nylon washer	4	ARNV00000000245
10	M5x16 Ø11 ISO 7380 allen screw	4	TORNI-I7380-493
11	M5 ISO 7380 screw cap	4	TAPON-----85
12	M4 nut cap	3	TAPON-----91
13	M4 lock nut	3	TUERCAE985-0290
14	M4 nylon washer	6	ARNV00000000311
15	M4x12 ISO 7380 allen screw	3	TORNI-I7380-800

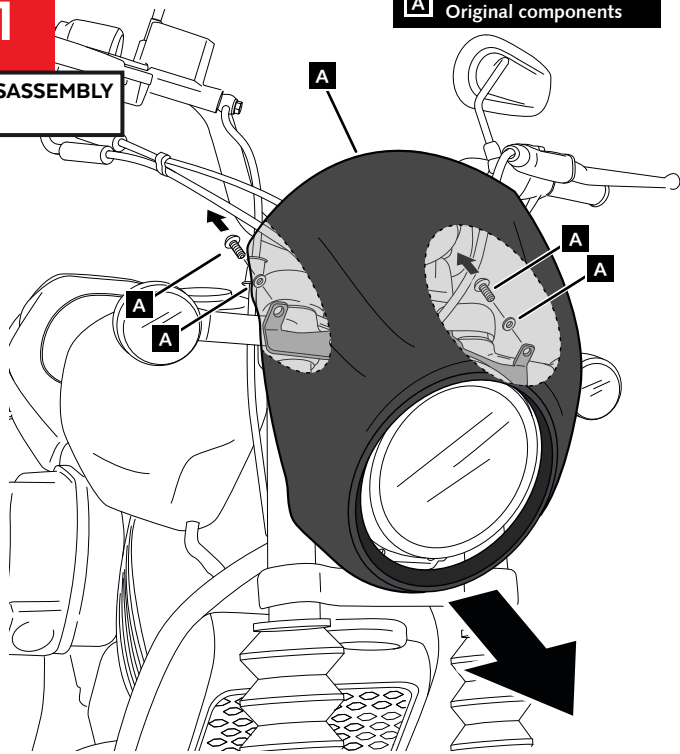
# CustomAcces

HARLEY DAVIDSON STREET 750 '14-

1

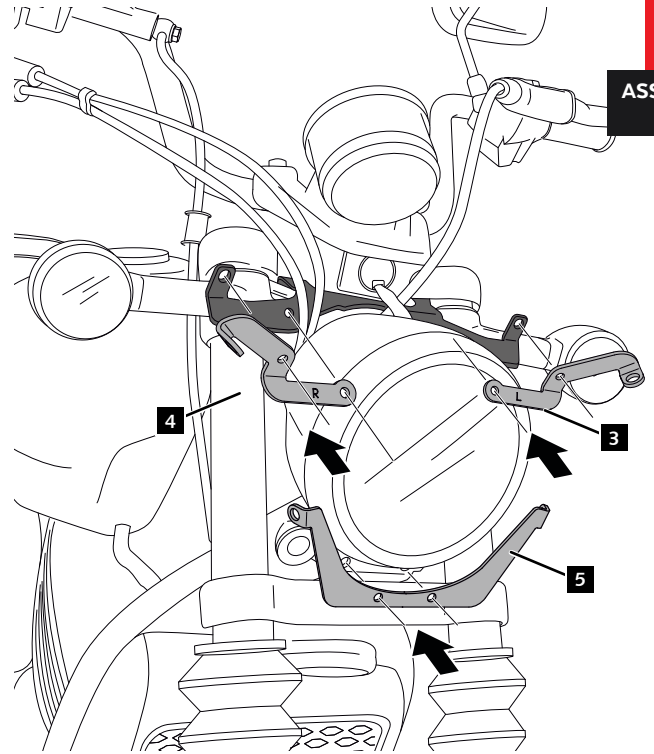
DISASSEMBLY

A Original components



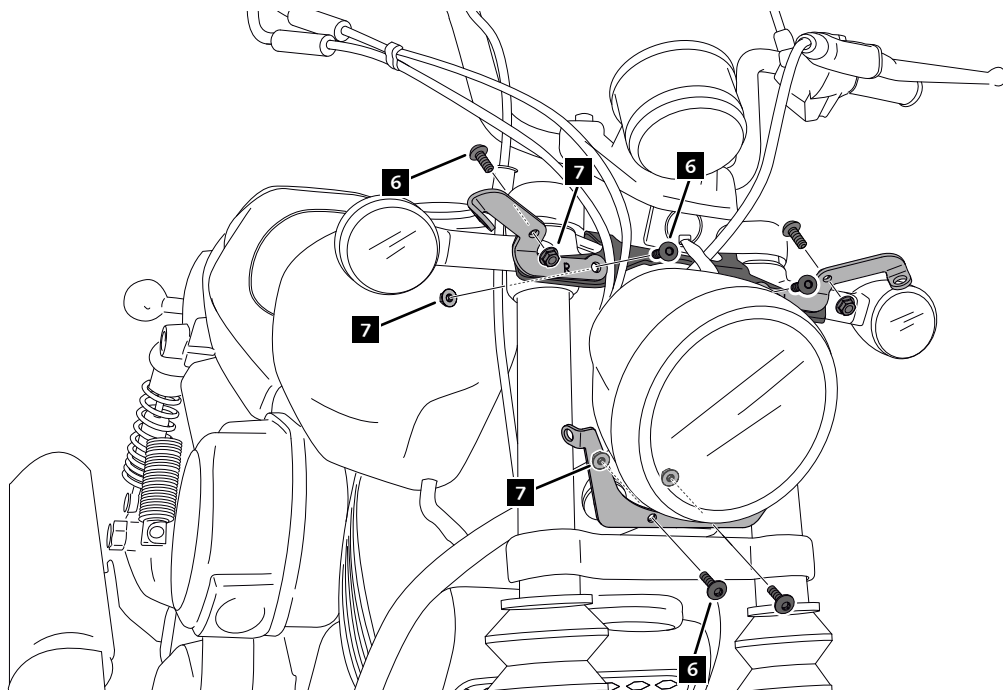
2

ASSEMBLY



3

ASSEMBLY

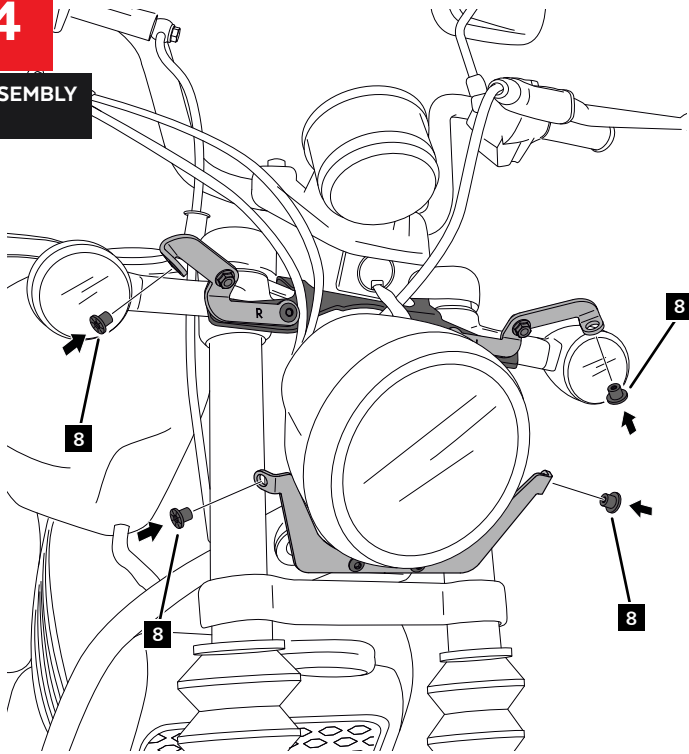


# CustomAcces

HARLEY DAVIDSON STREET 750 '14-

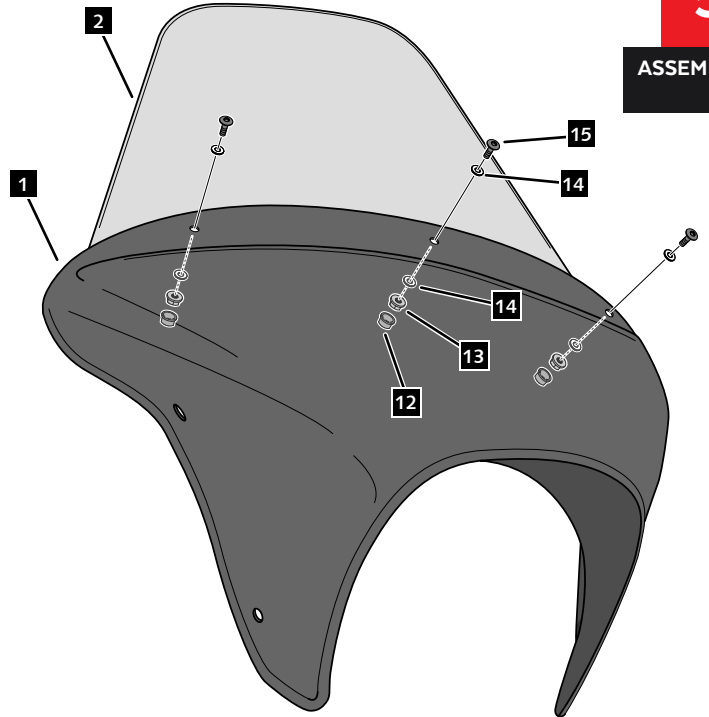
4

ASSEMBLY



5

ASSEMBLY



6

ASSEMBLY

