

CustomAcces

YAMAHA XV950R '14-

M O U N T I N G I N S T R U C T I O N S

REF BTM0008

SEMIFAIRING BATWING SML TOURING MODEL



| ID | PART | DESCRIPTION | QTY | REF |
|----|------|--------------------------------|-----|-----------------|
| 1 | | Semifairing | 1 | BTMF001N |
| 2 | | Touring screen | 1 | BTMP002 |
| 3 | | Upper Left support | 1 | SOP4P3SRBTM0008 |
| 4 | | Upper Right support | 1 | SOP4P3SLBTM0008 |
| 5 | | Lower Left support | 1 | SOP4P3IRBTM0008 |
| 6 | | Lower Right support | 1 | SOP4P3ILBTM0008 |
| 7 | | M8x45 DIN912 screw | 2 | TORNI-AD912-508 |
| 8 | | Ø8x Ø13x 15 spacer | 2 | CASQUI-M----614 |
| 9 | | M5 silentblock | 4 | SILENBTM5-046/1 |
| 10 | | M5x1 nylon washer | 4 | ARNV0000000245 |
| 11 | | M5x16 Ø11 ISO 7380 Allen screw | 4 | TORNI-I7380-493 |
| 12 | | M5 ISO 7380 screw cap | 4 | TAPON-----85 |
| 13 | | M4x12 ISO 7380 Allen screw | 3 | TORNI-I7380-800 |
| 14 | | M4 nylon washer | 6 | ARNV0000000311 |
| 15 | | M4 lock nut | 3 | TUERCAE985-0290 |
| 16 | | M4 cap nut | 3 | TAPON-----91 |

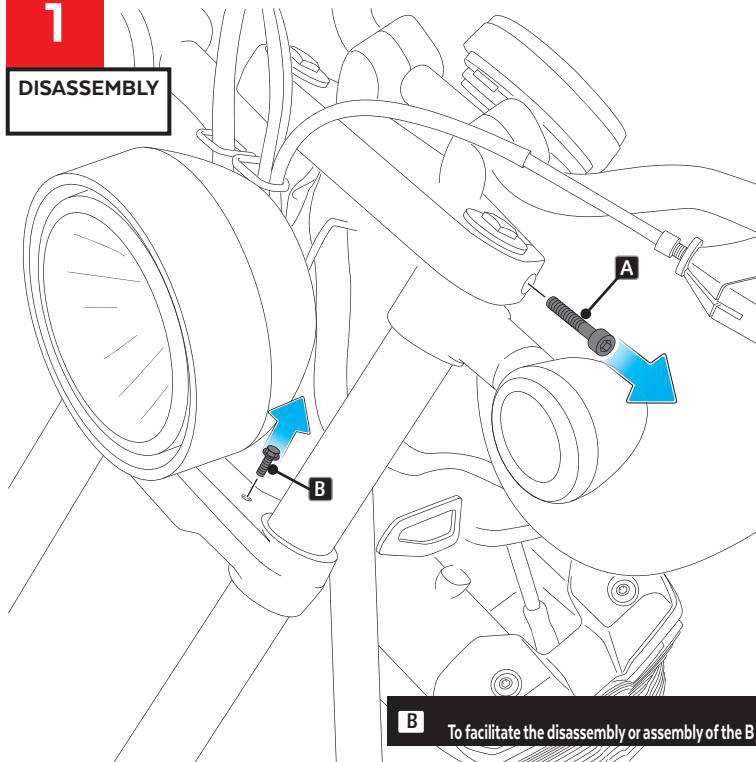
Custom Acces

YAMAHA XV950R '14-

- MOUNTING INSTRUCTIONS -

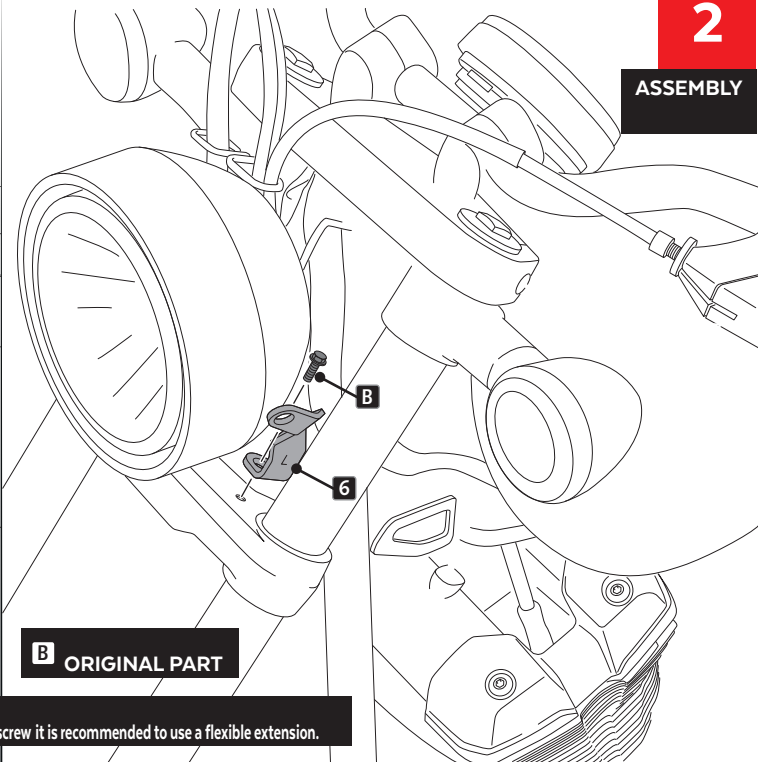
1

DISASSEMBLY



2

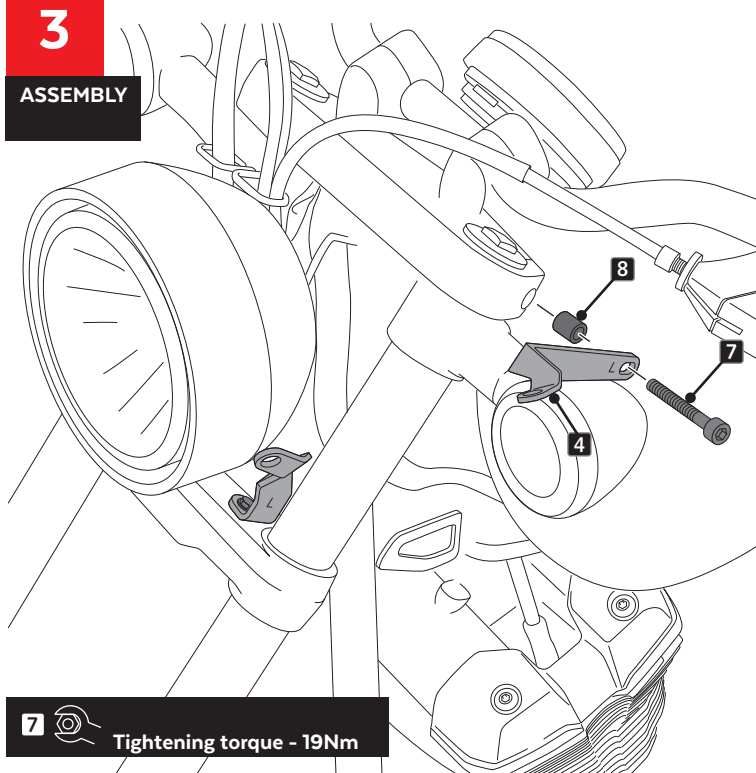
ASSEMBLY



B To facilitate the disassembly or assembly of the B screw it is recommended to use a flexible extension.

3

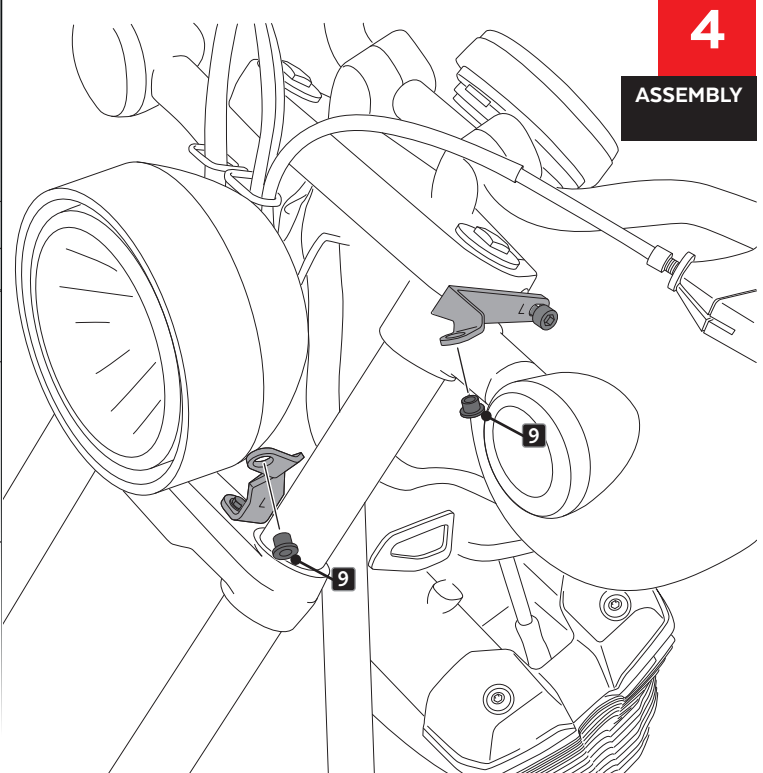
ASSEMBLY



7  Tightening torque - 19Nm

4

ASSEMBLY

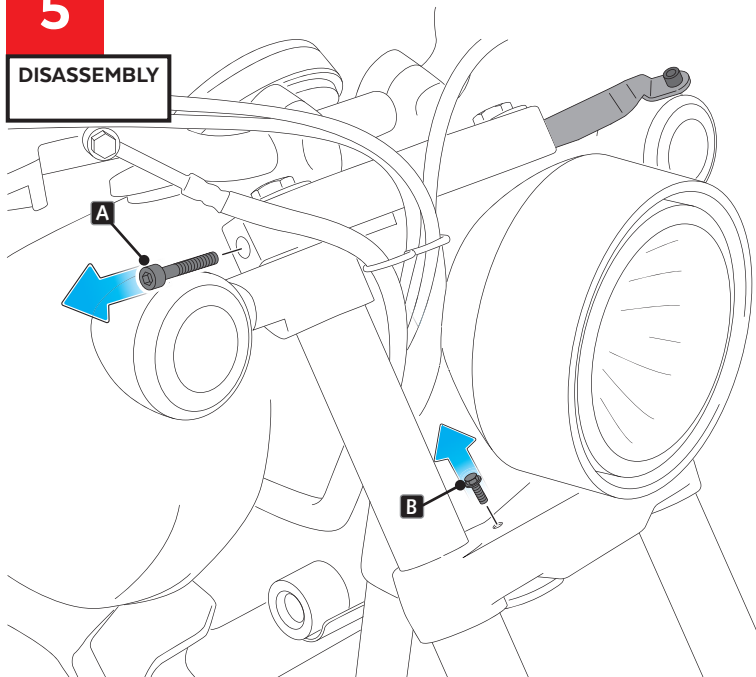


Custom Acces

YAMAHA XV950R '14-

5

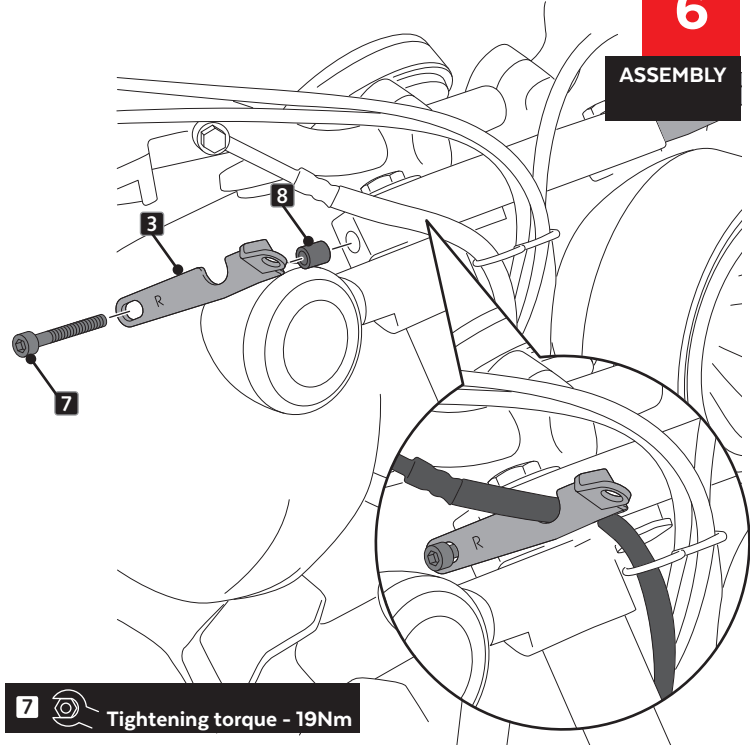
DISASSEMBLY



B To facilitate the disassembly or assembly of the B screw it is recommended to use a flexible extension.

6

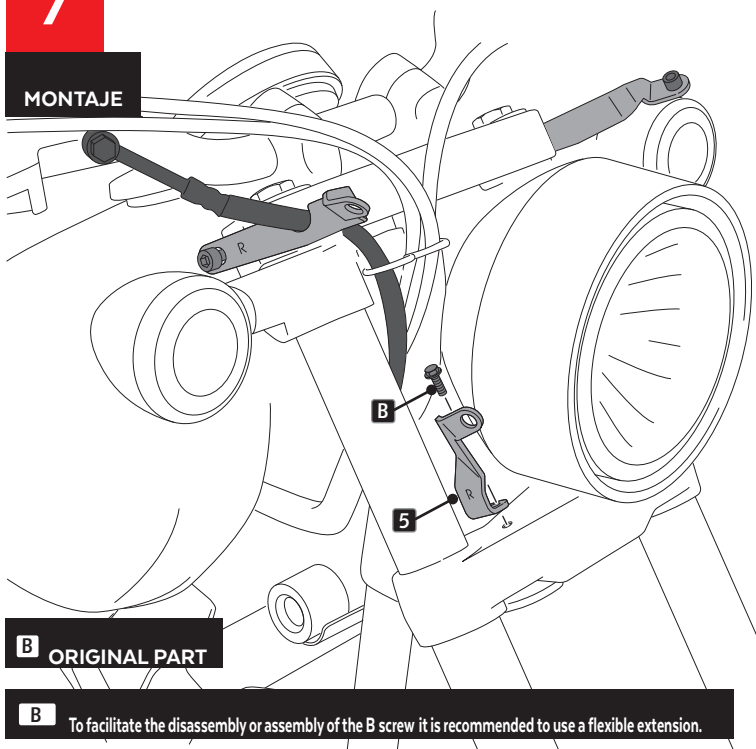
ASSEMBLY



7 Tightening torque - 19Nm

7

MONTAJE

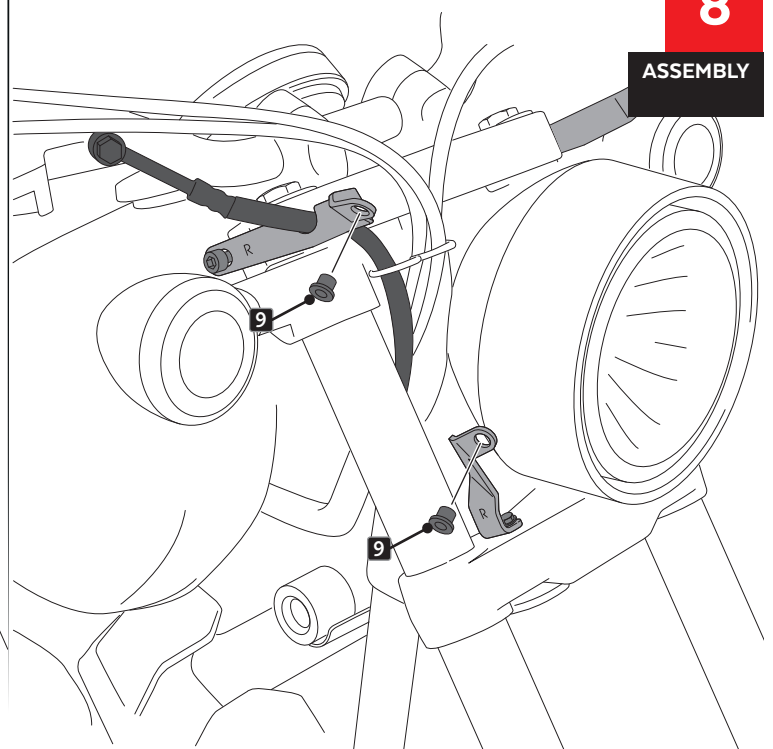


B ORIGINAL PART

B To facilitate the disassembly or assembly of the B screw it is recommended to use a flexible extension.

8

ASSEMBLY

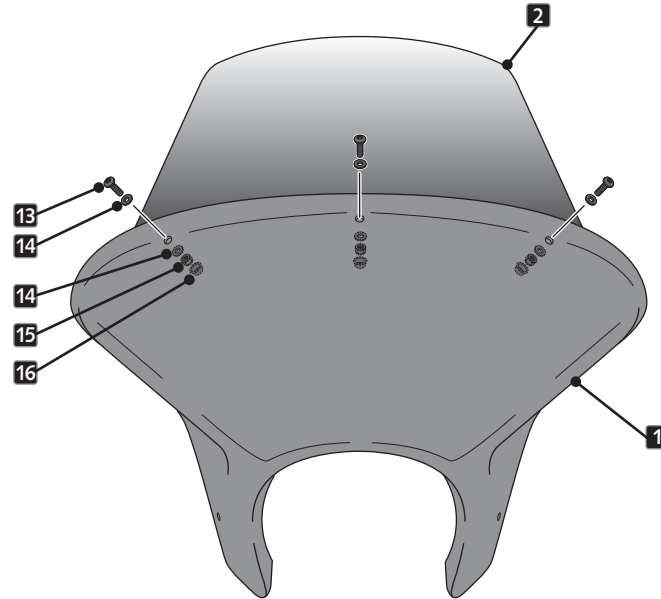


CustomAcces

YAMAHA XV950R '14-

9

ASSEMBLY



10

ASSEMBLY

