

CustomAcces

HONDA REBEL CMX 300-500 '17- / S' 20-

M O U N T I N G I N S T R U C T I O N S

REF BTM0006

SEMIFAIRING BATWING SML TOURING MODEL



1 Person



20 min



EASY



ONLY FOR REBEL "S": BEFORE INSTALLING THE PRODUCT, TAKE APART THE OEM SEMI-FAIRING



ALLEN

N° 3
N° 6
N° 8



ID	PART	DESCRIPTION	QTY	REF
1		Semifairing	1	BTMF001N
2		Touring screen	1	BTMP002
3		Upper right support	1	SOP4P3SRBTM0002
4		Upper left support	1	SOP4P3SLBTM0002
5		Lower right support	1	SOP4P3IRBTM0002
6		Lower left support	1	SOP4P3ILBTM0002
7		Ø4,5 x Ø11 x 2mm rubber washer	2	ARAND-EPDM--722
8		M8x45 ISO 7380 Allen screw	2	TORNI-I7380-817
9		Ø8x Ø14x 9 spacer	2	CASQUI-----0100
10		M5 silentblock	4	SILENBTM5-046/1
11		M5x1 nylon washer	4	ARNV00000000245
12		M5x16 Ø11 ISO 7380 Allen screw	6	TORNI-I7380-493
13		M5 ISO 7380 screw cap	4	TAPON-----85
14		M4x12 ISO 7380 Allen screw	3	TORNI-I7380-800
15		M4x0,5 nylon washer	6	ARNV00000000311
16		M4 nut	3	TUERCAE985-0290
17		M4 cap nut	3	TAPON-----91

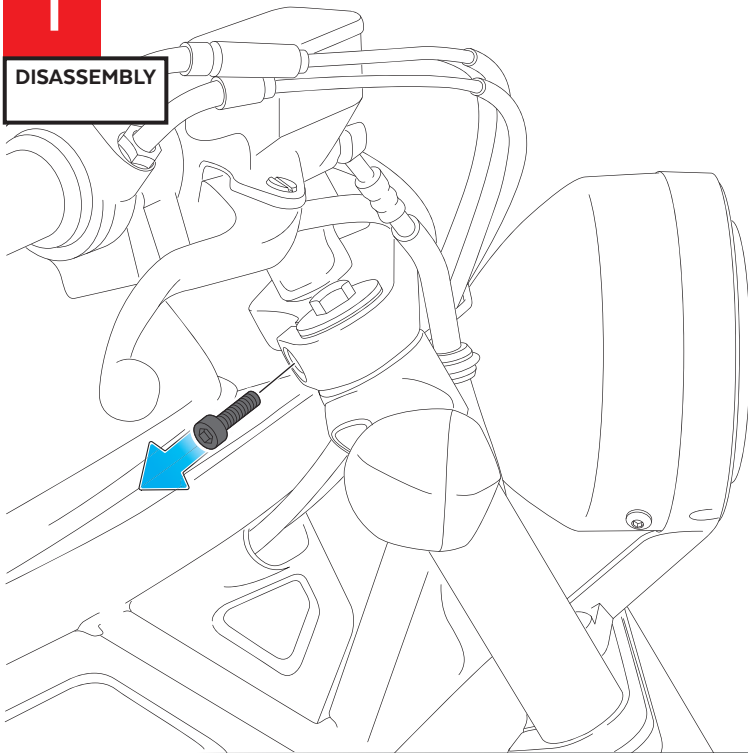
CustomAcces

HONDA REBEL CMX 300-500 '17- / S' 20-

MOUNTING INSTRUCTIONS

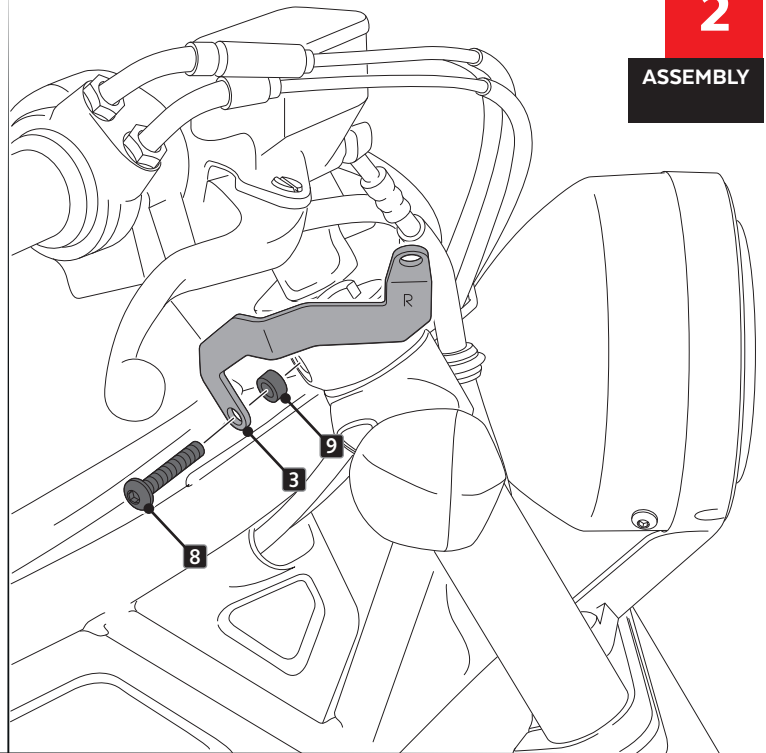
1

DISASSEMBLY



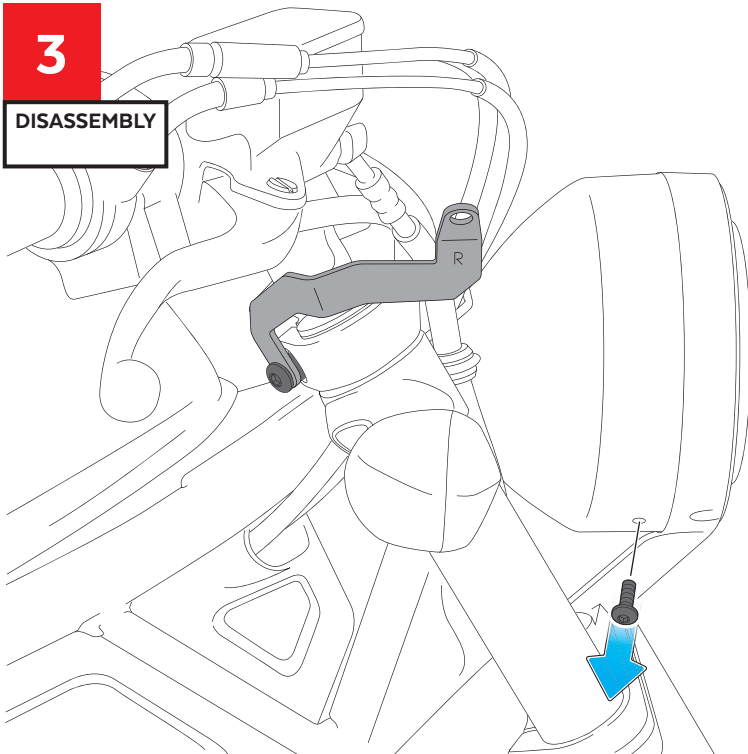
2

ASSEMBLY



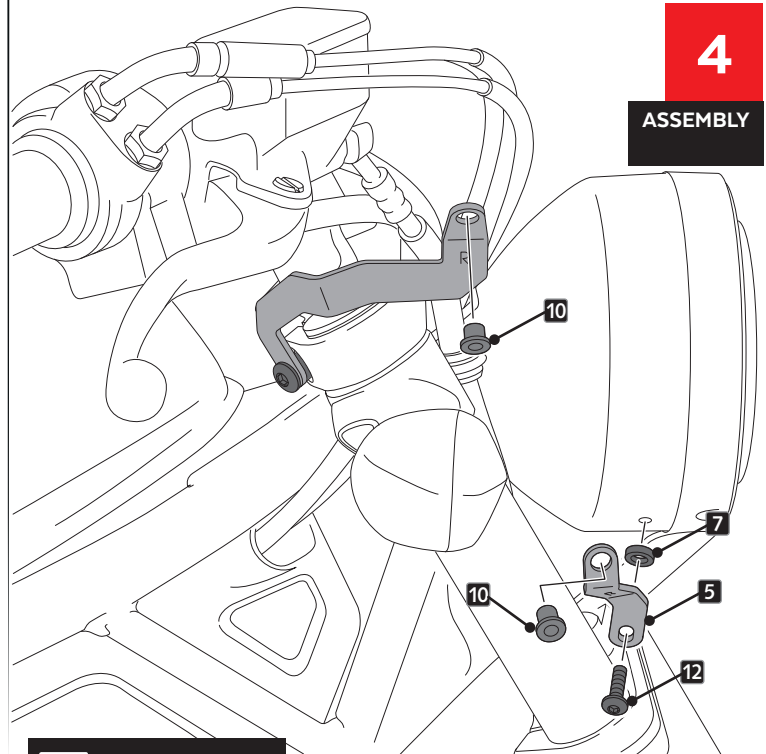
3

DISASSEMBLY



4

ASSEMBLY



ID-12 DO NOT TIGHTEN

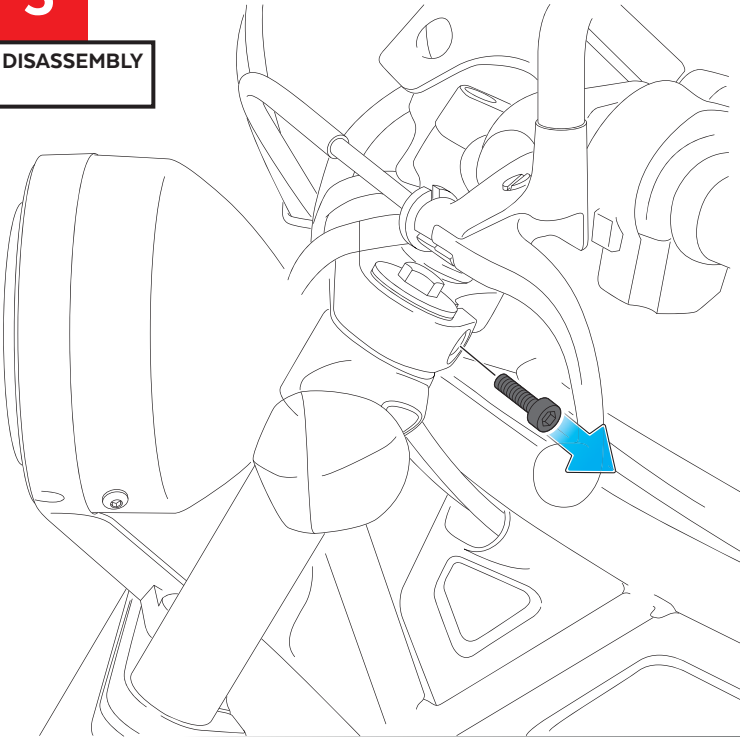
CustomAcces

HONDA REBEL CMX 300-500 '17- / S' 20-

MOUNTING INSTRUCTIONS

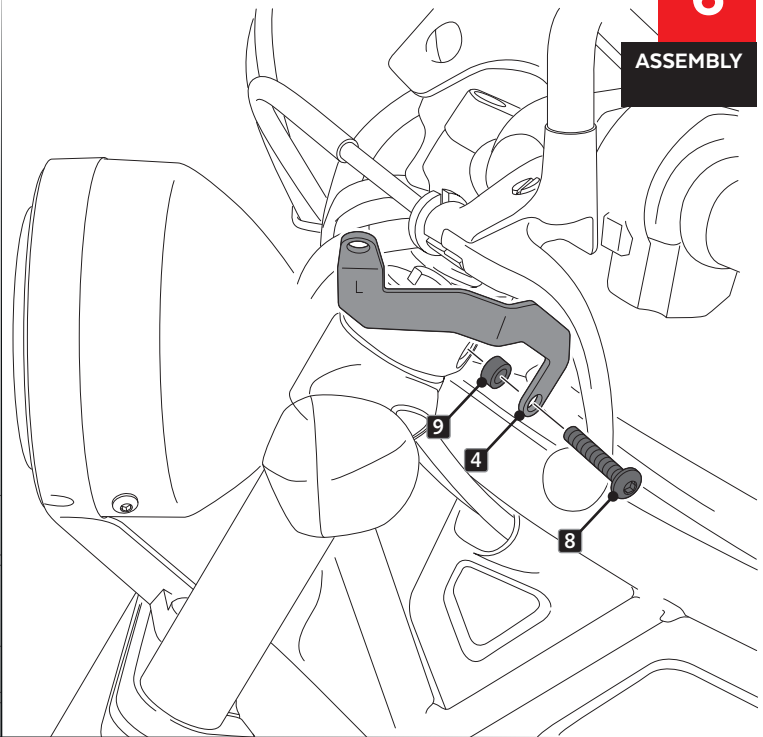
5

DISASSEMBLY



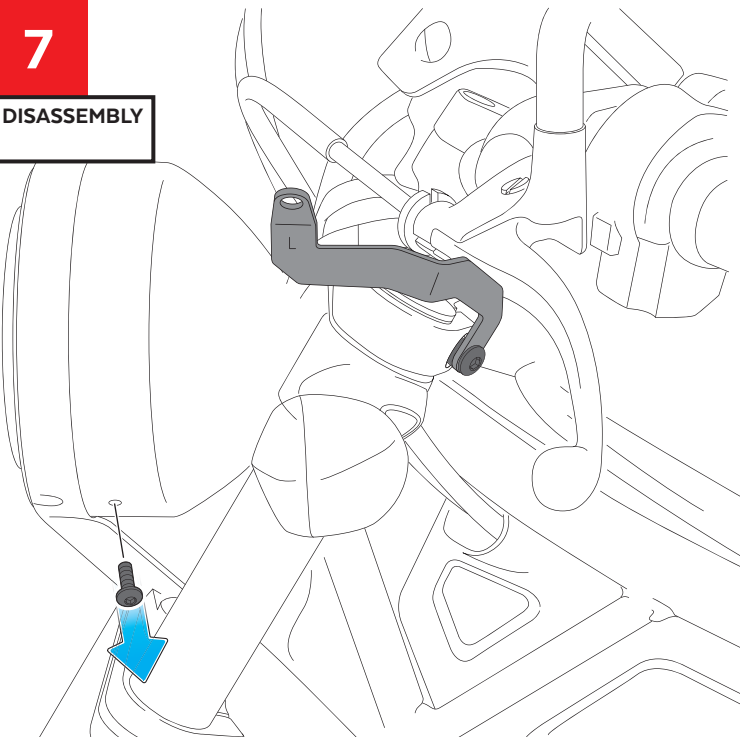
6

ASSEMBLY



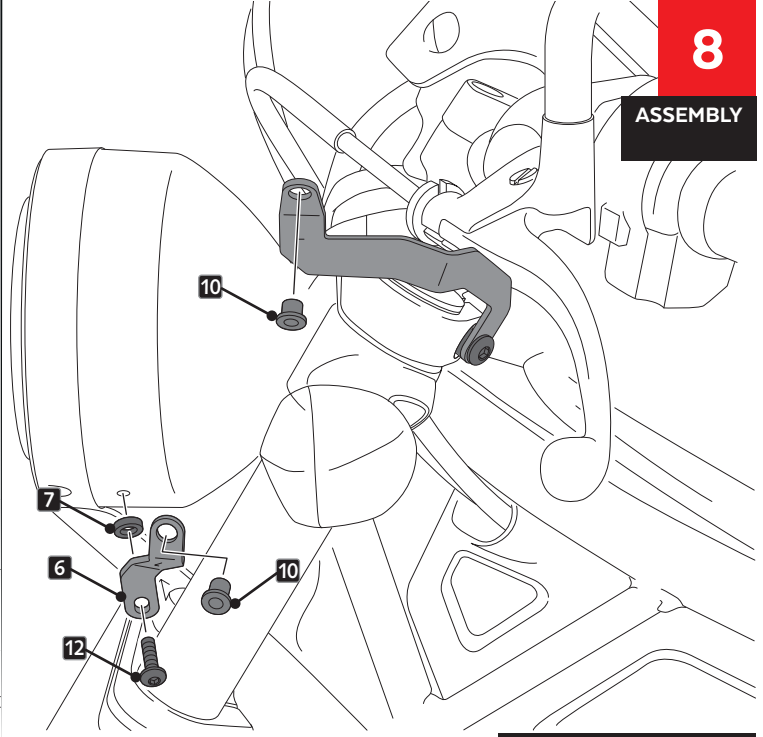
7

DISASSEMBLY



8

ASSEMBLY



ID-12 DO NOT TIGHTEN

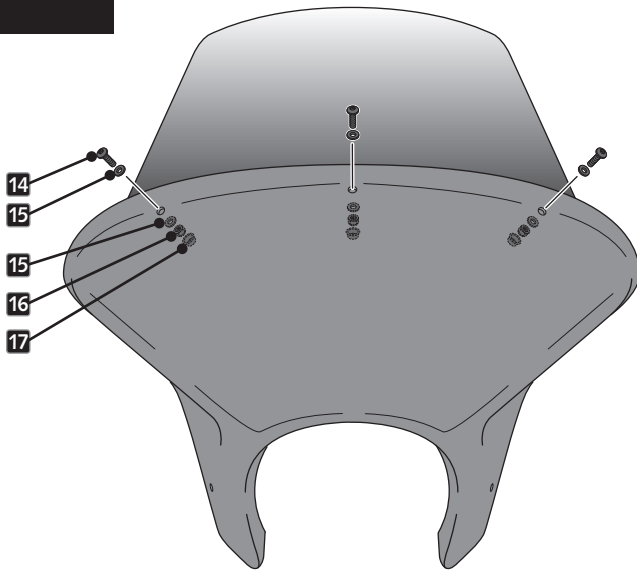
CustomAcces

HONDA REBEL CMX 300-500 '17- / S' 20-

MOUNTING INSTRUCTIONS

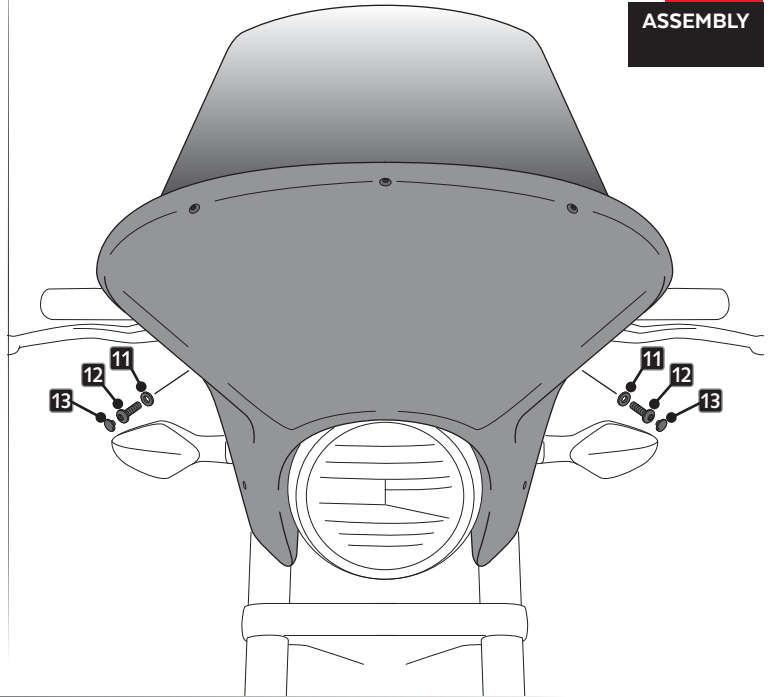
9

ASSEMBLY



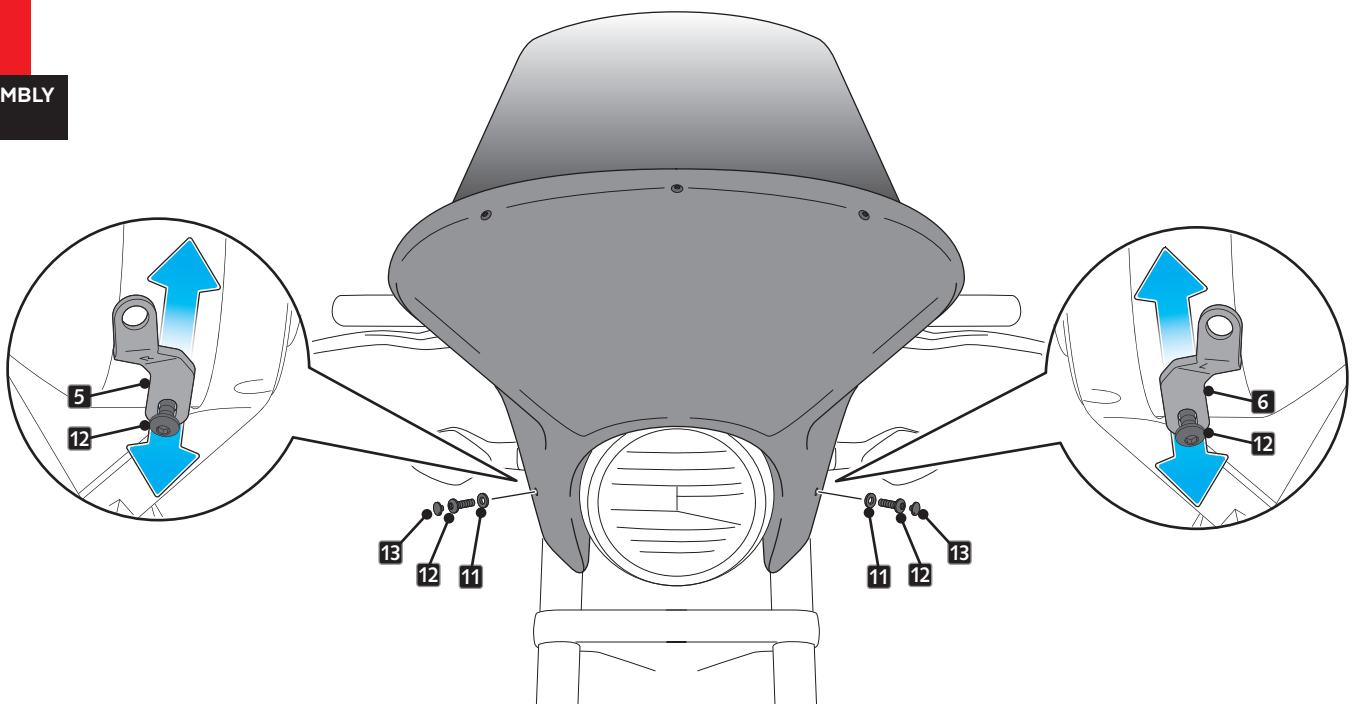
10

ASSEMBLY



11

ASSEMBLY



ID-12 ADJUST POSITION SUPPORTS AND TIGHTEN SCREW.