

CustomAcces

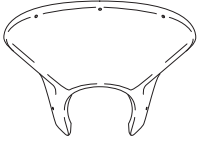

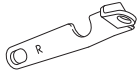
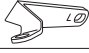


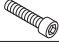









YAMAHA XV950R '14-

M O U N T I N G I N S T R U C T I O N S

REF BTM0004

SEMIFAIRING MINI BATWING SPORT MODEL



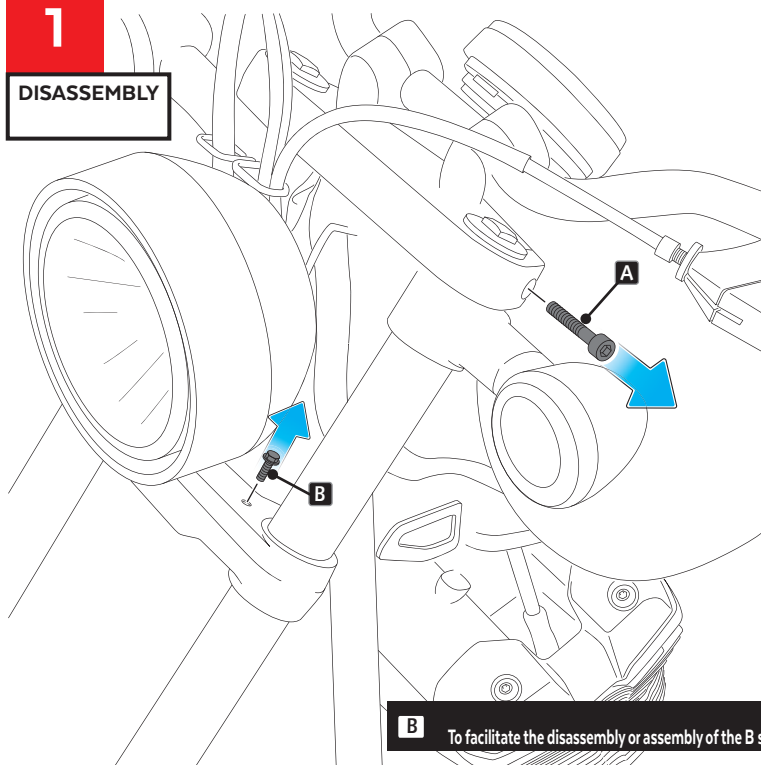
ID	PART	DESCRIPTION	QTY	REF
1		Semifairing	1	BTMF001N
2		Sport screen	1	BTMP001
3		Upper Left support	1	SOP4P3SRBTM0008
4		Upper Right support	1	SOP4P3SLBTM0008
5		Lower Left support	1	SOP4P3IRBTM0008
6		Lower Right support	1	SOP4P3ILBTM0008
7		M8x45 DIN912 screw	2	TORNI-AD912-508
8		Ø8x Ø13x 15 spacer	2	CASQUI-M----614
9		M5 silentblock	4	SILENBTM5-046/1
10		M5x1 nylon washer	4	ARNV0000000245
11		M5x16 Ø11 ISO 7380 Allen screw	4	TORNI-I7380-493
12		M5 ISO 7380 screw cap	4	TAPON-----85
13		M4x12 ISO 7380 Allen screw	3	TORNI-I7380-800
14		M4 nylon washer	6	ARNV0000000311
15		M4 lock nut	3	TUERCAE985-0290
16		M4 cap nut	3	TAPON-----91

Custom Acces

YAMAHA XV950R '14-

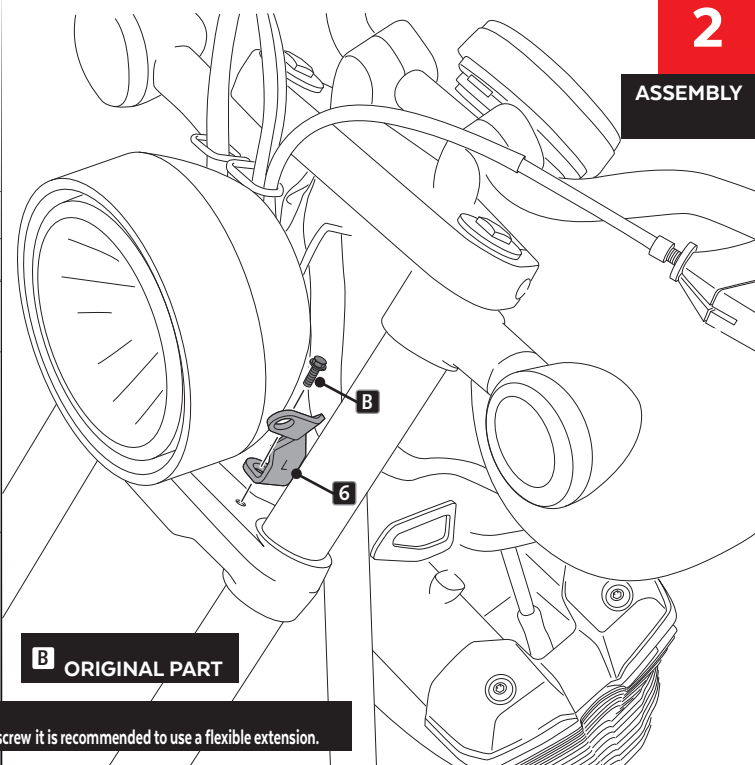
1

DISASSEMBLY



2

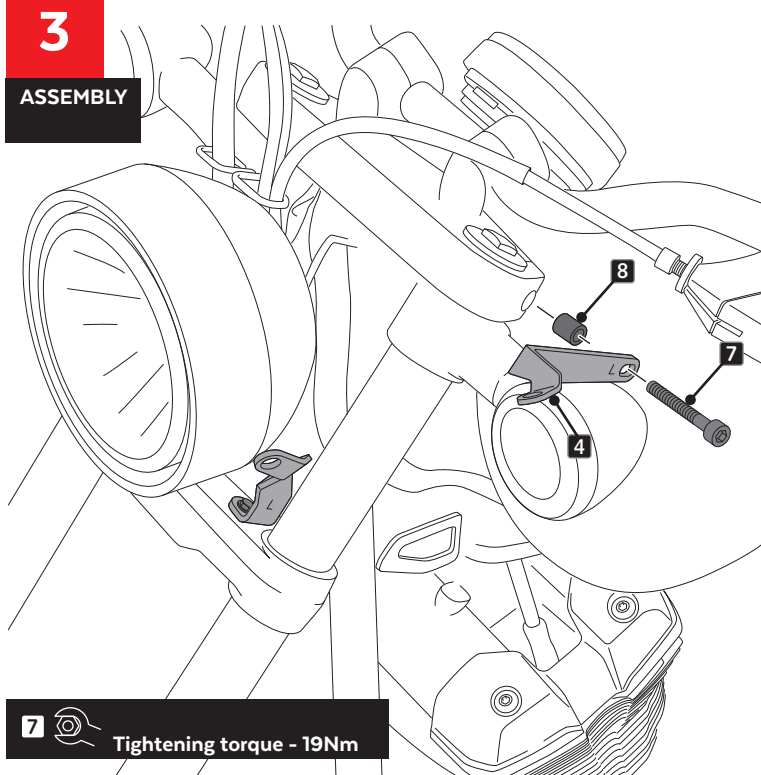
ASSEMBLY



B To facilitate the disassembly or assembly of the B screw it is recommended to use a flexible extension.

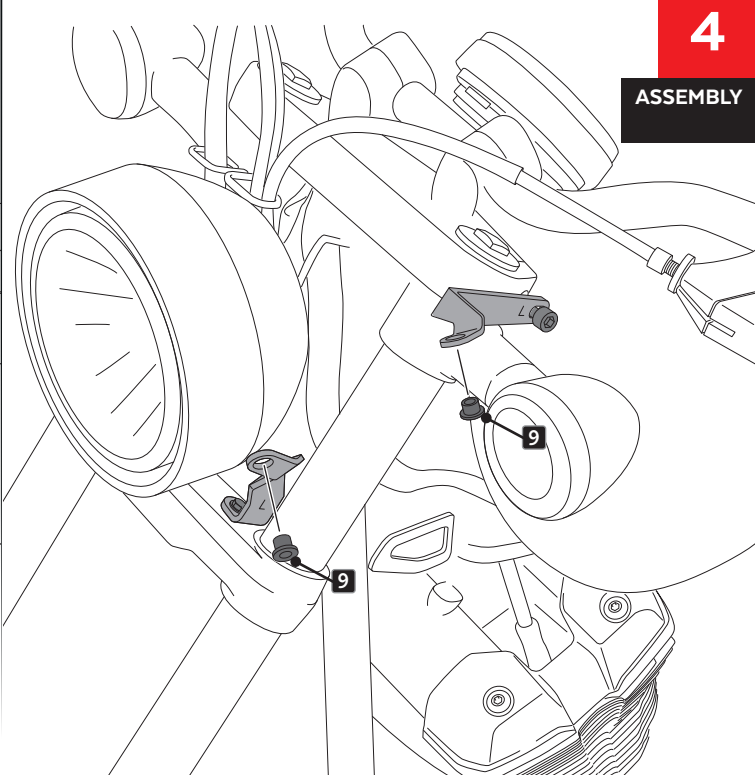
3

ASSEMBLY



4

ASSEMBLY



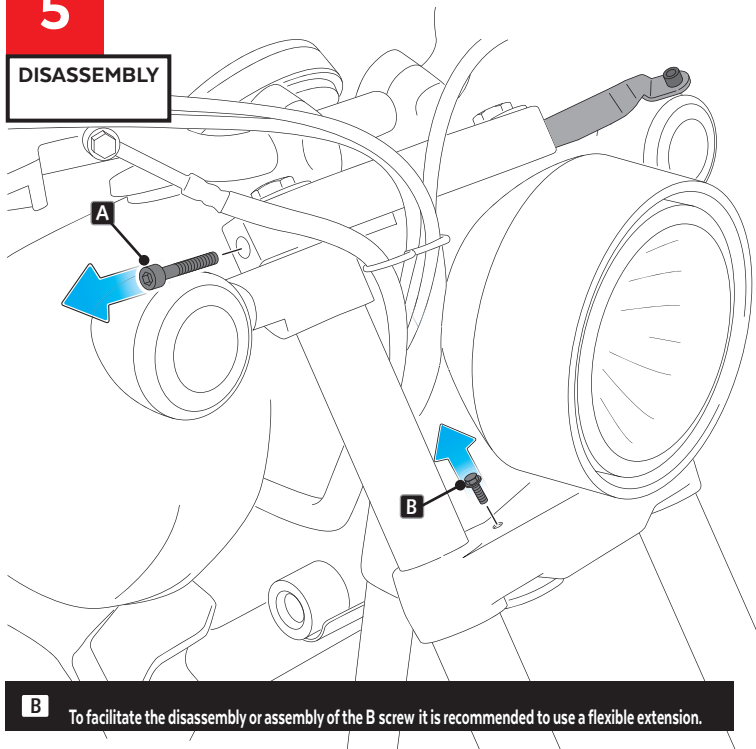
Custom Acces

YAMAHA XV950R '14-

MOUNTING INSTRUCTIONS

5

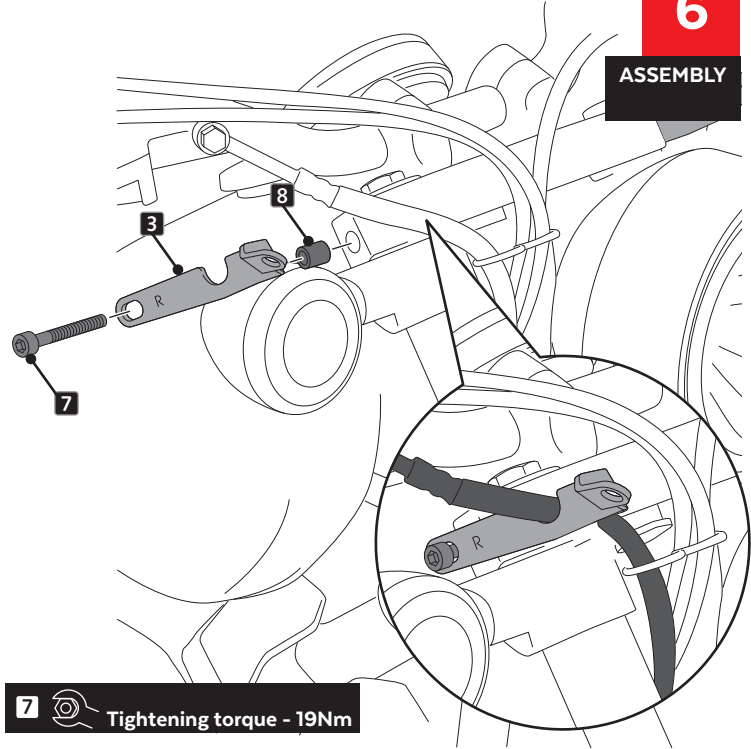
DISASSEMBLY



B To facilitate the disassembly or assembly of the B screw it is recommended to use a flexible extension.

6

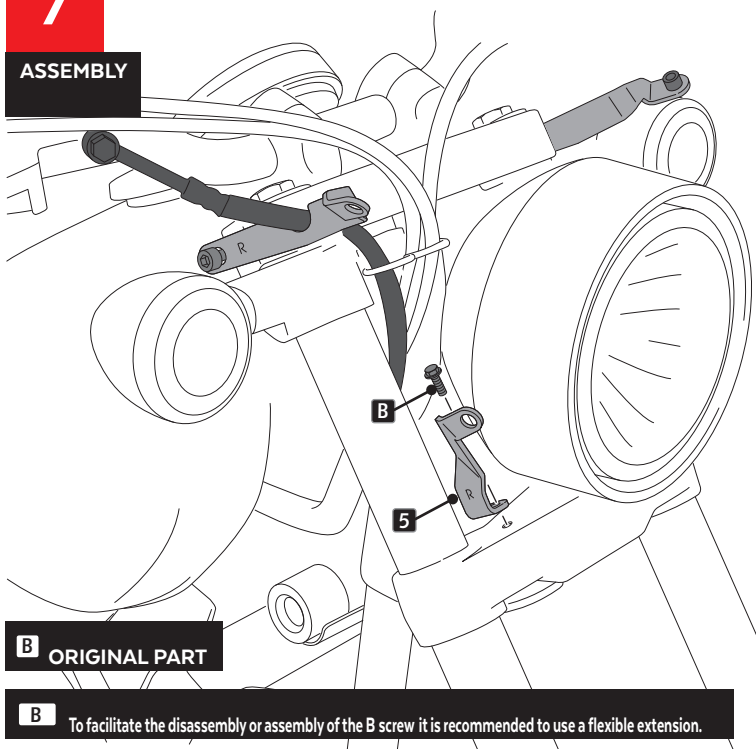
ASSEMBLY



7 Tightening torque - 19Nm

7

ASSEMBLY

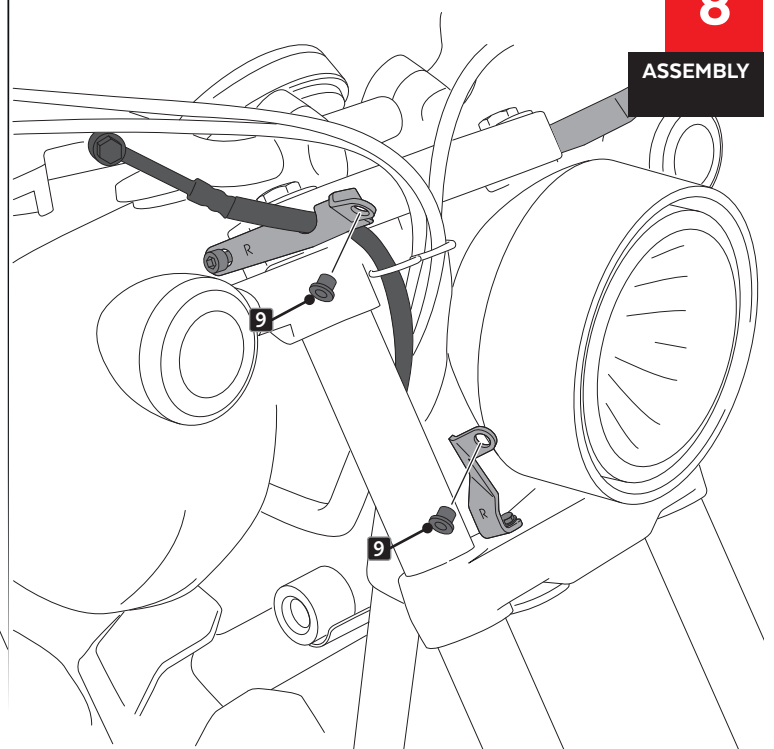


B ORIGINAL PART

B To facilitate the disassembly or assembly of the B screw it is recommended to use a flexible extension.

8

ASSEMBLY



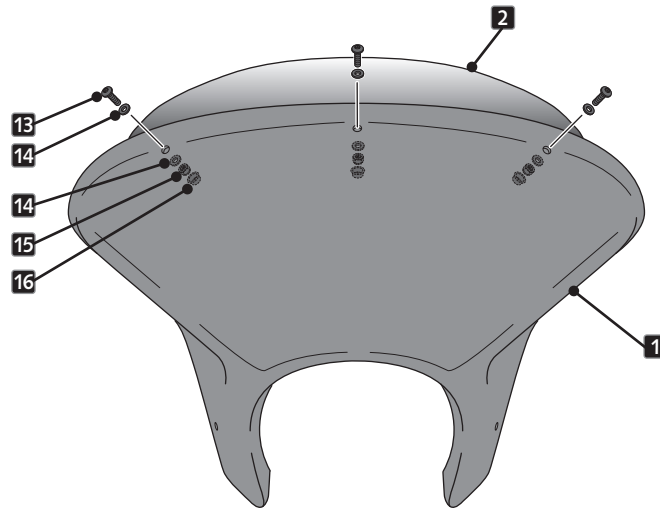
CustomAcces

YAMAHA XV950R '14-

MOUNTING INSTRUCTIONS

9

ASSEMBLY



10

ASSEMBLY

