

CustomAcces

KAWASAKI VULCAN S '15-

M O U N T I N G I N S T R U C T I O N S

REF BTM0003

SEMIFAIRING BATWING SML SPORT MODEL



ID	PART	DESCRIPTION	QTY	REF
1		Semifairing	1	BTMF002Z
2		Sport screen	1	BTMP001
3		Upper Left support	1	SOP3P3R-BTM0007
4		Upper Left support	1	SOP3P3L-BTM0007
5		Lower support	1	SOP3P3I-BTM0007
6		M8x50 DIN912 screw	2	TORNI-D912--532
7		Ø8x Ø14x 18 spacer	2	CASQUI-----0139
8		M5 silentblock	4	SILENBTM5-046/1
9		M5x1 nylon washer	4	ARNV0000000245
10		M5x16 Ø11 ISO 7380 Allen screw	4	TORNI-I7380-493
11		M5 ISO 7380 screw cap	4	TAPON-----85
12		M4x12 ISO 7380 Allen screw	3	TORNI-I7380-800
13		M4 nylon washer	6	ARNV0000000311
14		M4 lock nut	3	TUERCAE985-0290
15		M4 cap nut	3	TAPON-----91

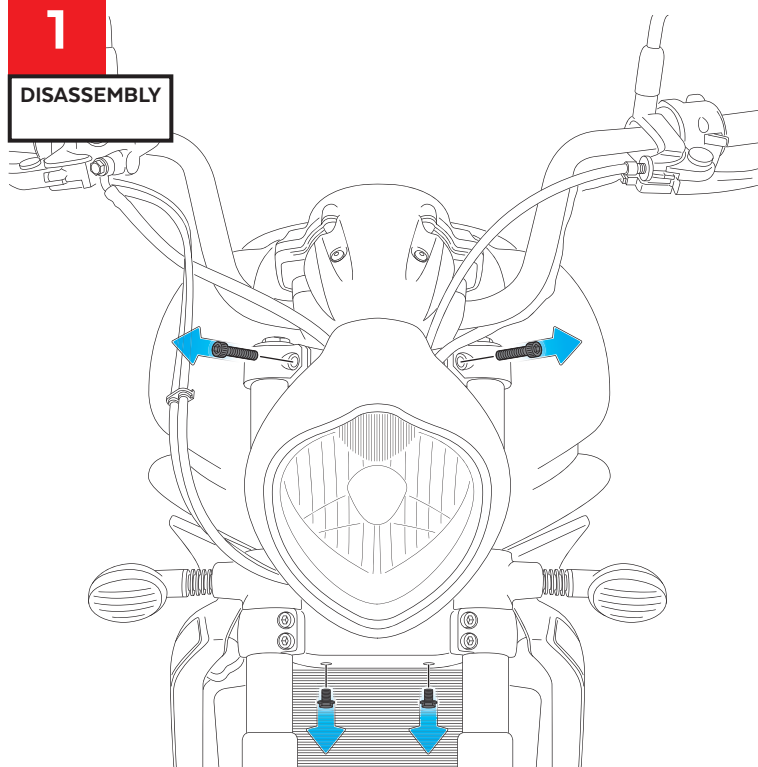
Custom Acces

KAWASAKI VULCAN S '15-

- MOUNTING INSTRUCTIONS -

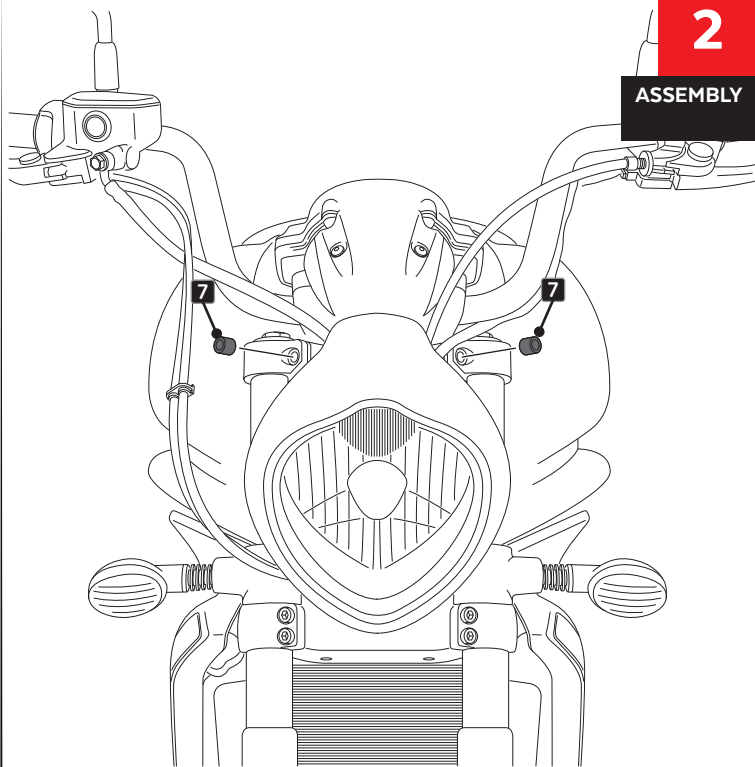
1

DISASSEMBLY



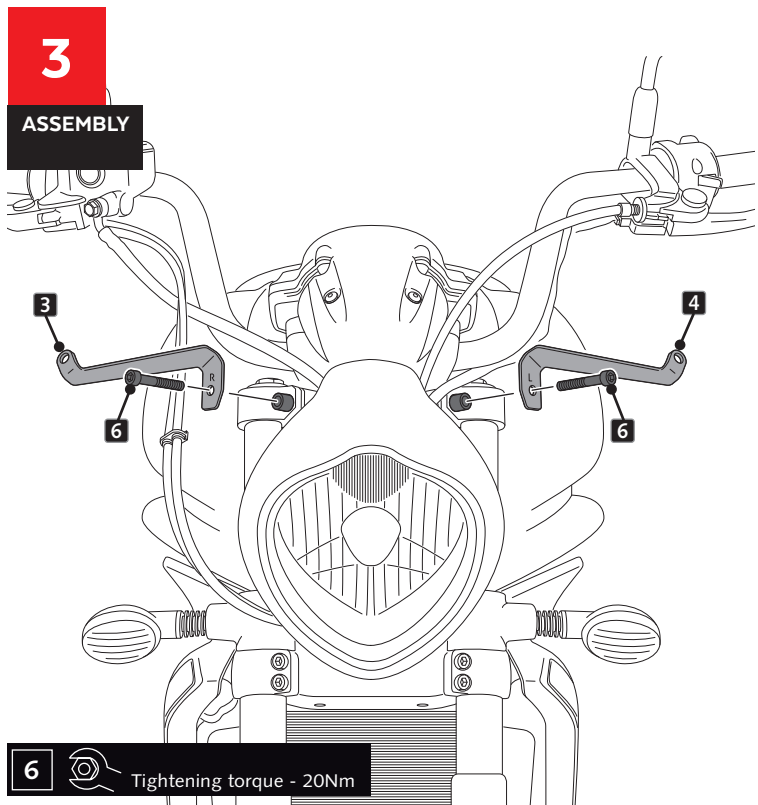
2

ASSEMBLY



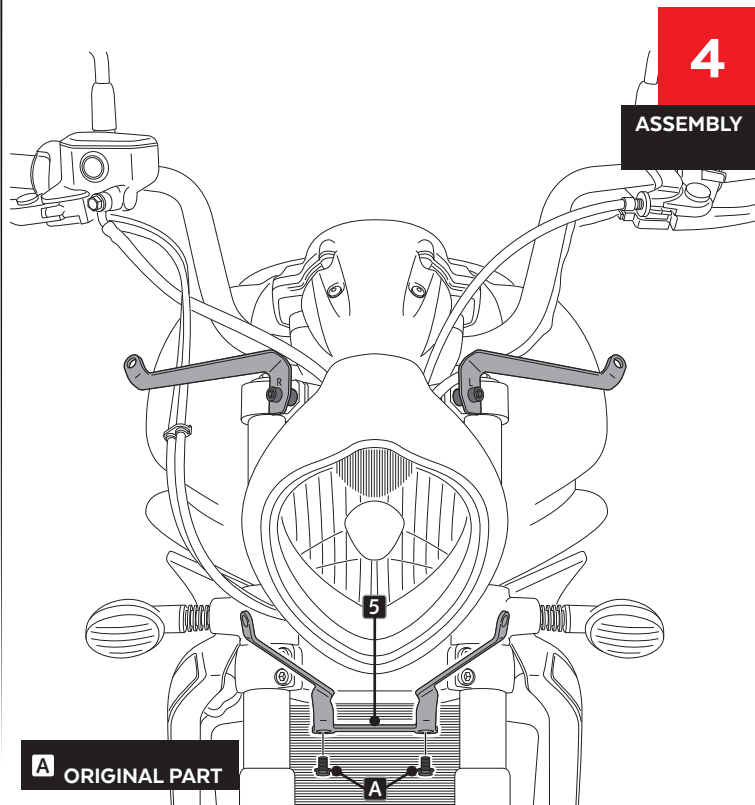
3

ASSEMBLY



4

ASSEMBLY



6



Tightening torque - 20Nm

A

ORIGINAL PART

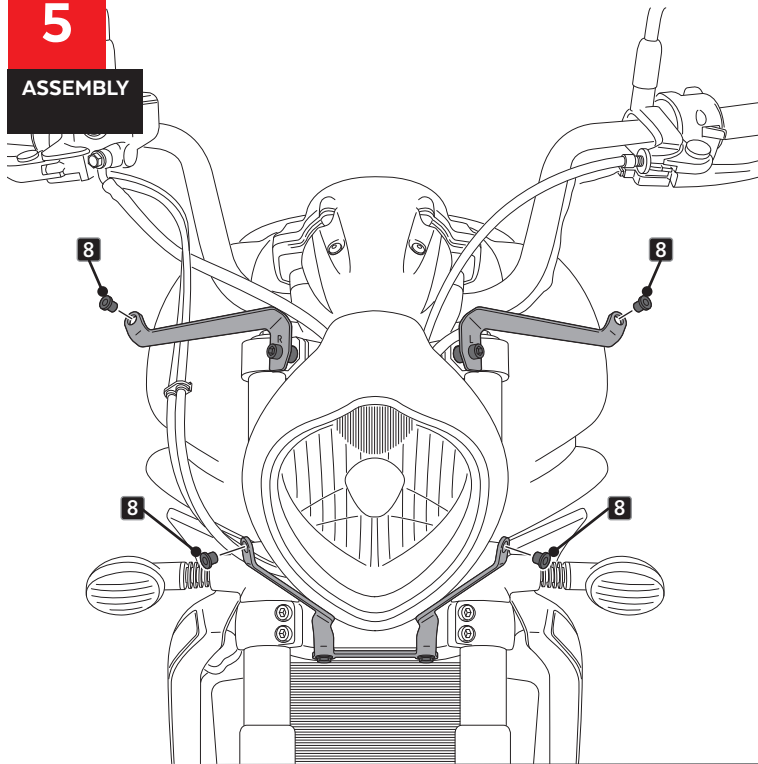
CustomAcces

KAWASAKI VULCAN S '15-

- MOUNTING INSTRUCTIONS -

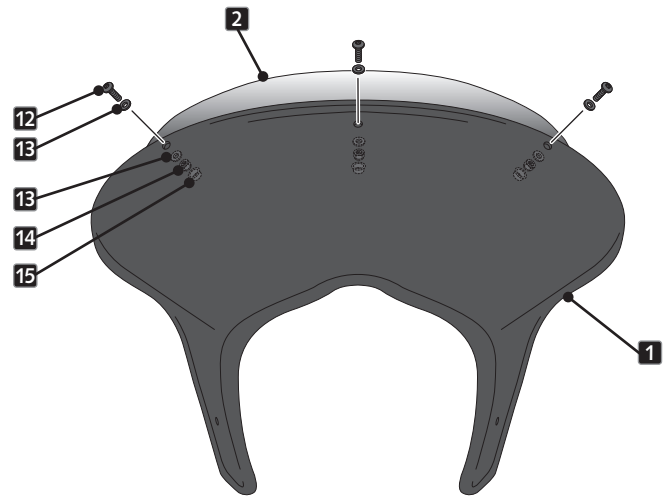
5

ASSEMBLY



6

ASSEMBLY



7

ASSEMBLY

