

Items Supplied >

- 1 – Powrpro Black Fuel Injection Module
- 1 – Zip Tie, (1): 3/16" x 8"
- 1 – Velcro Strip

Application(s) >

Yamaha V-Star 1300/Tourer 07-16

Instruction Manual >

92-1774B

Page 1 of 2

Read all instructions carefully and completely before installing your new POWRPRO module. It is recommended that a qualified mechanic or technician install this product. Before installing it is recommended that the gas tank be low on fuel.

1. Remove the seat. Remove the two 12mm headed bolts securing the rear of the fuel tank, prop the tank up securely to allow access to the fuel injector connector.
2. Position the Fi2000 module in the area under the seat, then feed the Fi2000 harness with the white connector forward under the seat latch bracket and route it forward between the two large fuel hoses, see Figure 1.
3. Locate the four prong white connector up under the fuel tank on the left side of the frame. Unplug this connector then plug each male and female connector into the corresponding stock connectors, see Figure 2. Tuck these connectors out of the way and lower the fuel tank.
4. Route the second harness with the clear connectors forward under the right side frame rail and forward of the right side panel. Next slide the harness back between the right frame rail and top of the side panel until you can route the harness down and behind the rear edge of the side panel in the cutout for the fuel lines and clutch cable, the panel may need to be removed. Remove the three allen screws from the triangular cover to access the O₂ sensor connection. Unplug this connection and then plug in the corresponding Fi2000 connectors into the stock connectors. Replace the triangular cover to hide these connectors.
5. Velcro the Fi2000 module to the black fuel pump tank, see Figure 1. Lift up the tool tray / battery cover to access the negative post of the battery. Attach the ground wire from the Fi2000 to the negative post. Reinstall the cover. Before reinstalling the seat, verify connections.
6. Verify that the module has power and connections have been made correctly; watch the clear window on the FI housing and turn "ON" the key ignition and set the handlebar run switch to "ON", confirm that the Red LED turns on. On some models the Red light will turn off after 4-5 seconds as the fuel pump cycles off, which is OK. If you do not see a Red light, it may be necessary to wait for the alarm to reset (if applicable) and try again. Also confirm the side stand is up, bike is in neutral, and clutch is in. Start the bike and confirm the LED remains on solid Red. **NOTE:** Make sure ignition is turned off before attempting to change any Fi2000 harness connections if no Red light is seen. For access to the Blue Tooth Tuning App on the module, please download the PowrPro Black App to your smart device, Android 4.3 & later or Apple iOS 5.0 & later operating systems. Once the app is installed, make sure the motorcycle is in neutral and start the engine, use the connect button within the app and the Blue light on the Fi module window will light up during pairing connection and remain solid Blue while paired and connected with respective Android or Apple Device. Once the app has been used and settings saved and disconnected through the app, the Blue light will turn off, and the PowrPro Black will be ready for continued service on the motorcycle.

DISCLAIMER: NOT LEGAL FOR SALE OR USE IN CALIFORNIA ON ANY POLLUTION CONTROLLED MOTOR VEHICLES.

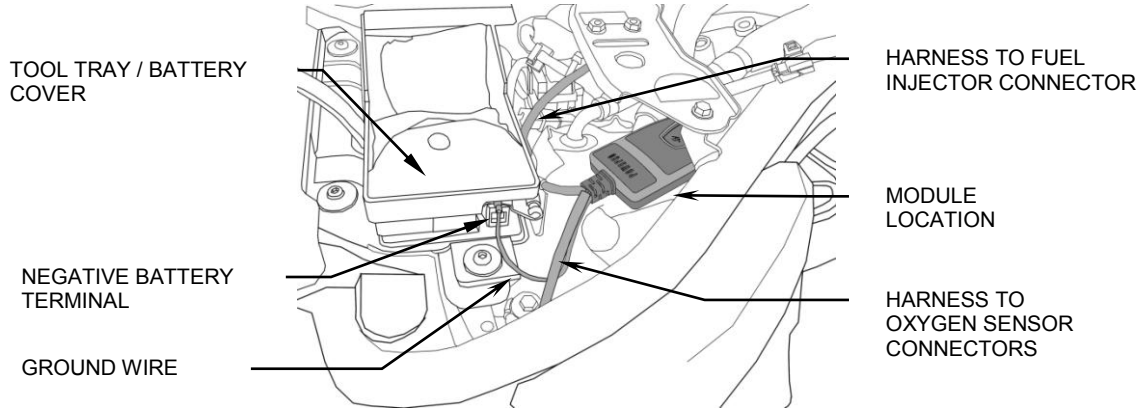


FIGURE 1

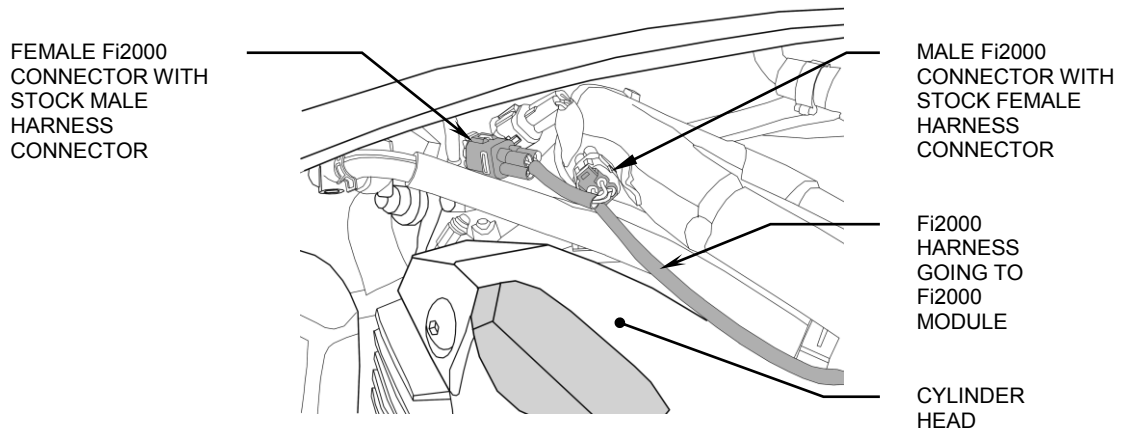


FIGURE 2

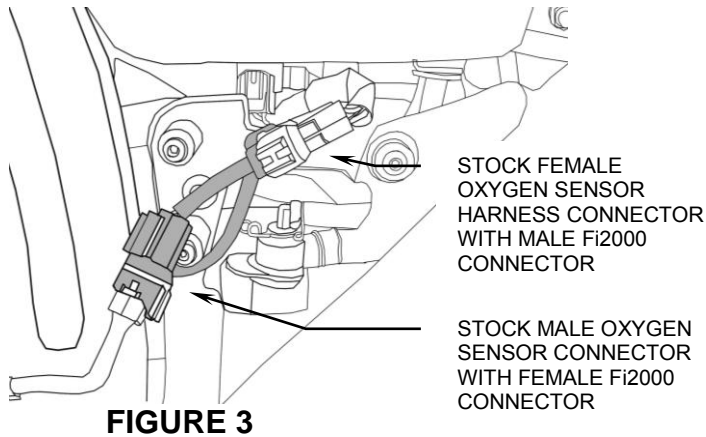


FIGURE 3

DISCLAIMER: NOT LEGAL FOR SALE OR USE IN CALIFORNIA ON ANY POLLUTION CONTROLLED MOTOR VEHICLES.