

## Items Supplied >

2 – FRONT & REAR EXHAUST HEADPIPE  
2 – FRONT & REAR EXHAUST HEATSHIELD  
1 – COLLECTOR HEATSHIELD  
1 – MUFFLER  
1 – EXHAUST BRACKET  
5 – CLAMPS, HEATSHIELDS  
2 – CLAMPS, HEADPIPES  
1 – CLAMP, MUFFLER  
2 – BOLT, HEX 5/16-18 x .63  
2 – BOLT, HEX 3/8 x .75  
1 – SCREW, S.H.C 3/8-16 x 2.50  
1 – SCREW, S.H.C. 1/2-20 x 3.00  
1 – SPACER, SHORT  
1 – SPACER, LONG

## Application(s) >

FXSTS 86-06  
FLSTF 86-06  
FXSTB 86-06  
FXST 86-06  
FXSTC 86-06  
FXSTD 86-06  
FLSTC 86-06

## Instruction Manual >

6420

Page 1 of 2

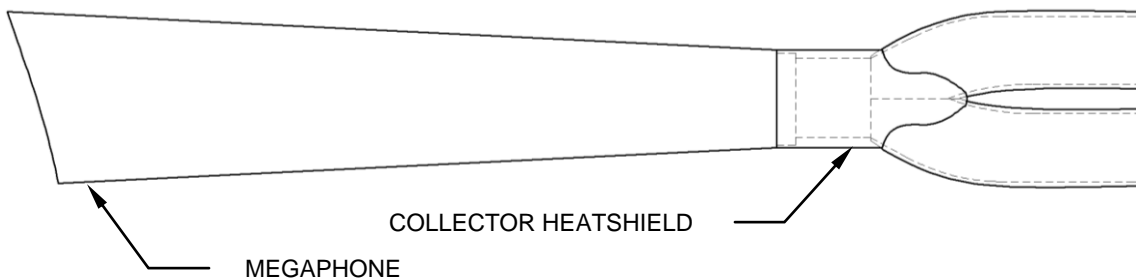
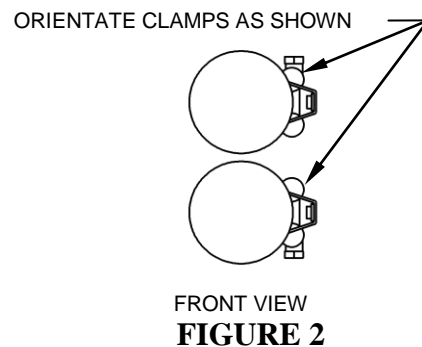
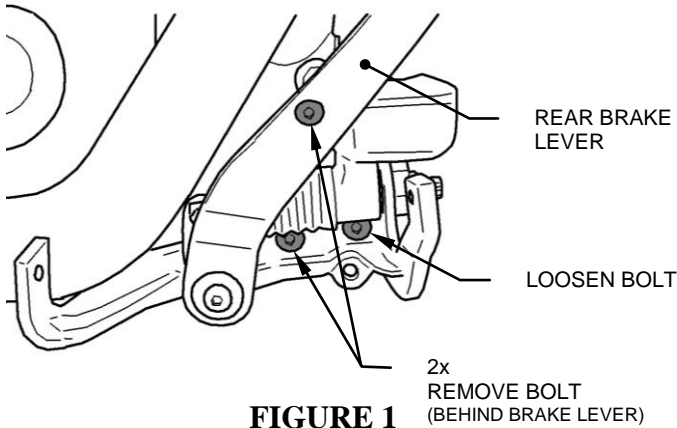
**PRIOR TO INSTALLATION, MAKE SURE YOUR STOCK HEADPIPE GASKETS ARE IN GOOD SHAPE. IF YOU HAVE ANY DOUBTS AS TO THEIR CONDITION, REPLACE THEM.**

**Read all instructions carefully and completely before installing your new exhaust system**

1. Remove stock exhaust system. On FLSTC, FLSTN, FLSTF, and FXSTS, remove the right front floorboard. Next remove the two floorboard mounting bracket bolts leaving the third in place but loose and rotate mount down out of the way. (See figure 1). This will make installation of exhaust and heat shields possible.
2. On pre-2000 models, remove the stock lower mounting bar.
3. On models FLSTN, FLSTF, and FXSTD, remove the stock upper mounting bar.  
**If you have a 1999 model or older proceed to step #4.**  
**If you have a 2000 model or newer proceed to step #5.**
4. Remove the right passenger foot peg bolt. Position the motorcycle on the side stand with a floor jack under the swing arm pivot bolt on the right hand side. Raise the jack just enough to take the weight off the pivot bolt, remove the bolt and stock mounting bar. Reinstall the pivot bolt and torque it between 120-150 ft. lbs. Reinstall the passenger foot peg using the 1/2"-20 x 3" bolt and the supplied 1-5/8" long spacer.
5. Using a #50 Torx driver, remove the three mounting bolts, and set the mounting bar aside. (Two of the bolts are visible; removing the right hand passenger foot peg will allow access to the third bolt.) Replace the foot peg using the 3/8"-16 x 2-1/2" bolt and the supplied 3/4" long spacer.
6. Bolts and spacer used in steps #4 and #5 may also be used on all softail models to space the right rear foot peg away from the exhaust system if you so desire.
7. Remove the flange and retaining ring from the stock headpipes.
8. Place the exhaust mount bracket on the motorcycle and bolt into place using the supplied 3/8" bolts. **DO NOT TIGHTEN** at this time.
9. Remove front and rear headpipe from box and install stock flange and retaining ring onto pipes.
10. Install the front and rear headpipes on the motorcycle but **DO NOT TIGHTEN**. Make sure the pipes are parallel with each other.
11. Remove the muffler assembly from the box and slide one supplied clamp #27-61MSC onto each muffler tube. Refer to Figure 2 for proper alignment.
12. Slide the muffler assembly onto the head pipes by tapping on the head pipes with your hand as you push the mufflers forward making sure the assembly slides as far forward as possible. Secure the muffler assembly to the mounting bracket using the supplied 5/16-18 bolts but **DO NOT TIGHTEN**.

\* **Cobra® recommends you always wear a helmet while riding. Please never operate your motorcycle while under the influence of alcohol and/or drugs. Enjoy the new look of your motorcycle and please ride safely.**

13. Make sure the muffler assembly is properly aligned then tighten the following in order, muffler bracket to the frame, muffler assembly to the muffler bracket, head pipe flanges to the motor (slowly tighten opposing nut) and muffler clamps. (NOTE: If the muffler clamps are slid to far up the muffler or past the three slots, the clamps will not tighten.)
14. Unscrew the remaining hose clamps and feed the tail end of the clamp through the clips on the inside of the heat shields. The screw end of the hose clamp should be accessible for tightening but not visible when the heat shields are mounted to the pipes.
15. Place the heatshields on the headpipes and align at collector but **DO NOT TIGHTEN** at this time. Feed the tail end of the #28 hose clamp thru the collector heat shield and snap into place over the megaphone and heat shields (See figure 3). Tighten all clamps.
16. Reinstall the right floorboard assembly with its original hardware and tighten to factory specs.
17. Make sure all hardware is tight before starting your motorcycle.



**IMPORTANT:** If your motorcycle is equipped with fuel injection it is recommended that you install a Cobra Fi2000® Digital Fuel Processor with your Cobra exhaust system. **Part #692-1605 for 1986-2005 models, and #692-1604 for 2006 models.** Cobra is not responsible for the performance of any other fuel management system used with Cobra exhaust systems.

**Before starting your engine remove all fingerprints from chrome with a quality wax or chrome polish. Failure to do so can cause discoloration. Due to fluctuations in fuel injection/carburetion settings, timing, etc., Cobra Engineering does not warrant against chrome discoloration.**

California does not allow the use of aftermarket exhaust systems that remove original equipment catalyts, (except for racing use only) unless the Air Resources Board has issued an Executive Order for that system.