

COBRA

Items Supplied >

- 1 – FRONT MUFFLER ASSEMBLY
- 1 – REAR MUFFLER ASSEMBLY
- 4- 1/4" X 3/4" HEX FLANGED BOLTS

NOTE: MUFFLER INLET GASKETS CANNOT BE REUSED. NEW GASKETS (HD PN# 65900017) MUST BE PURCHASED BEFORE INSTALLATION.

Application >

HARLEY SOFTAIL:	
FXBB STREET BOB	18-20
FXLR LOW RIDER	18-20
FLSL SLIM	18-20
FXBR/FXBRS BREAKOUT	18-20
FLFB/FLFBS FATBOY	18-20

Instruction Manual >

6057

Page 1 of 2

*****NOTE: MUFFLER INLET GASKETS CANNOT BE REUSED. NEW GASKETS (HD PN# 65900017) MUST BE PURCHASED BEFORE INSTALLATION.*****

Read all instructions carefully and completely before installing your new slip-on mufflers.

1. Remove the front (lower) muffler first. Loosen the muffler clamp and remove the two bolts on the muffler mount. Then slide the muffler backward off of the headpipe. Save the muffler clamp as it will be reused.
2. Remove the rear (top) muffler the same way. **NOTE:** If you cannot get the proper wrench to remove the rear (top) bolts from the muffler mount bracket then remove the muffler and muffler mount bracket together as a unit by removing the lower two bolts on the muffler mount bracket. See **Figure 1**. Once the muffler and bracket have been removed from the motorcycle then detach the muffler from the bracket. Save the muffler clamp as it will be reused.

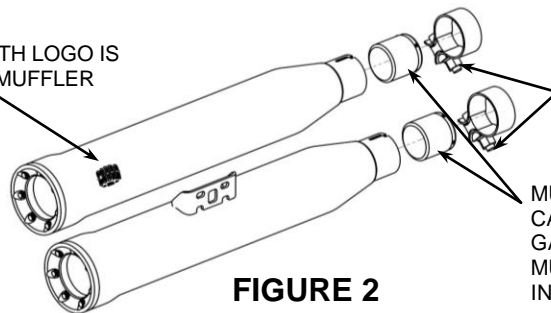


REMOVE MUFFLER BRACKET BOLTS TO REMOVE MUFFLER AND BRACKET TOGETHER.

FIGURE 1

3. If the muffler mount was removed then install the muffler mount back onto the motorcycle. Snug the bolts but **do not tighten** at this time.
4. Position the stock clamps with hex head as shown in **Figure 2** and slide them onto the slip-on mufflers.
5. Install new muffler inlet gaskets into the muffler inlets. See **Figure 2**. **NOTE:** MUFFLER INLET GASKETS CANNOT BE REUSED. NEW GASKETS (HD PN# 65900017) MUST BE PURCHASED BEFORE INSTALLATION.

MUFFLER WITH LOGO IS REAR (TOP) MUFFLER



ORIENT STOCK CLAMPS WITH HEX HEAD AS SHOWN

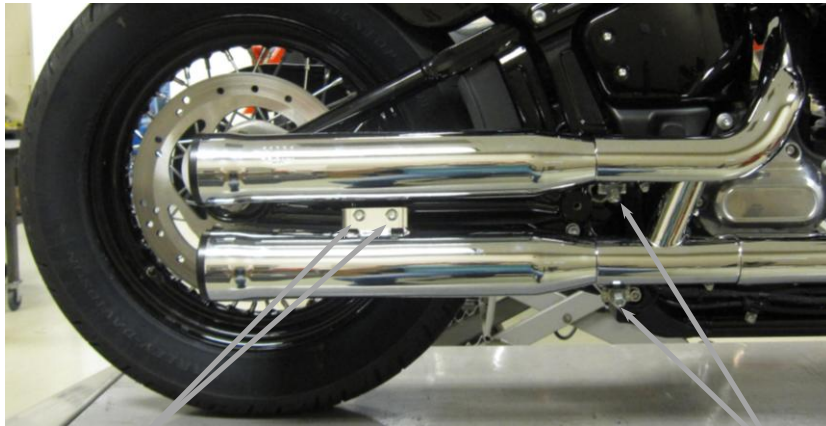
MUFFLER INLET GASKETS CANNOT BE REUSED. NEW GASKETS (HD PN# 65900017) MUST BE PURCHASED BEFORE INSTALLATION.

FIGURE 2

Continued on Page 2

DISCLAIMER: NOT LEGAL FOR SALE OR USE IN CALIFORNIA ON ANY POLLUTION CONTROLLED MOTOR VEHICLES.

Anything's Possible.®



SUPPLIED 1/4" X 3/4"
HEX FLANGED BOLTS

FIGURE 3

NOTE: SOFTAIL SLIM SHOWN. MUFFLER
POSITION VARIES DEPENDING ON MODEL.

STOCK MUFFLER
CLAMPS

- Slide the rear (top) muffler onto the head pipe first, then the front (bottom) muffler second, until the mounting holes align. See **Figure 3**. **NOTE: THE MUFFLER WITH THE COBRA LOGO IS THE REAR (TOP) MUFFLER.**
- Fasten the mufflers using the supplied 1/4" x 3/4" hex flanged bolts in the same manner as stock but **do not tighten**. See **Figure 3**. Verify that the gap, where the mufflers meet the stock heat shields, is similar to the gap the stock mufflers allotted.
- Adjust the muffler mount bracket up or down so the mufflers are straight on the bike and then tighten the two bolts on the muffler mount bracket. Tighten to factory specifications.
- Check all clearances and alignments then tighten the clamps. (**NOTE:** The muffler clamps should be flush with the end of the muffler when tightened. See **Figure 4**. If the muffler clamps are slid backward past the slots on the muffler slip the clamps will not tighten the mufflers properly).
- Tighten the mounting bolts to factory specifications.
- IMPORTANT: Before starting your engine remove all fingerprints from chrome with a quality wax or chrome polish. Failure to do so can cause chrome discoloration. Due to fluctuations in fuel delivery settings, timing, etc., Cobra Engineering does not warrant against chrome discoloration.**
- Check the tightness of the button head bolts securing the core/tip to each muffler after the first ride, 100 miles, and every 500 miles after that.

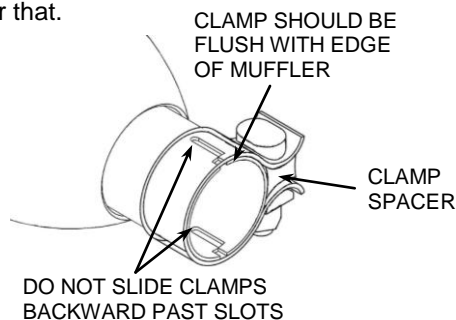


FIGURE 4

DISCLAIMER: NOT LEGAL FOR SALE OR USE IN CALIFORNIA ON ANY POLLUTION CONTROLLED MOTOR VEHICLES.

Anything's Possible.®