

Items Supplied >

- 1 - LEFT SADDLEBAG SUPPORT
- 1 - RIGHT SADDLEBAG SUPPORT
- 2 - BOLT, 5/16"-18 X 1-3/4" BUTTONHEAD
- 2 - BOLT, 5/16"-18 X 2" BUTTONHEAD
- 4 - WASHER, 5/16" THICK

Application(s) >

HARLEY SPORTSTER

04-18

Instruction Manual >

602-6103

Page 1 of 1

Read all instructions carefully before installing your new Cobra® product!

1. Remove and discard the (2) 5/16" bolts/washers from the left side fender rail. Do NOT remove the chrome fender rail.
2. Install left saddlebag support onto the outside of the chrome fender rail (part # facing inward) by inserting the longer supplied 5/16"-18 x 2" bolt through the front hole of the saddlebag support, supplied washer and into the fender rail. Insert the shorter supplied 5/16"-18 x 1-3/4" bolt through the rear hole, washer and into the fender. See Figure 1. Do not fully tighten yet.
3. Repeat Steps 1 & 2 on right side.
4. Adjust saddlebag supports and fender as needed then and torque all 5/16" bolts to their appropriate values.

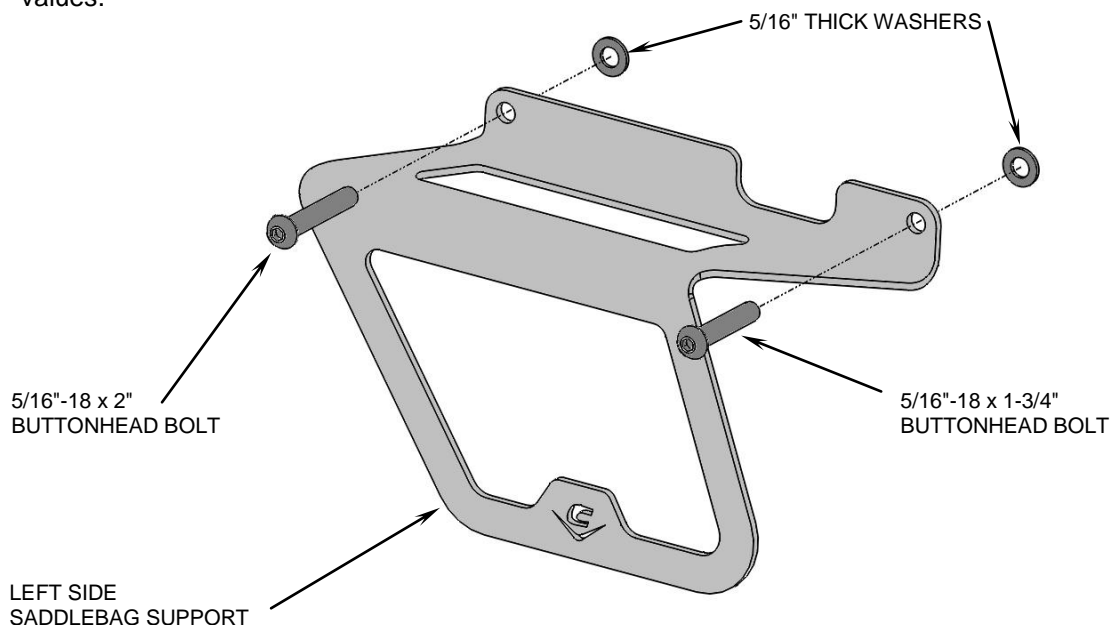


FIGURE 1
(LEFT SIDE SHOWN)

* **Cobra® recommends you always wear a helmet while riding. Please never operate your motorcycle while under the influence of alcohol and/or drugs. Enjoy the new look of your motorcycle and please ride safely.**

DOCUMENT NO. 0017 REV. B

04/17

Anything's Possible®