

Items Supplied >

- 1 - LEFT SADDLEBAG SUPPORT
- 1 - RIGHT SADDLEBAG SUPPORT
- 4 - BOLT, 3/8"-16 X 1 1/4" BUTTONHEAD
- 4 - WASHER, 3/8" NYLON

Application(s) >

HARLEY SOFTAIL

00-13

Instruction Manual >

602-6100

Page 1 of 1

Read all instructions carefully before installing your new Cobra® product!

1. Remove and discard the (2) 3/8" bolts/washers from the left side fender rail. Do NOT remove the chrome fender rail.
2. Install left saddlebag support onto the outside of the chrome fender rail (part # facing inward) by inserting (2) supplied 3/8"-16 x 1 1/4" buttonhead bolts through the saddlebag support, supplied nylon washers and into the fender rail. See Figure 1. Do not fully tighten yet.
3. Repeat Steps 1 & 2 on right side.
4. Adjust saddlebag supports and fender as needed then and torque all 3/8" bolts to their appropriate values.

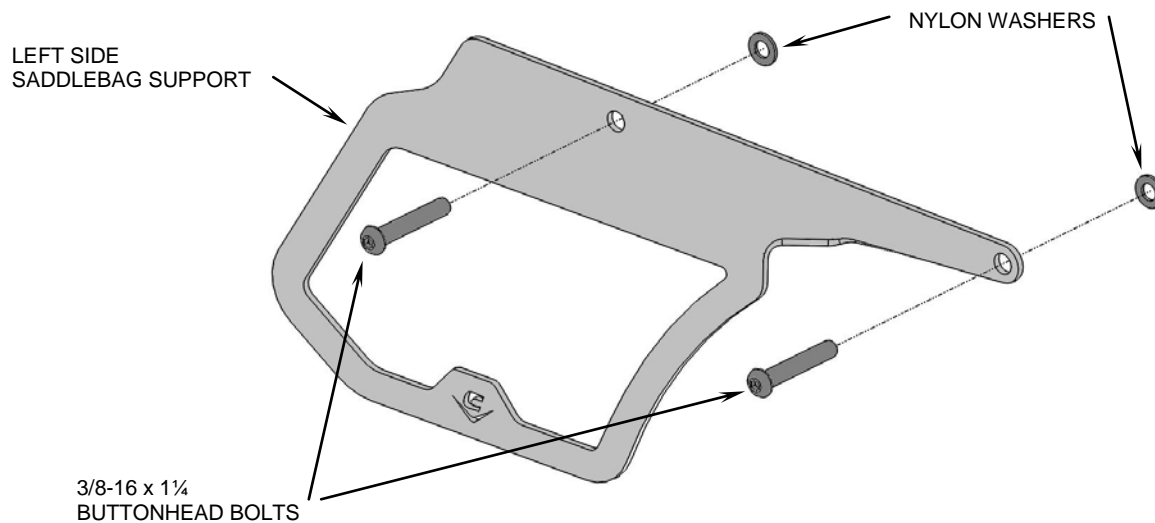


FIGURE 1
(LEFT SIDE SHOWN)

* **Cobra® recommends you always wear a helmet while riding. Please never operate your motorcycle while under the influence of alcohol and/or drugs. Enjoy the new look of your motorcycle and please ride safely.**

DOCUMENT NO. 0017 REV. B

06/11

Anything's Possible®