

Items Supplied >

- 1 - Sissy Bar w/ Pad
- 2 - Detachable Side Plates (Left/Right)
- 2 - Front Mounting Bushings
- 2 - Rear Bushing Spacers
- 2 - Rear Bushing Sleeves
- 2 - Rear Bushing
- 2 - 5/16"-18 x 2-3/4" Buttonhead Bolts
- 2 - 5/16"-18 x 2-1/4" Buttonhead Bolts
- 4 - M8 x 16mm Buttonhead Bolts

Application(s) >

HARLEY:
SPORTSTER 04-20

(NOTE: WILL NOT FIT 16-17 ROADSTER)

Instruction Manual >

602-2045/602-2045B

Page 1 of 3

Read all instructions carefully before installing your new Cobra® product!

1. Remove the front bolt and inner nut from the right side fender rail. Save the inner nut because it will be reused. **NOTE:** Remove one side only so the fender does not fall resulting in possible scratches or damage to the fender or paint. See **FIGURE 1**.
2. Install the front mounting bushing into the front hole using the supplied 5/16"-18 x 2-3/4" long buttonhead bolt and stock inner nut. Tighten bolt securely. See **FIGURE 3**.
3. Remove the rear fender rail bolt and inner nut. Save the inner nut because it will be reused. See **FIGURE 1**.
4. Assemble the supplied plastic bushing over the sleeve as shown in **FIGURE 2**. Make sure the chamfered inner edge goes towards the wide end of the sleeve.
5. Install the bushing onto the rear of the frame rail by inserting the 5/16"-18 x 2-1/4" long buttonhead bolt through the sleeve, through the supplied bushing spacer, and into the rear frame. See **FIGURE 3**.
6. Position the inner nut on the inside of the fender and tighten the bolt securely. Make sure the tab on the inner nut goes into the hole on the inner fender.



FIGURE 1

CONTINUED ON PAGE 2

* *Cobra® recommends you always wear a helmet while riding. Please never operate your motorcycle while under the influence of alcohol and/or drugs. Enjoy the new look of your motorcycle and please ride safely.*

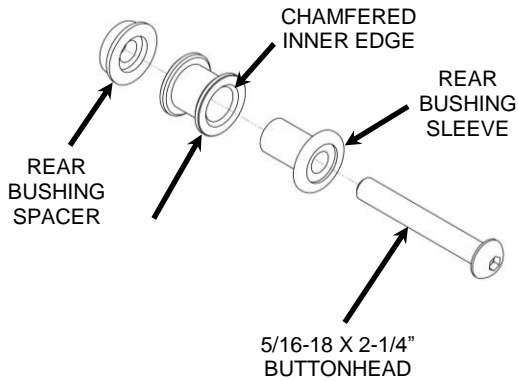


FIGURE 2



FIGURE 3

ASSEMBLED SLEEVE, PLASTIC BUSHING, AND BUSHING SPACER

5. Repeat Steps 1-4 on the left side.
6. Install the supplied side plates on to the sissy bar with the four M8 X 16mm button head bolts. Make sure the u-shaped grommets are facing the same direction as the sissy bar pad and the part numbers are facing inward. See **FIGURE 4**. Snug the bolts but **DO NOT TIGHTEN** at this time.

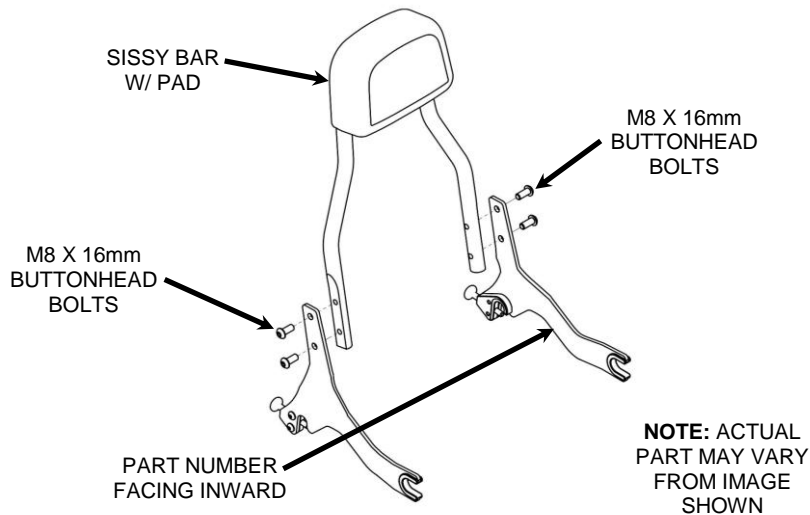


FIGURE 4

7. Install the sissy bar onto the bike by first inserting the front portions of the side brackets on to the front mounting bushings on the frame rails. Make sure the sissy bar is seated all the way onto the mounting bushings. See **FIGURE 5**.
8. Then slowly rotate the sissy bar downward so the rear portions of the brackets slip over the rear mounting bushings. See **FIGURE 5**.

CONTINUED ON PAGE 3

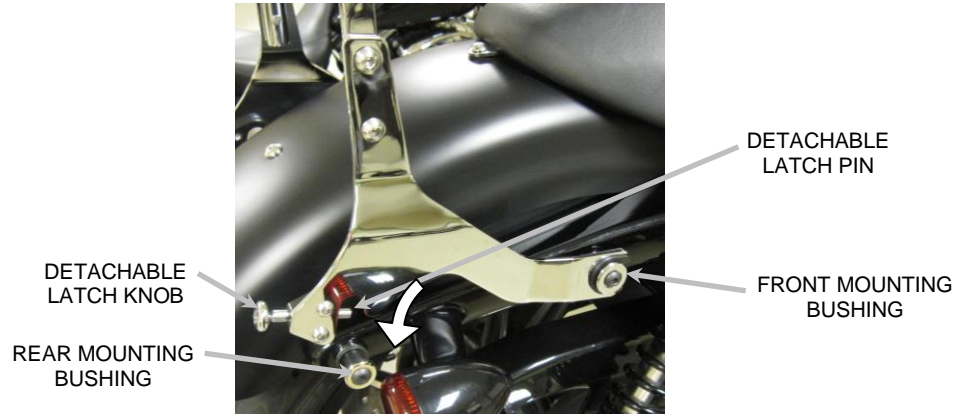


FIGURE 5

15. Pull backward on both detachable latch knobs and then push downward on the backrest to allow the backrest to sit completely on the rear mounting bushings. Then release the detachable latch knob to fully engage the latch pin underneath the mounting kit bushing. See **FIGURE 6**.
16. Always check to make sure both detachable latch pins are fully engaged on the bottom of the mounting kit bushing. Failure to fully engage the detachable latch pin could cause the backrest to come loose while riding. See **FIGURE 6**.
17. Pull backward on the top of the sissy bar and then tighten all four M8 X 16mm bolts. See **FIGURE 6**.
18. Before each ride, check to make sure the detachable latches are fully engaged underneath the mounting bushings.
19. Check the tightness of all the screws after the first ride and after the first 500 miles.

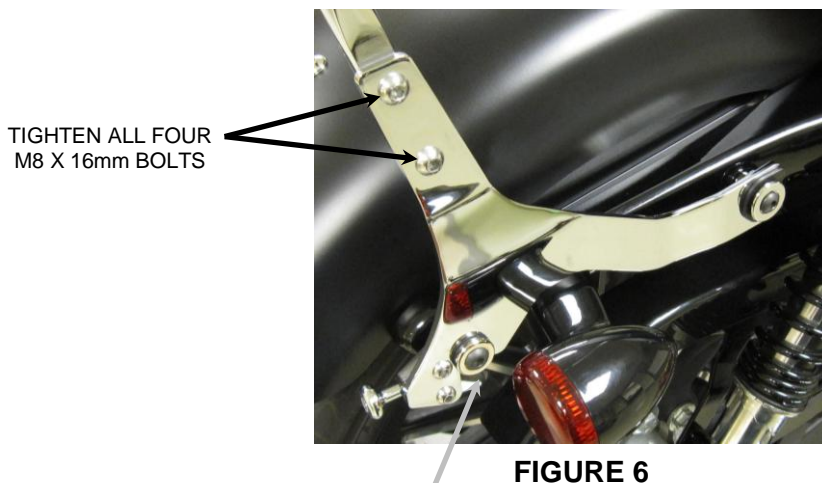


FIGURE 6

MAKE SURE LATCH PIN
IS FULLY ENGAGED
UNDER BUSHING

To clean your black accessory use a liquid based soap detergent, such as dishwashing soap applied with a soft cloth and rinse with clean water. **Note:** Avoid abrasive cleaning methods such as granular or dry cleansers, simple green, Scotch-Brite or steel wool pads. Abrasives may breach the coating and shorten life.