

Items Supplied >

- 1 – FREEWAYBAR
- 2 – BOLT, BUTTONHEAD 3/8"-16 X 1"
- 2 – BOLT, BUTTONHEAD 3/8"-16 X 3/4"

Application(s) >

HARLEY
SPORTSTER 2004 - 2018

Instruction Manual >

601-2106B

Page 1 of 1

Read all instructions carefully before installing your new Cobra® product!

1. Remove any accessories that may prohibit the installation of your new freeway bar.
2. Remove and discard the (2) 3/8" motor mounting bolts securing the upper portion of the front cylinder to the frame. See Figure 1.
3. Position the freeway bar into place between the frame rails and front tire. Align the slotted holes in the freeway bar's upper mount with the open holes on the frame (refer to Step 2) and insert the (2) supplied 3/8"-16 x 1" buttonhead bolts but **DO NOT TIGHTEN**. See Figure 2.
4. Thread the (2) supplied 3/8"-16 x 3/4" buttonhead bolts thru the lower freeway bar mount and into the lower frame brace but **DO NOT FULLY TIGHTEN**. See Figure 2.
5. Make sure freeway bar is aligned properly then fully tighten all bolts to factory specifications.

Cobra Freeway Bars add style to your motorcycle. They are not designed to withstand a serious impact and may not protect you and/or your motorcycle in the event of a crash.

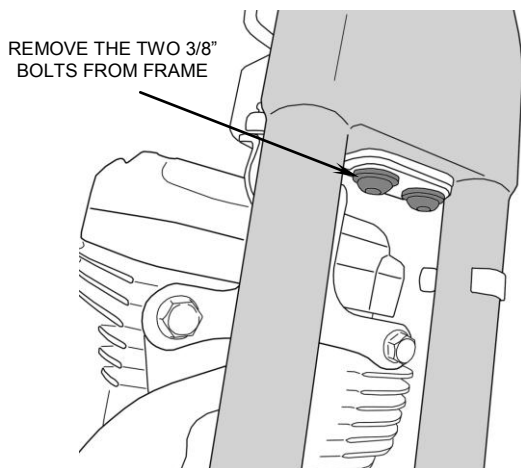


FIGURE 1

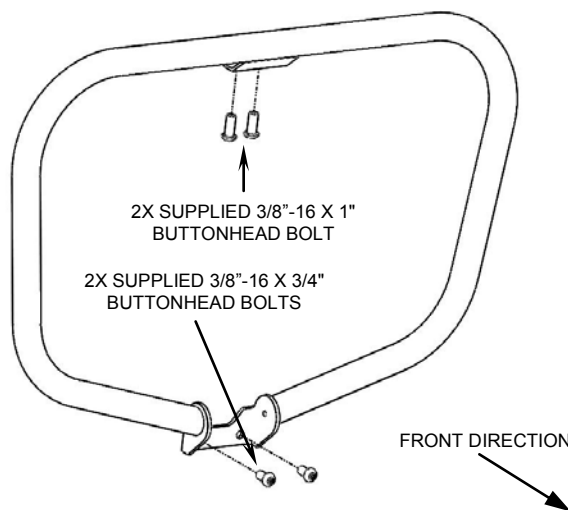


FIGURE 2

CLEANING INSTRUCTIONS:

To clean your black freeway bars use a liquid based soap detergent, such as dishwashing soap applied with a soft cloth and rinse with clean water. Note: Avoid abrasive cleaning methods such as granular or dry cleansers, simple green, Scotch-Brite or steel wool pads. Abrasives may breach the coating and shorten life.

***Cobra® recommends you always wear a helmet while riding. Please never operate your motorcycle while under the influence of alcohol and/or drugs. Enjoy the new look of your motorcycle and please ride safely.**