

COBRA

Items Supplied >

- 1 - FRONT EXHAUST ASSEMBLY W/ HEATSHIELD
- 1 - REAR EXHAUST ASSEMBLY W/ HEATSHIELD
- 1 - BRACKET, EXHAUST MOUNTING
- 1 - BRACKET, BRAKE RESERVOIR RELECTOR
- 4 - CLAMP, HS-24; 2 - CLAMP, HS-28; 1 -ZIPTIE, 6" BLACK
- 2 - BILLET MUFFLER TIPS
- 4 - BOLT, 5/16 X 5/8 FLANGE; 2 SCREW, ¼ X 3/8 BUTTON
- 2 - BOLT, M8 X 16 mm FLANGE
- 1 - BOLT, M6 X 20 mm FLANGE; 1 - NUT, M6 LOCKING

Application(s) >

YAMAHA V-STAR 1100 99-UP

Instruction Manual >

2617

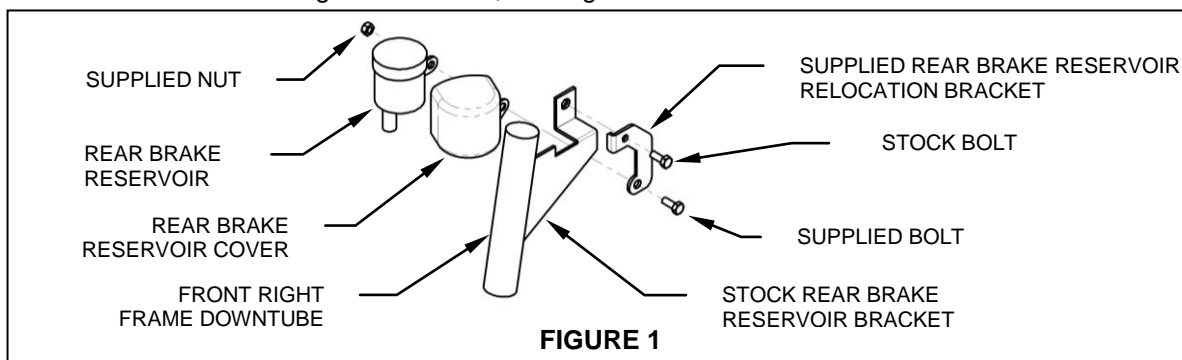
Page 1 of 2

PRIOR TO INSTALLATION, MAKE SURE YOUR STOCK HEADPIPE GASKETS ARE IN GOOD SHAPE.

IF YOU HAVE ANY DOUBTS AS TO THEIR CONDITION, REPLACE THEM.

Read all instructions carefully and completely before installing your new exhaust system!

1. Remove the two bolts holding the drivers right footpeg/floorboard assembly to the frame.
2. Remove the two zip ties that hold the rear brake reservoir hose and rear brake light switch wire to the frame being careful not to damage the wire or hose.
3. Unbolt the rear brake master cylinder reservoir and cover from the stock bracket setting the stock bolt aside for future reassembly. Do not disconnect the brake line.
4. Remove the stock exhaust system setting the stock exhaust flange nuts aside for future reassembly.
5. Remove the stock exhaust-mounting bracket located at the rear of the frame.
6. Attach the bent end of the supplied master cylinder relocation bracket to the stock rear brake reservoir bracket using the stock bolt, see Figure 1.



7. Attach the reservoir and cover to the backside of the supplied reservoir bracket using the supplied M6 bolt and nylock nut.
8. Attach the rear brake reservoir hose and brake light switch wire to the frame down tube with the supplied 6" zip tie so they do not interfere with the Cobra exhaust system.
9. Install the supplied exhaust-mounting bracket where the stock exhaust bracket was located by inserting the two supplied M8 bolts through the mounting bracket and into the frame, see Figure 2, (do not tighten at this time).

*** Cobra® recommends you always wear a helmet while riding. Please never operate your motorcycle while under the influence of alcohol and/or drugs. Enjoy the new look of your motorcycle and please ride safely.**

Anything's Possible.®

10. Install the front and rear pipes on to the motorcycle using the stock nuts, bolts and supplied 5/16" flange bolts but **DO NOT TIGHTEN** at this time.
11. Make sure the front and rear exhaust assemblies are parallel to the ground then tighten the following in order, exhaust bracket to the frame, head pipe flanges to the motor (slowly tighten opposing nut), and exhaust assembly to the exhaust bracket.
12. On the heatshields unscrew the remaining hose clamps and feed the tail end of the clamp through the clips on the inside. The screw end of the hose clamp should be accessible for tightening but not visible when the heatshields are mounted to the pipes.
13. To install the front heatshield, first slide the rear portion of the heatshield over the muffler, continue to slowly slide it forward pushing the front of the shield gently into place between the frame and motor (Hint: Spread the hose clamps apart slightly to make it easier to slide them over the rear of the exhaust and head pipe area.) Snug the heatshield clamps but **DO NOT TIGHTEN**.
14. Install the rear heatshield the same way as the front heatshield.
15. Install one billet tip on each heatshield making sure the ends of the tips are parallel with each other. Fasten the tips with the supplied 1/4" buttonhead screws making sure they snug up against the heatshield leaving no gap between the tip and heatshield when tighten. **If it is difficult to slide the tips into the heatshields loosen the clamps on the heatshield, failure to do this may cause damage to the chrome tips.**
16. Tighten the clamps on the heatshields.
17. Reinstall footpeg/floorboard assembly with the stock bolts and tighten.
18. Make sure all the hardware (brackets, headpipes, heatshields, and tips) has been tightened appropriately and cleaned before starting your motorcycle.

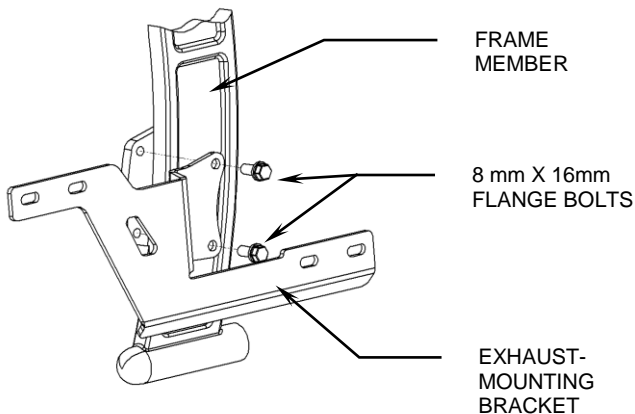


FIGURE 2

IMPORTANT: It is recommended that you re-jet your bike with a Cobra Jet Kit, available from Cobra part #92-2167. **Before starting your engine remove all fingerprints from chrome with a quality wax or chrome polish. Failure to do so can cause discoloration. Due to fluctuations in carburetor settings, timing, etc., Cobra Engineering does not warrant against chrome discoloration.**

California does not allow the use of aftermarket exhaust systems that remove original equipment catalysts, (except for racing use only) unless the Air Resources Board has issued an Executive Order for that system.