

COBRA

Items Supplied >

- 1 – FRONT HEADPIPE AND HEATSHIELD
- 1 – REAR HEADPIPE AND HEATSHIELD
- 1 – MUFFLER ASSEMBLY
- 2 – EXHAUST FLANGES
- 5 – HOSE CLAMP HS-24; 2 - HOSE CLAMP HS-28
- 1 – MUFFLER CLAMP 27-61 MSC
- 1 – BRACKET, BRAKE RESERVOIR
- 2 – BOLT, HEX 5/16"-18 x 3/8"
- 2 – BOLT, HEX M10 x 20mm
- 2 – NUT, HEX M6 NYLOCK
- 2 – NUT, HEX M10 NYLOCK

Application(s) >

YAMAHA WARRIOR

02-UP

Instruction Manual >

2222

Page 1 of 2

**PRIOR TO INSTALLATION, MAKE SURE YOUR STOCK HEADPIPE GASKETS ARE IN GOOD SHAPE.
IF YOU HAVE ANY DOUBTS AS TO THEIR CONDITION, REPLACE THEM.**

Read all instructions carefully and completely before installing your new exhaust system

1. Loosen the right side rider footpeg mount for clearance but **DO NOT REMOVE**. Remove the stock exhaust system and lower exhaust mount bracket saving all bolts removed.
2. Remove the stock upper exhaust bracket by first removing the (2) bolts that hold the rear brake reservoir to the stock bracket then remove the (2) M10 buttonhead bolts from where the stock bracket contacts the frame. Set the three bolts aside for future reassembly, - one bolt will remain in frame.
3. Install the supplied brake reservoir bracket where the stock upper exhaust bracket was located using the stock M10 bolts and the supplied M10 nuts. See Figure 1 for bracket orientation.
4. Mount the rear brake reservoir between the bracket and wheel using the stock bolts and supplied M6 nuts. (See Figure 1.)
5. Install the supplied exhaust mount to the motorcycle using the supplied M10 x 20mm bolts. **DO NOT TIGHTEN** at this time. (See Figure 1.)
6. Install the front and rear headpipes onto the motorcycle using the supplied exhaust flanges, stock hardware and stock gaskets. **DO NOT TIGHTEN** at this time.
7. Remove the muffler assembly from the box and slide two supplied 27-61MSC clamps onto the flared muffler inlets. (Refer to Figure 2 for alignment.)
8. Slide the muffler assembly onto the headpipes by tapping on the headpipes with your hand as you push the mufflers forward making sure the assembly slides as far forward as possible. Bolt muffler assembly to supplied exhaust mount using the (2) supplied 5/16" hex flange bolts. **DO NOT TIGHTEN** at this time. (See Figure 1.)
9. Make sure the muffler assembly is parallel to the two headpipes then tighten the following in order, exhaust mount bracket to the frame, muffler assembly to the exhaust mount bracket, headpipe flanges to the motor (slowly tighten opposing nut) and muffler clamps. (NOTE: If the muffler clamps are slid to far up the muffler or past the two slots, the clamps will not tighten.)
10. On the front and rear heatshields, unscrew the remaining hose clamps and feed the tail end of the clamp through the clips on the inside. The larger clamps are to be placed at the rear of the heatshield so they clamp over the muffler assembly. The screw end of the hose clamps should be accessible for tightening but not visible when the heatshields are mounted to the pipes. (See Figure 3.)

* *Cobra recommends you always wear a helmet while riding. Please never operate your motorcycle while under the influence of alcohol and/or drugs. Enjoy the new look of your motorcycle and please ride safely.*

Anything's Possible.

11. To install the front heatshield, first slide the rear portion of the heatshield over the muffler, continue to slowly slide it forward pushing the front of the shield gently into place between the frame and motor (Hint: Spread the hose clamps apart slightly to make it easier to slide them over the muffler assembly and headpipes). Snug the heatshield clamps but **DO NOT TIGHTEN**. Repeat for rear heatshield.
12. Tighten the clamps on the heatshields and reinstall the right side rider footpeg mount and tighten bolts to factory specifications.

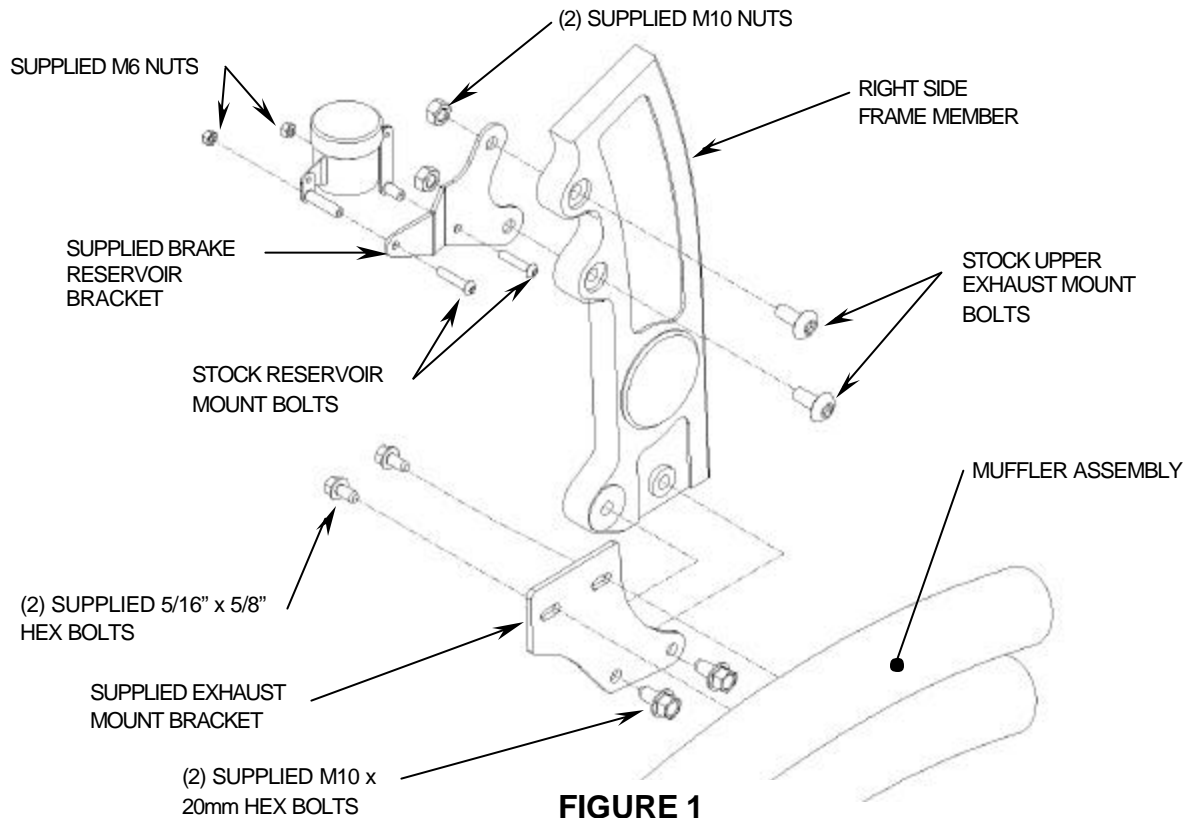


FIGURE 1

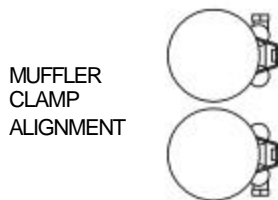


FIGURE 2

POSITION CLAMPS AS SHOWN
FRONT VIEW



FIGURE 3

Important: It is recommended that you install a Cobra Fi2000 Digital Fuel Processor with your Cobra exhaust system (part# 92-1772 and part# 92-1772-50 for CA/50 state models). Cobra is not responsible for the performance of any other fuel management system used with Cobra exhaust systems.

Before starting your engine remove all fingerprints from chrome with a quality wax or chrome polish. Failure to do so can cause discoloration. Due to fluctuations in fuel injection settings, timing, etc., Cobra Engineering does not warrant against chrome discoloration.