

COBRA

Items Supplied >

- 1 - Front Head Pipe
- 1 - Rear Head Pipe
- 2 - Mufflers
- 2 - Muffler Clamps #27-61MSC
- 1 - Front Heat Shield w/clamps
- 1 - Rear Heat Shield w/clamps
- 1 - Bar Mounting Bracket
- 2 - 5/16" Hex Nuts
- 4 - 5/16" Flat Washers
- 2 - 5/16" x 1 1/4" Hex Bolts
- 4 - 5/16" x 5/8" Hex Bolt
- 2 - Slider Brackets

Application >

HONDA ACE 750 98-03

Instruction Manual >

1771 & 1971

Page 1 of 2

PRIOR TO INSTALLATION, MAKE SURE YOUR STOCK GASKETS ARE IN GOOD SHAPE. IF YOU HAVE ANY DOUBTS AS TO THEIR CONDITION, REPLACE THEM.

1. Remove your stock exhaust system and large muffler bracket.
2. Remove mufflers from box and set them on a flat surface parallel with each other. Make sure the brackets are pointing up and the small ends of the mufflers are to your right. Locate the two slider brackets in the hardware kit. Place one slider bracket inside each muffler bracket with the flat side of the bracket pointing up (see figure 3)
3. Remove the exhaust mounting bracket from the box and place on top of the muffler brackets with the frame mounting bracket up and to your right (see Figure 1). Install the four 5/16 x 5/8 bolts through the mounting bracket and into the slider bracket but **DO NOT TIGHTEN**. Locate the two cardboard gauges and place them between the mufflers to help hold the mufflers parallel. (refer to figure 2). Make sure the mufflers are even on the exit end and the mounting bracket is in the middle of the muffler brackets and tighten the bolts.
4. Install the front and rear head pipe using the stock acorn nuts but **DO NOT TIGHTEN**.
5. Slide one supplied clamp #27-61MSC onto each muffler and position as shown in figure 3.
6. Slide the prepared muffler assembly onto the head pipes making sure the supplied cobra bar mounting bracket is on the outside of the frame mounting holes. Install the two supplied 5/16 x 1 1/4 hex bolts through the supplied washers, bar mounting bracket, motorcycle frame, washers and into the supplied nuts but **DO NOT TIGHTEN**.
7. Remove the chrome portion of the rider right footpeg assembly, to ease heatshield installation, and set aside for future installation.
8. Unscrew the five remaining hose clamps and feed the tail end of the clamp through the clips on the inside of the heat shields. The screw end of the hose clamp should be accessible for tightening but not visible when the heat shields are mounted to the pipes.
9. Place the heat shields onto the head pipes snapping the rear of the shield onto the muffler as show in Figure 3.
10. Snug the heat shield clamps onto the head pipes but **DO NOT TIGHTEN**. Rotate the muffler clamp so it doesn't interfere with the heat shield but is still accessible to tighten.
11. Make sure the system is properly aligned and mufflers are parallel. (NOTE: If the clamps are slid to far up on the muffler or past the three slots, the clamps will not tighten.)

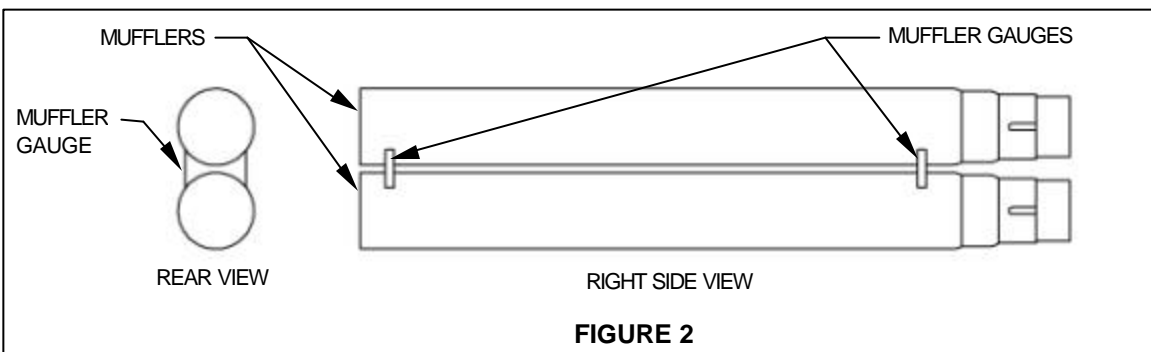
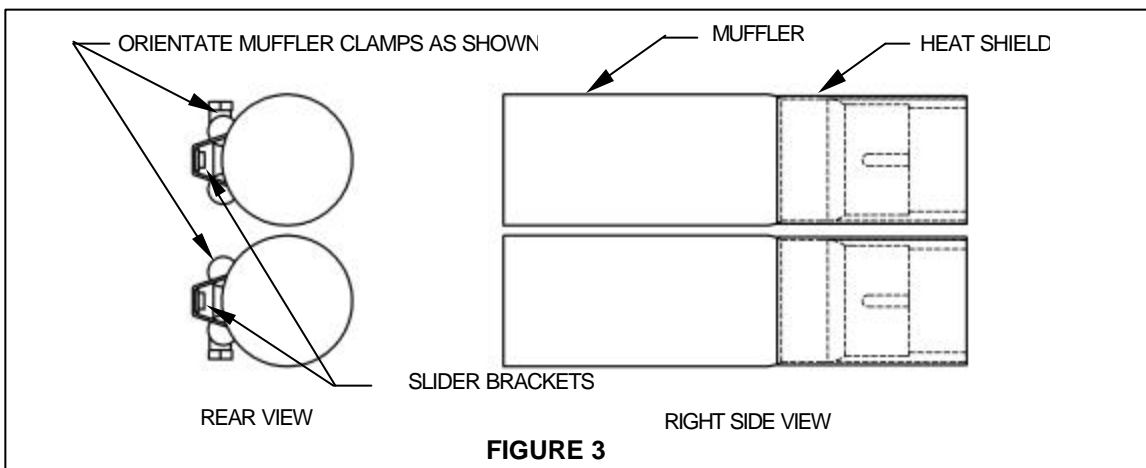
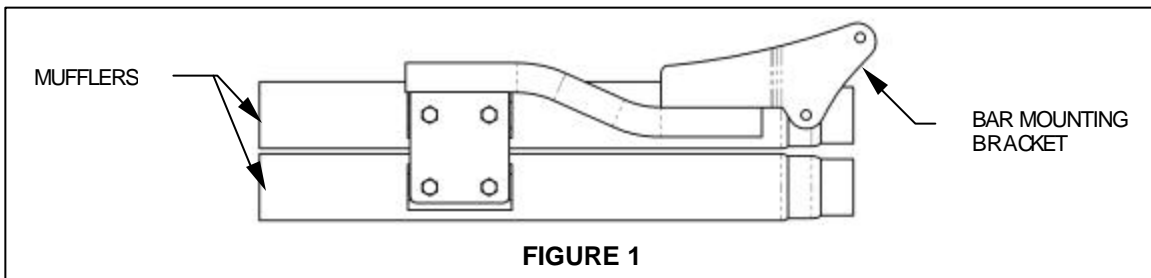
Before starting your engine remove all fingerprints from chrome with a quality wax or chrome polish. Failure to do so can cause discoloration. Due to fluctuations in carburetor settings, timing, etc., Cobra Engineering does not warrant against chrome discoloration.

** Cobra recommends you always wear a helmet while riding. Please never operate your motorcycle while under the influence of alcohol and/or drugs. Enjoy the new look of your motorcycle and please ride safely.*

Anything's Possible.

12. Tighten the head pipes making sure to tighten evenly. Now, tighten the muffler clamps.
13. Remove the cardboard gauges and tighten the heat shield clamps and bracket mounting bolts.
14. Reinstall the chrome portion of the rider right footpeg assembly and torque all removed hardware to factory specifications.
15. Make sure all hardware is tight before starting your motorcycle.

IMPORTANT: It is recommended that you re-jet your bike with a Cobra Jet Kit, available from Cobra part #92-1271.



Before starting your engine remove all fingerprints from chrome with a quality wax or chrome polish. Failure to do so can cause discoloration. Due to fluctuations in carburetor settings, timing, etc., Cobra Engineering does not warrant against chrome discoloration.