

Items Supplied >

- 1 - Front & Rear Exhaust Assembly
- 1 - Exhaust Mounting Bracket
- 1 - Regulator Bracket
- 4 - 5/16" x 5/8" Hex Bolt
- 1 - 10mm Fine Thread Bolt
- 1 - 10mm Spring Washer
- 1 - 3/8(16) x 1" Hex Bolt
- 1 - 3/8 Nut
- 1 - 3/8 Washer
- 2 - Slider Brackets

Application(s) >

HONDA VTX1800C/N/R/S/F 02-08

Instruction Manual >

1675SC / 1676SC

Page 1 of 2

PRIOR TO INSTALLATION, MAKE SURE YOUR STOCK HEAPIPE GASKETS ARE IN GOOD SHAPE. IF YOU HAVE ANY DOUBTS AS TO THEIR CONDITION, REPLACE THEM.

Read all instructions carefully and completely before installing your new exhaust system

1. Remove your stock exhaust system and large muffler bracket. Remove regulator from stock exhaust bracket but leave wiring harness connected. Mount the regulator to supplied regulator bracket as shown in fig. 1. Use supplied 3/8" x 1" bolt to secure to frame using supplied washer and nut as shown in fig. 1.

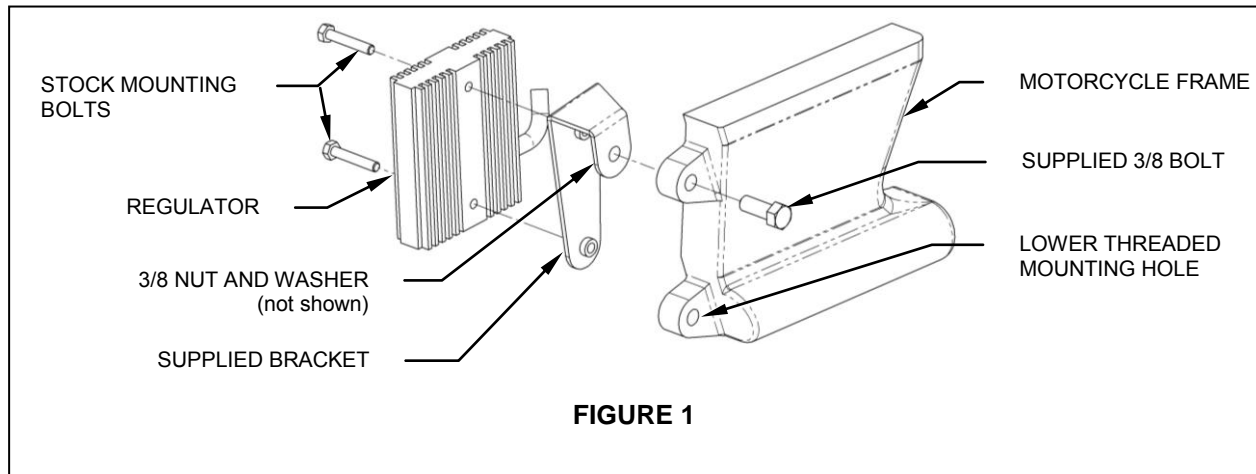


FIGURE 1

2. Remove exhaust mounting bracket from the box. Line up bottom hole of mounting bracket with the threaded mounting hole on the frame (refer to fig. 1) and install supplied 10mm fine thread bolt and 10mm spring washer but do not tighten. **Note:** Make sure 10mm bolt threads into frame prior to installation to avoid damage to threads.
3. Remove front muffler and heatshield assembly from box. Loosen right front foot peg / floorboard assembly to help provide installation clearance for pipe. Slide front head pipe with heat shield through footpeg / floorboard assembly and bolt to cylinder using stock acorn nuts. Do not tighten.
4. Place a (supplied 2 hole) slider bracket inside the muffler bracket and bolt into place using the supplied 5/16" bolts, but **DO NOT TIGHTEN.**

*** Cobra® recommends you always wear a helmet while riding. Please never operate your motorcycle while under the influence of alcohol and/or drugs. Enjoy the new look of your motorcycle and please ride safely.**

5. Remove rear muffler and heatshield assembly from box and install onto bike using stock cylinder acorn nuts, and supplied 2 hole slider bracket but **DO NOT TIGHTEN**.
6. Make sure the system is properly aligned and the heatshields are parallel. Tighten headpipe cylinder bolts making sure to tighten evenly.
7. Tighten the muffler mounting bracket to the frame, then mufflers to the muffler mounting bracket.
8. Your Cobra Engineering exhaust is mostly pre assemble for your convenience. Although the heatshields and tips are in place they will need to be tightened. The tips will rotate slightly for adjustment, make sure the tips are aligned on the same plane with each other then using a 7/16" wrench on nut inside the pipe and allen wrench on the outside tighten both tips in place.
9. Now tighten heatshields trying to make sure clamps are not visible.
10. Retighten to factory specifications the footpeg / floorboard assembly and all hardware to make sure it is tight.

Note: If your motorcycle came equipped with an O2 sensor in the stock exhaust you will need to install a Cobra O2 sensor removal kit part number 92-1100.

Important: It is recommended that you install a Cobra Fi2000® Digital Fuel Processor with your Cobra exhaust system; **part #92-1650**. Cobra is not responsible for the performance of any other fuel management system used with Cobra exhaust systems.

Before starting your engine remove all fingerprints from chrome with a quality wax or chrome polish. Failure to do so can cause discoloration. Due to fluctuations in carburetor settings, timing, etc., Cobra Engineering does not warrant against chrome discoloration.

California does not allow the use of aftermarket exhaust systems that remove original equipment catalysts, (except for racing use only) unless the Air Resources Board has issued an Executive Order for that system.