

COBRA

Items Supplied >

- 1 – FRONT EXHAUST ASSEMBLY W/ HEATSHIELD
- 1 – REAR EXHAUST ASSEMBLY W/ HEATSHIELD
- 1 – EXHAUST BRACKET
- 4 – CLAMPS, HS-24
- 2 – CLAMPS, HS-28
- 4 – BOLT, HEX 5/16-18 x 5/8"
- 2 – SCREW, BUTTON 1/4-20 x 3/8"
- 2 – BILLET MUFFLER TIPS

Application(s) >

Honda VT1100 Sabre 00-07

Instruction Manual >

1623

Page 1 of 2

PRIOR TO INSTALLATION, MAKE SURE YOUR STOCK HEAPIPE GASKETS ARE IN GOOD SHAPE. IF YOU HAVE ANY DOUBTS AS TO THEIR CONDITION, REPLACE THEM.

Read all instructions carefully and completely before installing your new exhaust system

1. Remove stock exhaust system and remove the large muffler mount secured with two bolts, retain bolts for later use.
2. Loosen and move the right side footpeg assembly out of the way to ease installation of the exhaust.
3. Remove the exhaust-mounting bracket from the box and mount it to the motorcycle frame using the stock bolts, **DO NOT TIGHTEN** at this time. (See Figure 1)
4. Install the front and rear pipes on to the motorcycle using the stock acorn nuts and supplied 5/16" flange bolts but **DO NOT TIGHTEN** at this time.
5. Make sure the front and rear exhaust assemblies are parallel to the ground then tighten the following in order, exhaust bracket to the frame, head pipe flanges to the motor (slowly tighten opposing nut), exhaust assembly to the exhaust bracket.
6. Unscrew the remaining hose clamps and feed the tail end of the clamp through the clips on the inside of the heat shields. The screw end of the hose clamp should be accessible for tightening but not visible when the heat shields are mounted to the pipes.
7. To install the front heatshield, first slide the rear portion of the heatshield over the muffler, continue to slowly slide it forward pushing the front of the shield gently into place between the frame and motor (Hint: Spread the hose clamps apart slightly to make it easier to slide them over the muffler assembly and head pipes). Snug the heatshield clamps but **do not tighten**.
8. Install the rear heatshield the same way as the front heatshield.
9. Install one billet tip on each heatshield making sure the ends of the tips are even with each other. Fasten the tips with the supplied 1/4" buttonhead screws making sure they snug up against the heatshield leaving no gap between the tip and heatshield when tightened. **If it is difficult to slide the tips into the heatshields loosen the clamps on the heatshield, failure to do this may cause damage to the chrome tips.**

CONTINUE TO NEXT PAGE!

** Cobra recommends you always wear a helmet while riding. Please never operate your motorcycle while under the influence of alcohol and/or drugs. Enjoy the new look of your motorcycle and please ride safely.*

10. Tighten the clamps on the heatshields.
11. Reinstall the right side footpeg assembly and side cover; tighten the bolts to factory specifications.
12. Make sure all the hardware (brackets, headpipes, heatshields, and baffles) have been tightened and cleaned before starting the motorcycle.

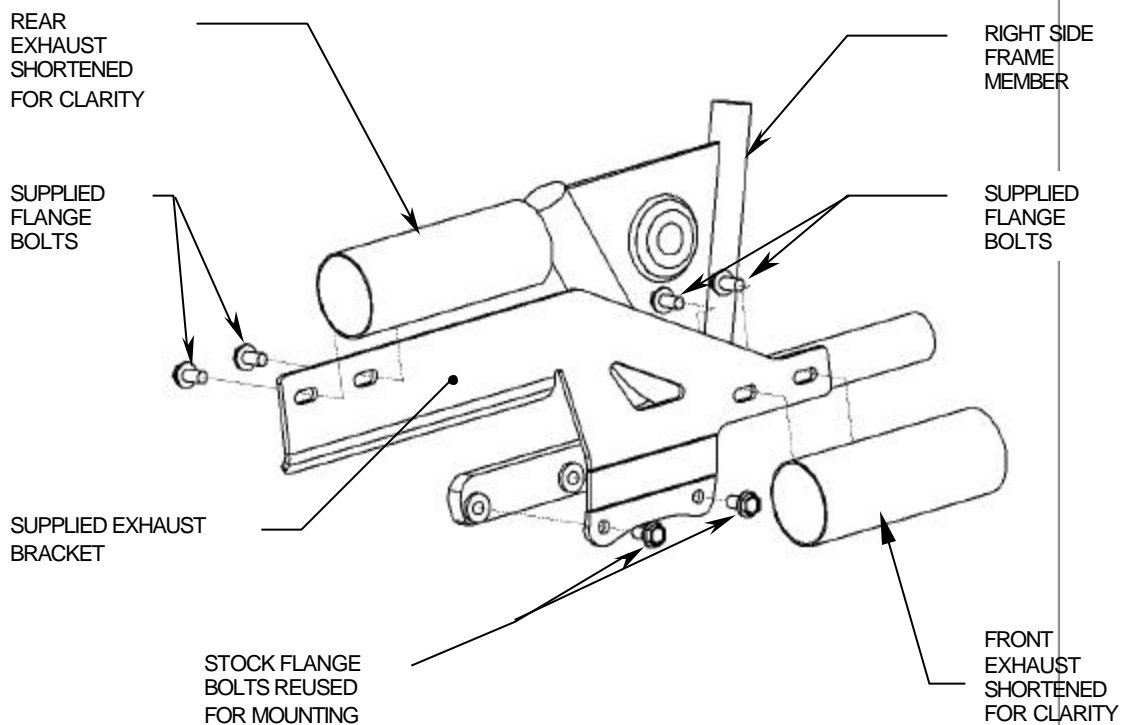


FIGURE 1

IMPORTANT: It is recommended that you re-jet your bike with a Cobra Jet Kit, available from Cobra, Part #: 92-1273.

Before starting your engine remove all fingerprints from chrome with a quality wax or chrome polish. Failure to do so can cause discoloration. Due to fluctuations in fuel injection/carburetion settings, timing, etc., Cobra Engineering does not warrant against chrome discoloration.