

COBRA

Items Supplied >

- 1 - Front & Rear Heat Shield w/clamps
- 1 - Set Of Chrome Mufflers
- 1 - Exhaust Mounting Bracket
- 1 - Regulator Bracket
- 5 - 5/16" x 5/8" Hex Bolt
- 1 - M10 Bolt
- 1 - M10 Nylock Nut
- 1 - Rubber Plug (Black)
- 2 - Slider Brackets

Application(s) >

Honda VTX1300C 04-09

Instruction Manual >

1180SC

Page 1 of 2

PRIOR TO INSTALLATION, MAKE SURE YOUR STOCK HEADPIPE GASKETS ARE IN GOOD SHAPE. IF YOU HAVE ANY DOUBTS AS TO THEIR CONDITION, REPLACE THEM.

Read all instructions carefully and completely before installing your new exhaust system

1. Remove stock mufflers from motorcycle.
2. Remove two M6 bolts from voltage regulator on muffler mounting bracket and set aside. (Make sure to leave the wiring harness connected to the regulator)
3. Remove two M10 bolts from muffler mounting bracket and remove from frame.
4. Mount the regulator to the supplied regulator bracket as shown in figure 1.
5. Mount exhaust bracket supplied to the lower inside exhaust mount on the frame and start supplied M10x40mm bolt through outside of frame and start the supplied M10 lock nut onto the bolt (see figure 1). **DO NOT TIGHTEN at this time.**
6. Attach the regulator bracket assembly from step 4 to inside of exhaust bracket with one 5/16 supplied bolt and tighten. (See figure 1)
7. Loosen the front and rear head pipe flange nuts that attach the flanges to the cylinders.
8. Install supplied muffler clamp onto inlet of upper muffler (see figure 2) and slide muffler onto rear head pipe. Place supplied slider bracket flat side up inside the mounting bracket of muffler. Start threading two supplied 5/16 bolts through exhaust mounting bracket into muffler slider bracket. **DO NOT TIGHTEN** at this time. **NOTE:** If holes do not align rotate the muffler/head pipe and exhaust bracket up as needed until the holes align.
9. Repeat step 7 on lower/front head pipe.
10. Rotate the muffler clamps as shown in figure 2. **DO NOT TIGHTEN.** The clamps should not be pushed back past the slots or the muffler will not tighten on the head pipe.
11. Make sure the mufflers are parallel to each other and tighten the M10 bar mount bolt and then the 5/16 bolts on the back of each muffler. Tighten the clamps on the front of each muffler. Place the supplied plastic plug into exposed bolt hole on the frame (see figure 1).
12. Unscrew the hose clamps and feed the tail end of the clamp through the clips on the inside of each heat shield. The screw end of the hose clamp should be accessible for tightening, but not visible when the heat shield is mounted to the pipe.
13. Snap the lower heat shield over front muffler body and head pipe stock heat shield making sure the short straight of the heat shield is to the front and align the top edge of both heat shields. (See figure 3). Tighten clamp.
14. Snap upper heat shield over muffler/stock heat shield and align top edge of new heat shield with stock heat shield (see figure 3) Tighten hose clamp.

*** Cobra® recommends you always wear a helmet while riding. Please never operate your motorcycle while under the influence of alcohol and/or drugs. Enjoy the new look of your motorcycle and please ride safely.**

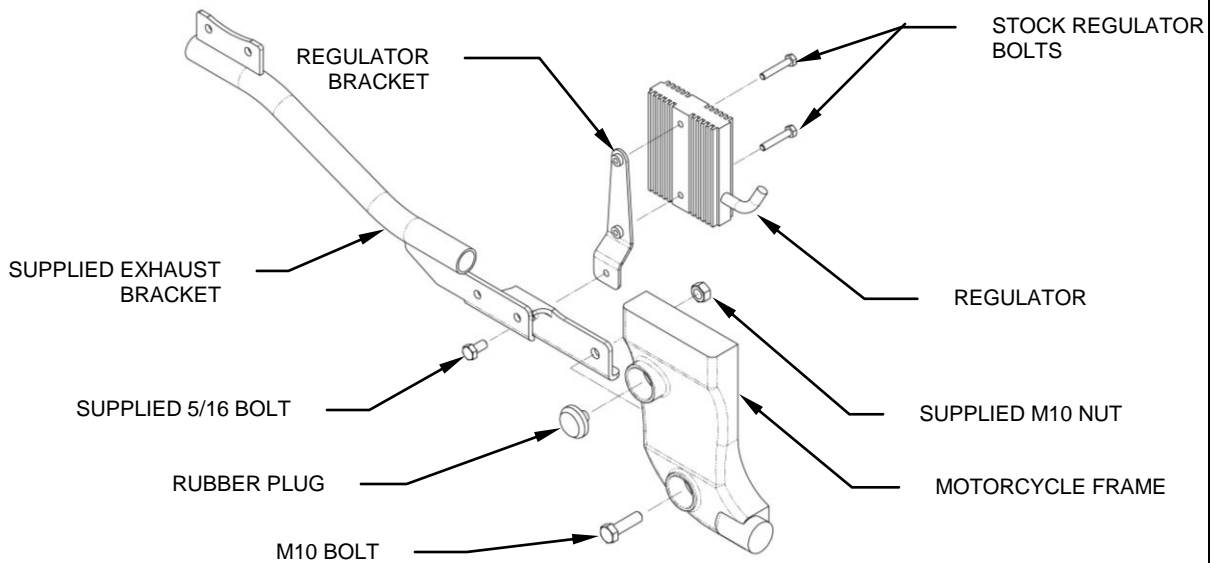


FIGURE 1

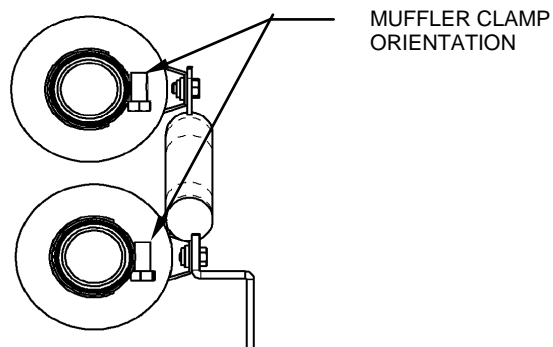


FIGURE 2

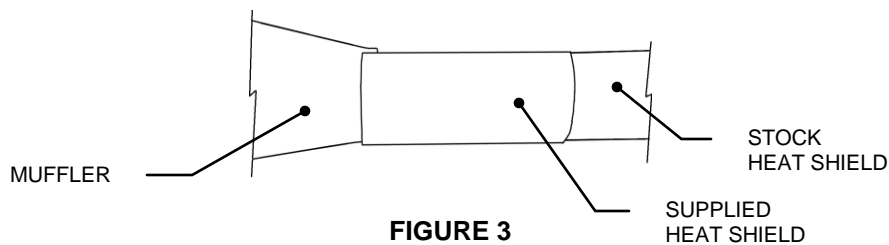


FIGURE 3

(View: looking down on muffler)

Important: It is recommended that you re-jet your bike with a Cobra Jet Kit, available from Cobra part #92-1279.

Before starting your engine remove all fingerprints from chrome with a quality wax or chrome polish. Failure to do so can cause discoloration. Due to fluctuations in fuel injection settings, timing, etc., Cobra Engineering does not warrant against chrome discoloration.

California does not allow the use of aftermarket exhaust systems that remove original equipment catalysts, (except for racing use only) unless the Air Resources Board has issued an Executive Order for that system.