

# COBRA

## Items Supplied >

- 1 - Right/Top Muffler
- 1 - Right/Bottom Muffler
- 1 - Left/Top Muffler
- 1 - Left/Bottom Muffler
- 2 - 268-51 Clamps
- 2 - 5/16" x 5/8" Hex Flange Bolt w/ Lock Patch

## Application >

HONDA MAGNA 750 94-03

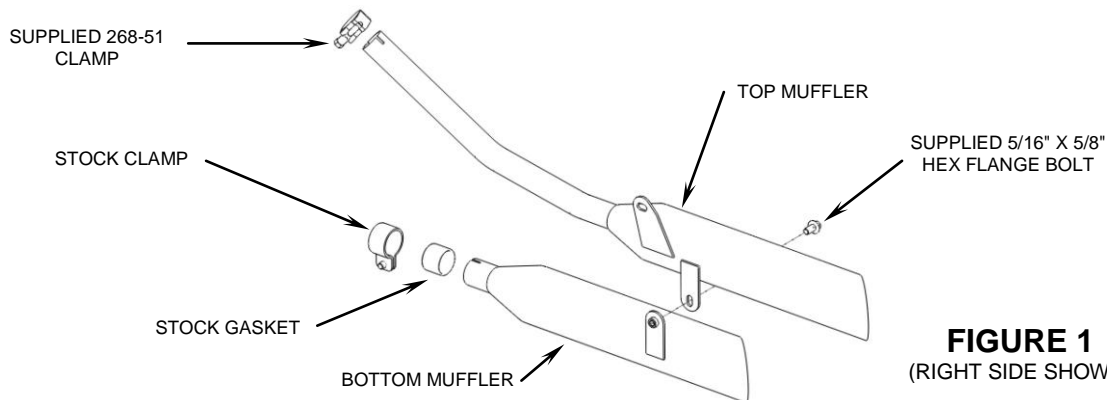
## Instruction Manual >

1164SC

Page 1 of 1

**PRIOR TO INSTALLATION, MAKE SURE YOUR STOCK GASKETS ARE IN GOOD SHAPE. IF YOU HAVE ANY DOUBTS AS TO THEIR CONDITION, REPLACE THEM.**

1. Remove your stock heatshields. A bolt on the back and a clip on the front hold on the heatshields. Remove the bolt, pull heatshield away from muffler in rear only then slide back to remove.
2. Remove all four mufflers from your stock exhaust system and save the mounting hardware. Remove the stock gaskets and clamps from the bottom mufflers and install onto the supplied bottom mufflers. Slide the (2) supplied 268-51 clamps onto the supplied top mufflers and make sure they are positioned as shown in Figure 1.
3. The supplied mufflers will look similar to your stock system. Make sure you have the correct mufflers on their respective sides. Install the bottom mufflers first then the top mufflers using the stock mounting hardware, but **DO NOT FULLY TIGHTEN** clamps or mounting hardware yet. See Figure 1.
4. Bolt top and bottom mufflers together using the (2) supplied 5/16" x 5/8" bolts.
5. Check mufflers for clearance then tighten all clamps followed by the mounting hardware and the (2) 5/16" bolts from Step 4.
6. Re-install stock heatshields and tighten bolts from Step 1.



**FIGURE 1**  
(RIGHT SIDE SHOWN)

**IMPORTANT:** It is recommended that you re-jet your bike with a Cobra Jet Kit, available from Cobra part #92-1164.

Before starting your engine remove all fingerprints from chrome with a quality wax or chrome polish. Failure to do so can cause discoloration. Due to fluctuations in carburetor settings, timing, etc., Cobra Engineering does not warrant against chrome discoloration.

\* Cobra® recommends you always wear a helmet while riding. Please never operate your motorcycle while under the influence of alcohol and/or drugs. Enjoy the new look of your motorcycle and please ride safely.

**Anything's Possible.®**