

Items Supplied >

- 1 – FLOORBOARD ASSEMBLY, LEFT
- 1 – FLOORBOARD ASSEMBLY, RIGHT
- 4 – M8 X 30mm HEX FLANGE BOLT
- 1 – M8 X 35mm HEX FLANGE BOLT
- 1 – ALUMINUM SPACER

Application(s) >

HONDA SABRE	2010-2013
STATELINE	2010-2013

Instruction Manual >

06-1634 / 06-4134

Page 1 of 1

Your Floorboards will install in just a few minutes using common tools. Read all instructions carefully and completely before installation

1. Remove and save the M8 bolt, washer and nut from the shift lever on the left footpeg mount. Remove and discard the (2) M8 bolts and spacers from the left footpeg mount; remove the footpeg assembly.
2. Remove and discard the M8 bolt securing the horn assembly to the horn mount bracket. Place the horn assembly onto the backside of the horn mount bracket with the spacer between them; secure with the supplied M8 x 35mm bolt. See Figure 1.

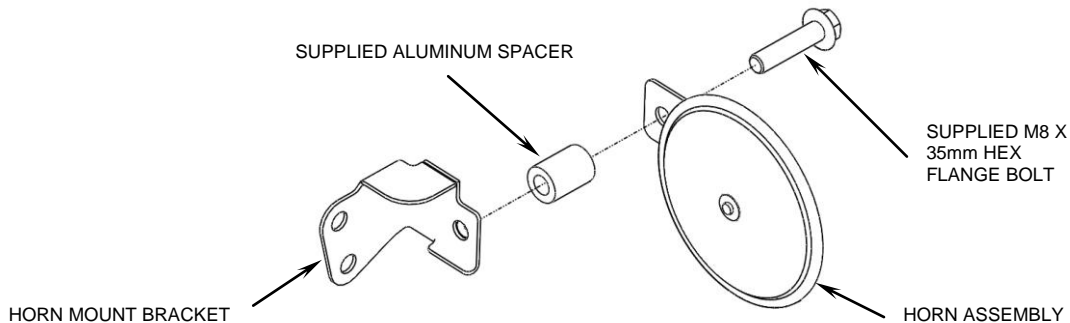


FIGURE 1

3. Install the shift lever onto the left Cobra floorboard mount with the stock hardware, in the same manner as stock (with the stock washer between the floorboard mount and shift lever). Install the left floorboard assembly to the frame with (2) supplied M8 x 30mm bolts but **DO NOT TIGHTEN**.
4. Remove and discard the (2) M8 bolts and spacers from the right footpeg mount; remove the footpeg assembly.
5. Install the right Cobra floorboard assembly to the frame with the supplied M8 x 30mm bolts.
6. Tighten all bolts to factory torque specifications.
7. Check that the horn works properly.

* Cobra® recommends you always wear a helmet while riding. Please never operate your motorcycle while under the influence of alcohol and/or drugs. Enjoy the new look of your motorcycle and please ride safely.