

# COBRA

## Items Supplied >

- 1 – Lightbar Assembly
- 2 – 8mm X 50mm Flange Bolts (use with VTX1300)
- 2 – Spacers, Short Alu. .650 in. (use with VTX1300)
- 2 – 8mm X 55mm Flange Bolts (use with VTX1800)
- 2 – Spacers, Long Alu. 1.190 in. (use with VTX1800)
- 2 – Push On Terminal
- 1 – Black Power Wire W/Blue Quick Splice Connector
- 3 – Zip Ties

## Application(s) >

- Honda VTX1800 C/R/S 02-07
- Honda VTX1300 R/S 03-09

## Instruction Manual >

04-0151

Page 1 of 2

**Read your installation instructions completely before beginning. This light bar can be installed in just a few minutes using common tools. It is recommended however, that a qualified mechanic or technician install this product.**

1. Remove (2) Phillips head screws from headlight and set aside. Remove headlight from housing, unplug and set aside.
2. Locate left & right turn signal wires inside headlight housing and disconnect.
3. On VTX 1300 models, remove the turnsignal bar with turn signals from the motorcycle. Once the bar is removed, remove the four M6 Phillips head screws from the bar, this will allow the turnsignals to be removed from the bar. Once the turnsignals are removed from the bar, remove the M6 allen bolt attaching the turnsignal to the angle bracket. Retain the left and right turnsignals, as well as the M6 allen bolts for later use. None of the other components will be reused. **Note:** Mark with tape which turnsignal is left and right for reinstallation later.
4. On VTX 1800 models, unbolt turnsignal clamps from forks, once the clamps are removed, remove the M6 allen bolt retaining the turnsignal to the stock mounting clamp. Retain this M6 allen bolt along with the turnsignal for later use. The mounting clamps and other bolts will not be reused. **Note:** mark with tape which turnsignal is left and right for reinstallation later.
5. Install the turnsignals onto the Cobra lightbar using stock M6 allen bolts, be sure to install the turn signals on the proper side from which they were removed, see Figure 1. Be sure not to pinch the turnsignal wires.
6. On both VTX 1300 and 1800 remove (2) 8mm bolts & nuts from headlight mounting bracket and lower triple clamp and set aside.
7. **For VTX1300** install (2) new 8mm x 50mm flange bolts from the top through the headlight-mounting bracket, and through the lower triple clamp.  
**For VTX1800** install (2) new 8mm x 55mm flange bolts from the top through the headlight-mounting bracket, and through the lower triple clamp.
8. Install Cobra lightbar under the bottom triple clamp by first sliding the provided spacers over the 8mm bolts protruding through the bottom of the triple clamp, then the light bar followed by the 8mm nuts removed in Step 6. **Note: For VTX1300 use short spacers supplied, For VTX1800 use long spacers provided.**
9. Align lightbar and main headlight housing then tighten according to factory torque specifications.
10. Rotate spotlights forward then align with main headlight and tighten.
11. Route the left & right turn signal harnesses through the back of the headlight housing and connect them back into their original connectors.

*\* Cobra recommends you always wear a helmet while riding. Please never operate your motorcycle while under the influence of alcohol and/or drugs. Enjoy the new look of your motorcycle and please ride safely.*

**Anything's Possible.**

## INSTRUCTIONS CONTINUED

12. Route the left spotlight wire under the lightbar towards the light bar switch, take right spotlight wire and twist together with the left one. Insert the two (twisted together) wires into the supplied push on terminal and crimp with a crimping tool. Connect this to one of the poles on the lightbar switch, it does not matter which one.
13. Connect the 20" power wire to the remaining pole on the lightbar switch. Route power wire through the back of the headlight housing. Loosely pull slack out of wire and using the 3 supplied zip ties wrap spotlight, turn signals, and power wire to the lightbar.
14. **For VTX1300 & VTX1800 Retro:** Find the 3 wire accessory lead with the flat 3 wire connector inside the headlight housing. Connect the **Black** power wire from the lightbar switch to the **Black w/Brown tracer** wire using the supplied (blue) quick splice connector.  
**For VTX1800:** Trace harness from speedometer into headlight housing. Locate **Black w/Brown tracer** wire near white connector (speedometer light wire). Connect the **Black** power wire from the lightbar switch to the **Black w/Brown tracer** wire using the supplied (blue) quick splice connector.
15. Reinstall headlight with (2) Phillips screws removed in Step 1.
16. Check to make sure your handlebars turn from lock to lock without any stretching or binding of any wires. Check the alignment of all your lighting. Make sure everything is in proper working order before riding vehicle.

**CAUTION!**  
DO NOT PINCH  
TURN SIGNAL WIRE  
WHEN TIGHTENING  
BOLT

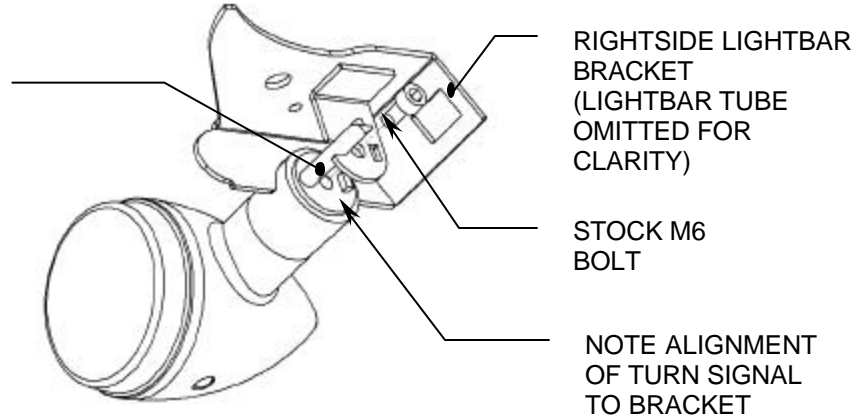


FIGURE 1