

COBRA

Items Supplied >

- 2 – FREEWAY BAR ASSEMBLIES
- 1 – UPPER MOUNTING BRACKET
- 2 – M8 X 35mm HEX BOLT
- 2 – M12 X 20mm HEX FLANGE BOLT

Application >

SUZUKI BOULEVARD C109R 08-09

Instruction Manual >

01-2350

Page 1 of 2

Before installing your new Cobra Freeway bar, read all instructions carefully.

1. Remove the (2) upper M8 bolts from the radiator and discard.
2. Remove the front M12 hex bolts from the left and right floorboard mount and set aside for later use.
3. Insert the (2) supplied M12 bolts through the holes of the upper freeway bar mount with the threads facing out. Insert the (2) supplied M8 x 35mm flange bolts through the center mounting holes, radiator and into the frame. Secure M8 bolts but **DO NOT TIGHTEN**. See Figure 1.
4. Install left side freeway bar with lower mounting bracket facing to the rear and insert the stock M12 bolt removed in Step 2 through mounting bracket, floorboard mount and into the frame. **DO NOT TIGHTEN AT THIS TIME**. See Figure 2.
5. Thread the supplied M12 bolt that is already inserted through the upper mounting bracket installed in Step 3 into the threaded end of freeway bar and tighten only hand tight.
6. Repeat Steps 4 and 5 on the right side of motorcycle.
7. Tighten all bolts starting with (2) M8 upper mounting bolts. Note: make sure bottom of bracket does not make contact and has clearance with top of the radiator cover. Tighten the left and right front floorboard/lower freeway bar mount M12 bolts and then the (2) upper freeway bar M12 bolts. Torque all bolts to there appropriate values.

Cobra Freeway Bars add style to you motorcycle. They are not designed to withstand a serious impact and may not protect you and/or your motorcycle in the event of a crash.

** Cobra recommends you always wear a helmet while riding. Please never operate your motorcycle while under the influence of alcohol and/or drugs. Enjoy the new look of your motorcycle and please ride safely.*

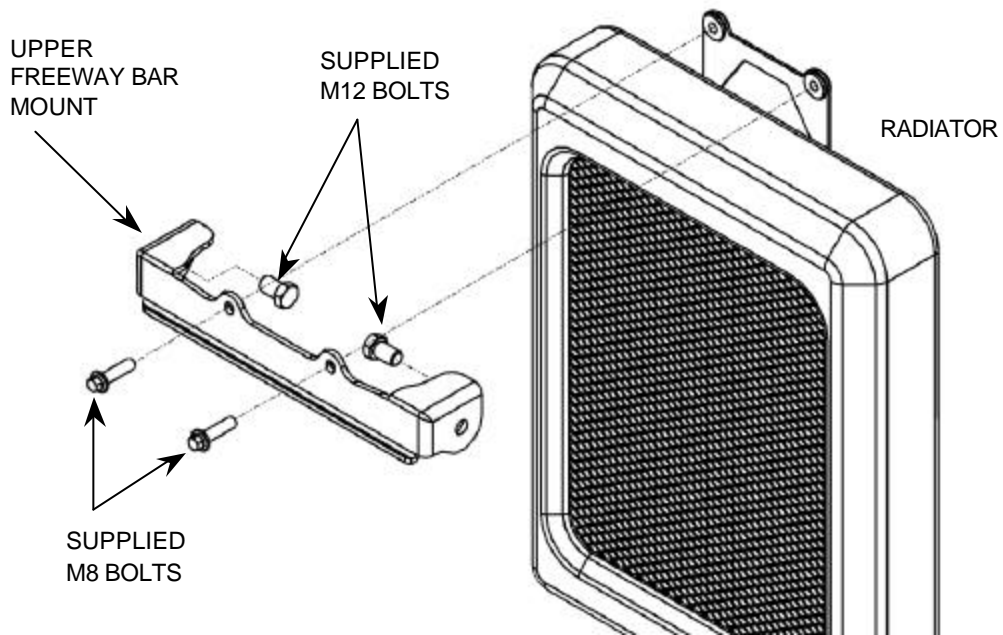


FIGURE 1

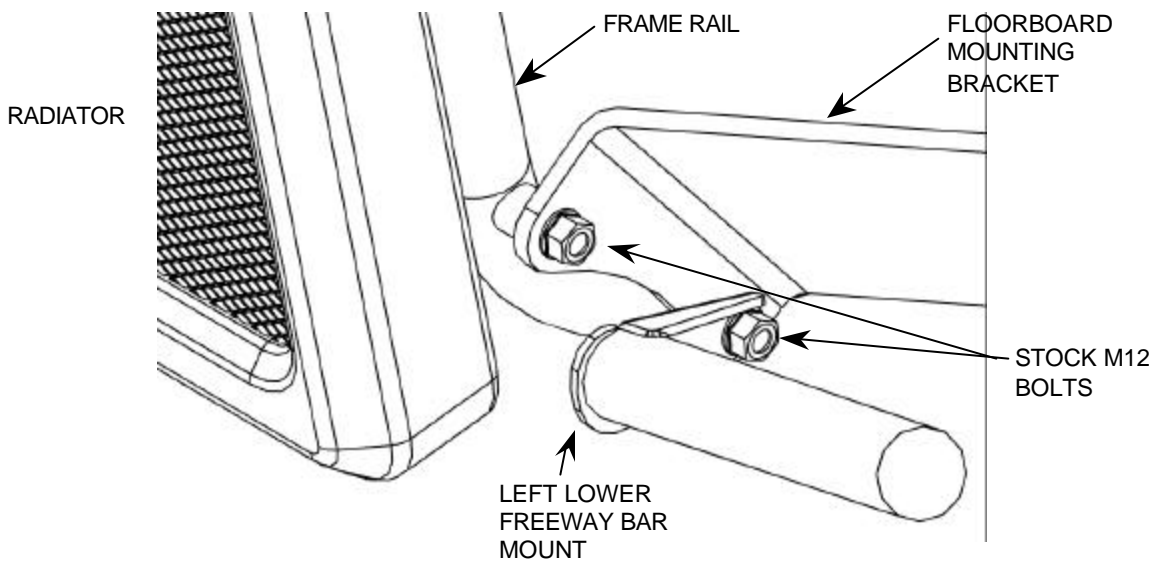


FIGURE 2

Anything's Possible.